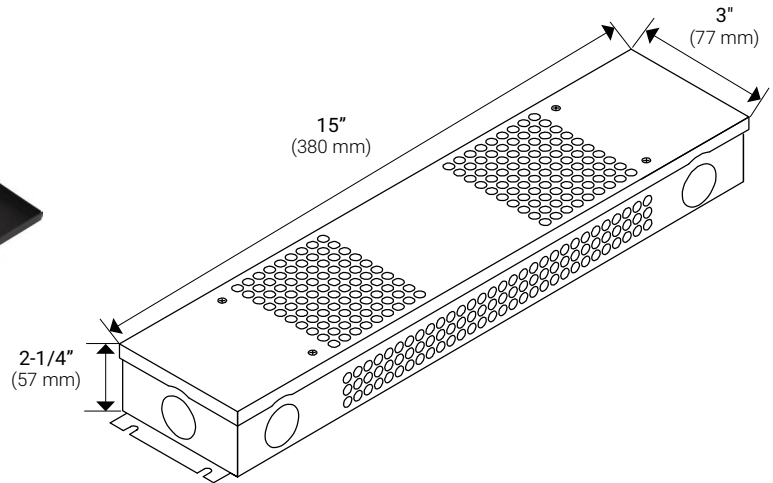


T-24V-DT120W-HW



120 WATT HARDWIRED POWER SUPPLY

PART NUMBER	DESCRIPTION	DIMENSIONS	CORD LENGTH (included separate)	VOLTS	AMPS
T-24V-DT120W-HW	120 watt, 24-volt hardwired power supply	15" x 3" x 2-1/4" 380 mm x 77 mm x 57 mm	39" (3 ft. 3 in.) 990.6 mm	24	5

FEATURES

- Power supply already located in a junction box
- 2-prong power cord included but not installed
- Dims on the 120 volt side with Magnetic Low Voltage (MLV) Dimmers
- 24-volt power supplies over 96 watts are UL Listed for commercial use, and are not UL Class 2 Listed for residential
- 3-year limited warranty
- Designed for indoor application

TECHNICAL INFORMATION

Series	Hardwired Power Supply Series
Input Voltage	120 volt AC
Output Voltage	24 volt DC
Output Wattage	120 watts
Dimmable	Dimmable (MLV)
Rating	UL Listed in USA/Canada
Rated Life	30,000 hrs
Mounting	Screw holes located in the four corners of junction box
Operating Temperature	-40°F to 140°F (-40°C to 60°C)
Environment	Dry location
Construction Material	Full protection plastic housing inside a metal junction box
Warranty	3 years

INSTALLATION LOCATIONS

- Above Cabinet / Open Soffits
- Interior Wall Cabinet
- Base Cabinets
- Open Covers
- Any Available & Accessible Outlets

DO NOT INSTALL IN AN ATTIC