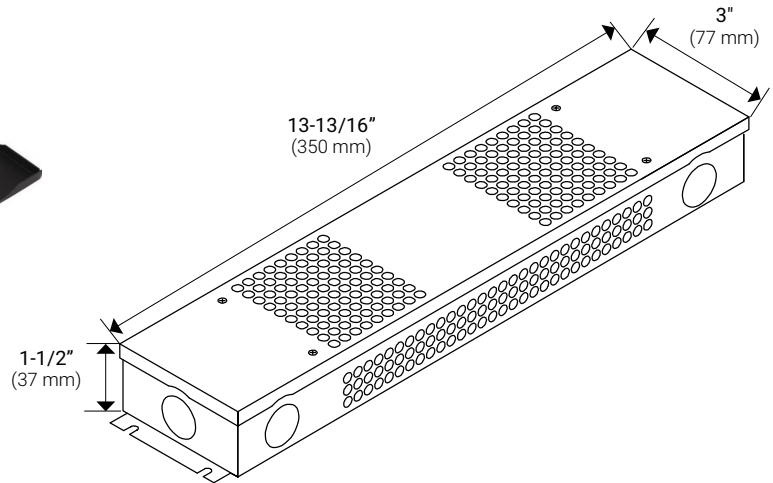


T-24V-DT30W-HW



## 30 WATT HARDWIRED POWER SUPPLY

PART NUMBER	DESCRIPTION	DIMENSIONS	CORD LENGTH (included separate)	VOLTS	AMPS
T-24V-DT30W-HW	30 watt 24-volt DC dimmable class 2 LED hardwired.	13-13/16" x 3" x 1-1/2" 350 mm x 77 mm x 37 mm	39" (3 ft. 3 in.) 991 mm	24	1.25

## FEATURES

- Power supply already located in a junction box
- 2-prong power cord included but not installed
- Dims on the 120 volt side with Magnetic Low Voltage (MLV) Dimmers
- 24-volt power supplies over 96 watts are UL Listed for commercial use, and are not UL Class 2 Listed for residential
- 3-year limited warranty
- Designed for indoor application

## TECHNICAL INFORMATION

<b>Series</b>	Hardwired Power Supply Series
<b>Input Voltage</b>	120 volt AC
<b>Output Voltage</b>	24 volt DC
<b>Output Wattage</b>	30 watts
<b>Dimmable</b>	Dimmable (MLV)
<b>Rating</b>	UL Listed in USA/Canada
<b>Rated Life</b>	30,000 hrs
<b>Mounting</b>	Screw holes located in the four corners of junction box
<b>Operating Temperature</b>	-40°F to 140°F (-40°C to 60°C)
<b>Environment</b>	Dry location
<b>Construction Material</b>	Full protection plastic housing inside a metal junction box
<b>Warranty</b>	3 years

## INSTALLATION LOCATIONS

- Above Cabinet / Open Soffits
- Interior Wall Cabinet
- Base Cabinets
- Open Covers
- Any Available & Accessible Outlets

**DO NOT INSTALL IN AN ATTIC**