



Power Supplies

12VDC COMPONENTS

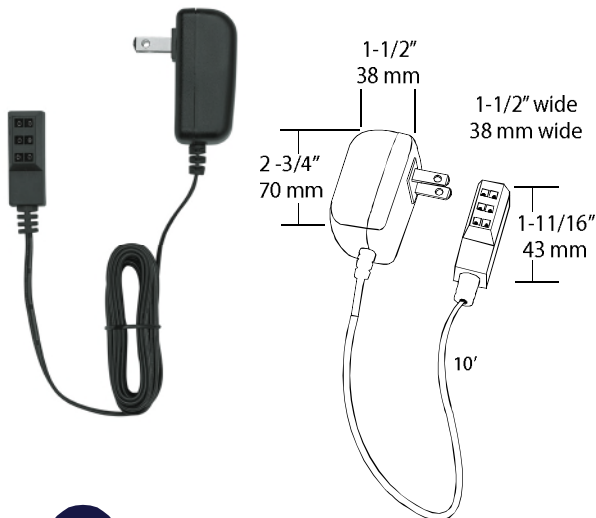


All product dimensions and specifications are subject to change without prior notice.

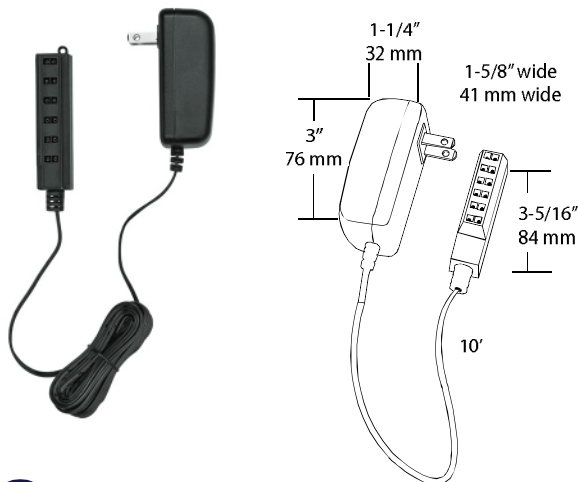
EquiLine Plug-in Power Supplies

- ✓ Compatible with all Tresco low voltage dimmers
- ⊘ **NOT** compatible with hardwire wall dimmers

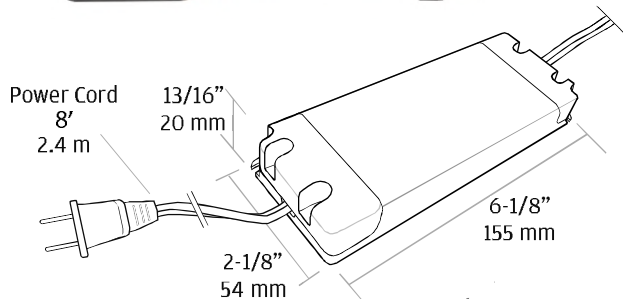
6W



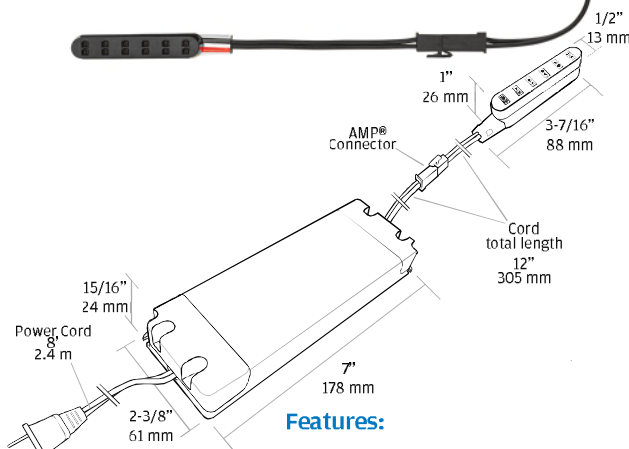
15W



NEW!
30W



NEW!
60W



Features:

- Short circuit protection*
- 12V DC output, constant voltage
- Overload protection*
- Dimmable on trailing edge (12V side)
- Class 2
- 2-Year Warranty



Part #	Description
L-DC-ELT6WP-CON-1	6W 12VDC Wall Mount Power Supply w/3 Snap Block*
L-DC-ELT15WP-CON-1	15W 12VDC Wall Mount Power Supply w/6 Snap Block*
L-DC-EQ30-1	30W 12VDC Power Supply w/6 Snap Block*
L-DC-EQ60-1	60W 12VDC Power Supply w/6 Snap Block*
L-TRANS-MNT-BL-1	Extra 6-Snap Mounting Block

Commercial Wall Dimmable Hardwire Power Supplies

All product dimensions and specifications are subject to change without prior notice.

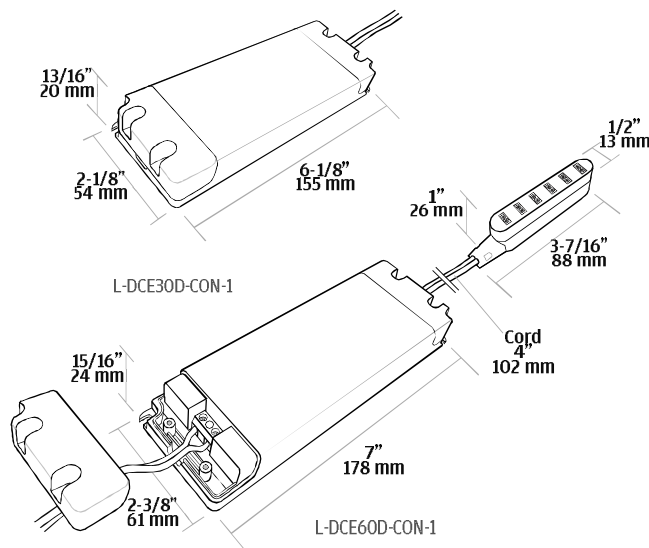
- ⊘ NOT compatible with low voltage dimmers
- ✓ Compatible with hardwired LED wall dimmers



L-DCE60D-CON-1

Features:

- Dimmable by standard LED wall dimmers (p. 453)
- Available in 30W, & 60W models
- Under 1" profile
- High power factor (Pf>.95)
- Continuous smooth dimming
- Wire directly into unit
- Electronic units are lower profile and generate less heat than magnetic transformers
- Quiet operation
- Works with all Tresco 12VDC dimmable LED fixtures*
- One 6-snap mounting block included
- Class 2 with short circuit and automatic reset



Part #	Description
L-DCE30D-CON-1	12VDC 30W Dimmable LED Power Supply
L-DCE60D-CON-1	12VDC 60W Dimmable LED Power Supply
L-TRANS-MNT-BL-1	Extra 6-Snap Mounting Block

Compatible Tresco Wall Dimmers (next spread).



Dimmable by LED compatible line voltage (120V) wall dimmers. Mounting block included. Requires electrician to install.

NEW!

Industrial Wall Dimmable Hardwire Power Supplies



60W (1x 60W output)

12VDC

180W (3x 60W output)



96W (1x 96W output)

24VDC

288W (3x 96W output)



Features:

Tough metal enclosure

Slim design, under 2" height

High power factor (Pf>.95)

Continuous smooth dimming

Hardwire compartment built-in unit

Short circuit protection*

Overcurrent protection

Overload protection*

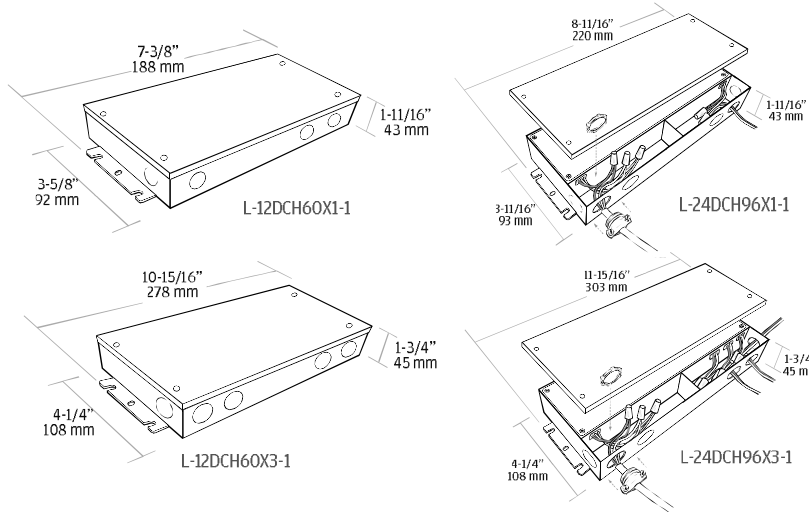
RFI protection

Class 2

* Automatic reset (no fuses)

NOT compatible with low voltage dimmers

Compatible with hardwired LED wall dimmers



Part #	Description
L-12DCH60X1-1	12VDC 60W Commercial/Industrial Metal Hardwire Dimmable Power Supply
L-12DCH60X3-1	12VDC 180W Commercial/Industrial Metal Hardwire Dimmable Power Supply
L-24DCH96X1-1	24VDC 96W Commercial/Industrial Metal Hardwire Dimmable Power Supply
L-24DCH96X3-1	24VDC 288W Commercial/Industrial Metal Hardwire Dimmable Power Supply

Does not include mounting block.

Compatible Tresco Wall Dimmers (next page).



120V LED Wall Dimmers

Lutron Diva® C•L™ Dimmer



150W

Lutron Diva® C•L™ Dimmer

- Large paddle switch with a captive linear-slide dimmer for a standard designer wallplate opening
- Preset dimmer
- Offers more reliable dimming performance over standard dimmers
- HED™ technology with advanced dimming circuitry designed for compatibility with most high-efficiency light bulbs
- Low-end adjustment dial

Lutron Skylark Contour C•L™ Dimmer

- On/off rocker switch with a captive linear-slide dimmer for a standard designer wallplate opening
- Switch returns light to preset light level
- Offers more reliable dimming performance over standard dimmers
- HED™ technology with advanced dimming circuitry designed for compatibility with most high-efficiency light bulbs
- Low-end adjustment dial

Lutron Skylark Contour C•L™ Dimmer



150W

Leviton 300W



300W

Leviton 300W

- 300W capacity
- Large paddle switch with a captive linear-slide dimmer for a standard designer wallplate opening
- Packaged with White, Ivory, and Light Almond color change kits
- Switch returns light to preset light level
- No neutral wire required for installation
- Adjustment switch to modify the minimum light level in order to maximize the dimming range if flickering occurs at lower dimming levels

Part #	Description
L-DVCL-153P-WH-1	Lutron Diva® C•L™ Dimmer w/out plate
L-CTCL-153P-WH-1	Lutron Skylark Contour C•L™ Dimmer w/out plate
L-DSL06-1LZ-1	Leviton 300W Dimmer

Compatible with Tresco 12VDC Wall Dimmable Power Supplies (previous pages)