

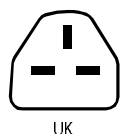


Commercial Grade Power Supplies

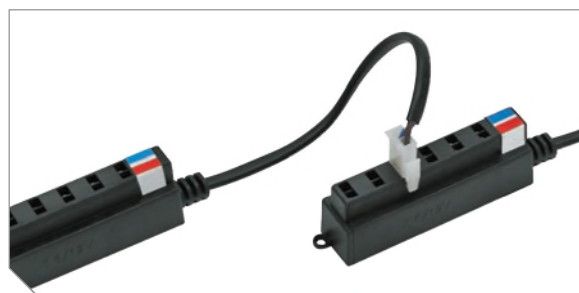
FC CCC UL CB CE PSE VI LPS

12V DC power supply is equipped with a mounting block that allows for easy snap-in connections and includes a standard 110/120V cord and plug.

Worldwide use 100V-240V



Other cord sets available upon request.



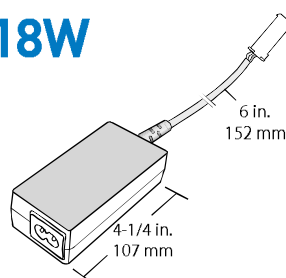
▶ One mounting block included. Add mounting blocks to utilize the full capacity of the power supply.

Features:

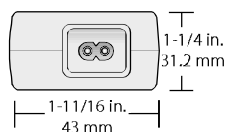
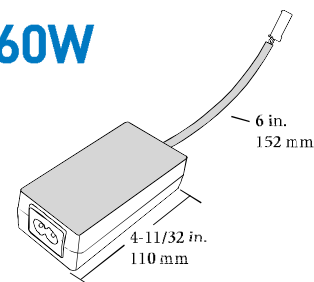
- ▶ Short circuit protection*
- ▶ 12V DC output, constant voltage
- ▶ Overcurrent protection
- ▶ Overload protection*
- ▶ RFI protection
- ▶ 50,000 hour life supply
- ▶ Dimmable on trailing edge (12V side)
- ▶ Class 2 or LPS
- ▶ Universal System allows you to mix all 12V lights



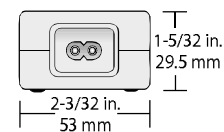
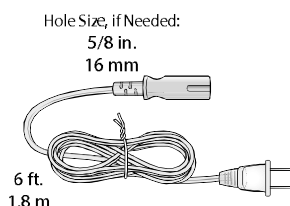
18W



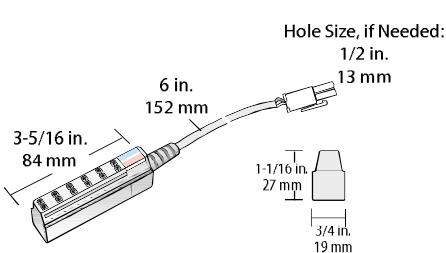
60W



Cord



Mounting Block



Part #	Description
L-DC-ELT18-CON-1	18W 12VDC Power Supply w/6 Snap Mounting Block*
L-DC-ELT60-CON-1	60W 12VDC Power Supply w/6 Snap Mounting Block*
L-TRANS-MNT-BL-1	Extra 6-Snap Mounting Block
L-DCT-EUPKT-BL-1	72" (1.8 m) EU Power Cord, Black
L-DCT-UKPKT-BL-1	72" (1.8 m) UK Power Cord, Black

* Automatic reset (no fuses)
All parts included with purchase of power supply.

Dimmable on trailing edge (12V side). Mounting block and power cord are included. Power supply specifications are subject to change.

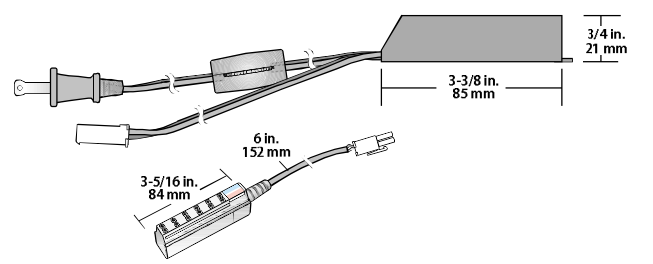
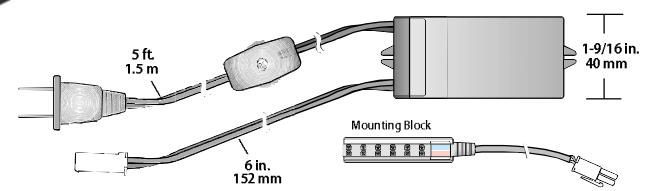
* No resistor necessary - works with all Tresco 12VDC LED fixtures.

12W



Features:

- ▶ Short circuit protection*
 - ▶ 12V DC output, constant voltage
 - ▶ Overload protection*
 - ▶ Dimmable on trailing edge (12V side)
 - ▶ Class 2
- * Automatic reset (no fuses)
 All parts included with purchase of power supply.
 * No resistor necessary - works with all Tresco 12VDC LED fixtures.



Part #	Description
L-DC-ELT12-CON-1	12W 12VDC Power Supply w/6 Snap Mounting Block

Wall Dimmable LED Hardwire Power Supply

Features:

- ▶ Dimmable by standard LED wall dimmers
- ▶ Available in 12W and 50W models
- ▶ Electronic units are lower profile and generate less heat than magnetic transformers
- ▶ Quiet operation (no humming)
- ▶ Works with all Tresco 12VDC dimmable LED fixtures*
- ▶ One 6-snap mounting block included
- ▶ No minimum load requirements
- ▶ Class 2 with short circuit and automatic reset

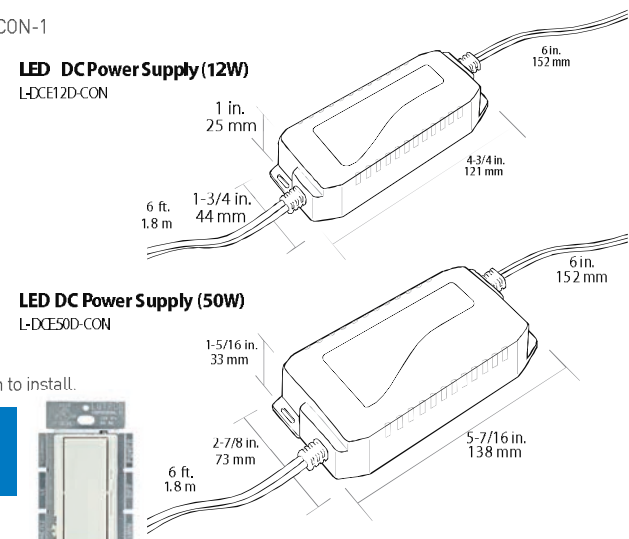


L-DCE12D-CON-1

L-DCE50D-CON-1

Part #	Description
L-DCE12D-CON-1	12VDC 12W Dimmable LED Power Supply
L-DCE50D-CON-1	12VDC 50W Dimmable LED Power Supply

Dimmable by traditional line voltage (120V) wall dimmers. Mounting block included.
 Dimmable by LED compatible line voltage (120V) wall dimmers. Mounting block included. Requires electrician to install.



Compatible Tresco Wall Dimmers on next page.

* No resistor necessary - works with all Tresco 12VDC dimmable LED fixtures.



Power Supplies

Commercial Plug-in Grade Power Supplies

12W



Class 2

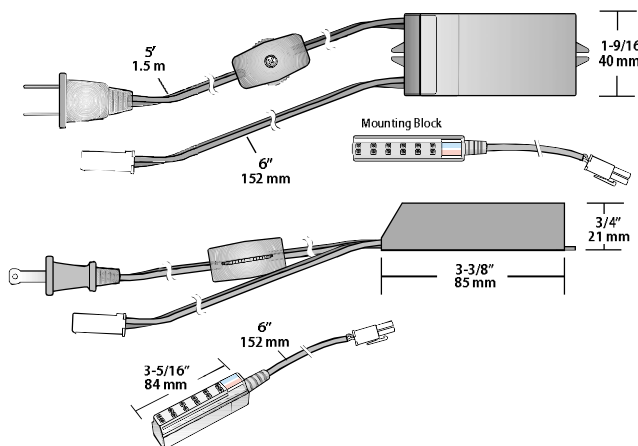


100V-120V

- ✓ Compatible with all Tresco low voltage dimmers
- ✗ NOT compatible with hardwire wall dimmers

Features:

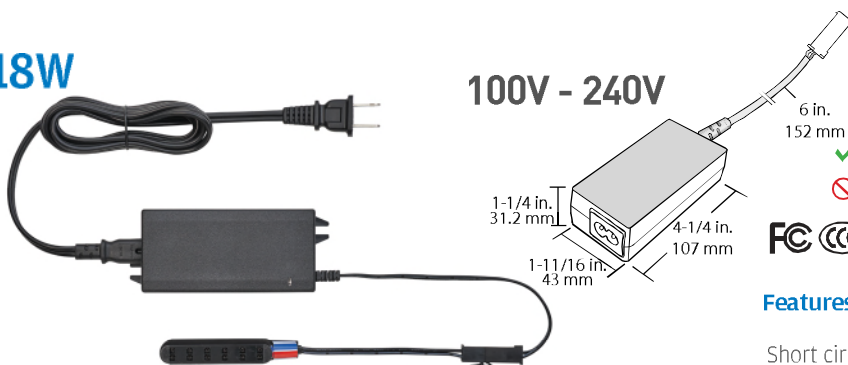
- Short circuit protection*
- 12V DC output, constant voltage
- Overload protection*
- Dimmable on trailing edge (12V side)
- Class 2
- * Automatic reset (no fuses)



Part #	Description	SLP
L-DC-ELT12-CON-1	12W 12VDC Power Supply w/6 Snap Mounting Block	
L-TRANS-MNT-BL-1	Extra 6-Snap Mounting Block	

18W

100V - 240V

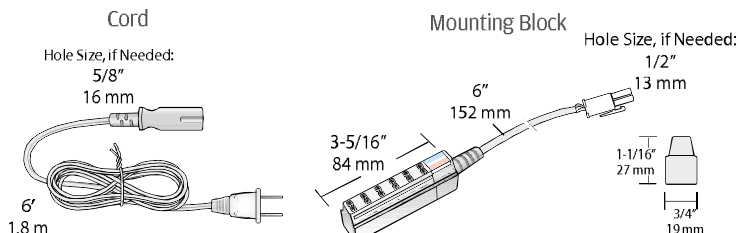


- ✓ Compatible with all Tresco low voltage dimmers
- ✗ NOT compatible with hardwire wall dimmers



Features:

- Short circuit protection*
- 12V DC output, constant voltage
- Overcurrent protection
- Overload protection*
- RFI protection
- Dimmable on trailing edge (12V side)



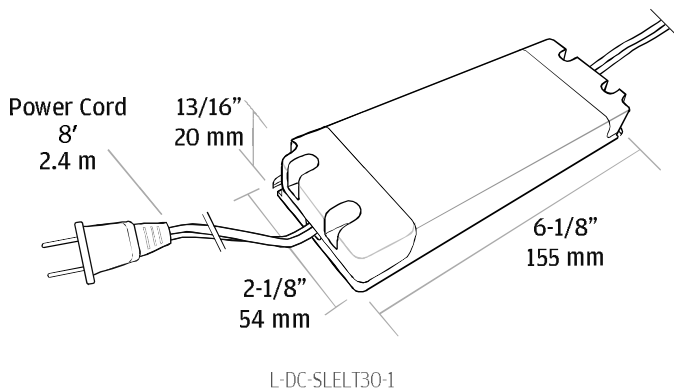
Part #	Description
L-DC-ELT18-CON-1	18W 12VDC Power Supply w/6 Snap Mounting Block*
L-TRANS-MNT-BL-1	Extra 6-Snap Mounting Block

* Automatic reset (no fuses)

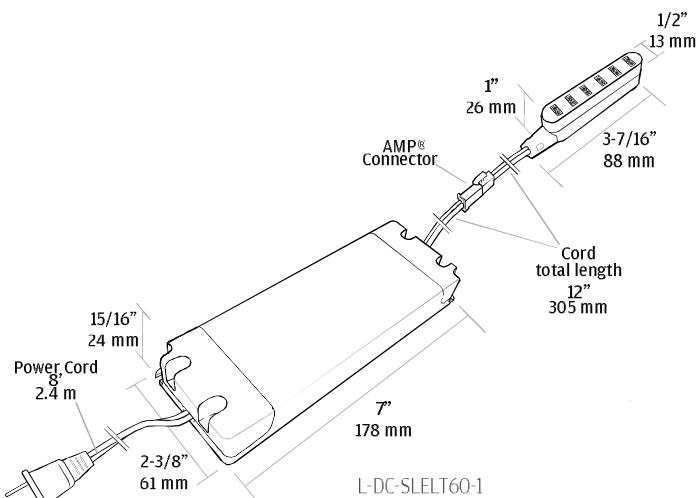
EU/UK plug ends available upon request.



NEW!
30W
100V - 277V



NEW!
60W
100V - 277V



Features:



High power factor (Pf>.95)

Slim design, under 1" height

Short circuit protection*

12V DC output, constant voltage

Overcurrent protection

Overload protection*

RFI protection

Dimmable on trailing edge (12V side)

Class 2

* Automatic reset (no fuses)



✓ Compatible with all Tresco low voltage dimmers
 ✗ **NOT** compatible with hardwire wall dimmers

Part #	Description
L-DC-SLELT30-1	30W 12VDC Power Supply w/6 Snap Mounting Block*
L-DC-SLELT60-1	60W 12VDC Power Supply w/6 Snap Mounting Block*
L-TRANS-MNT-BL-1	Extra 6-Snap Mounting Block

EU/UK plug ends available upon request.

