

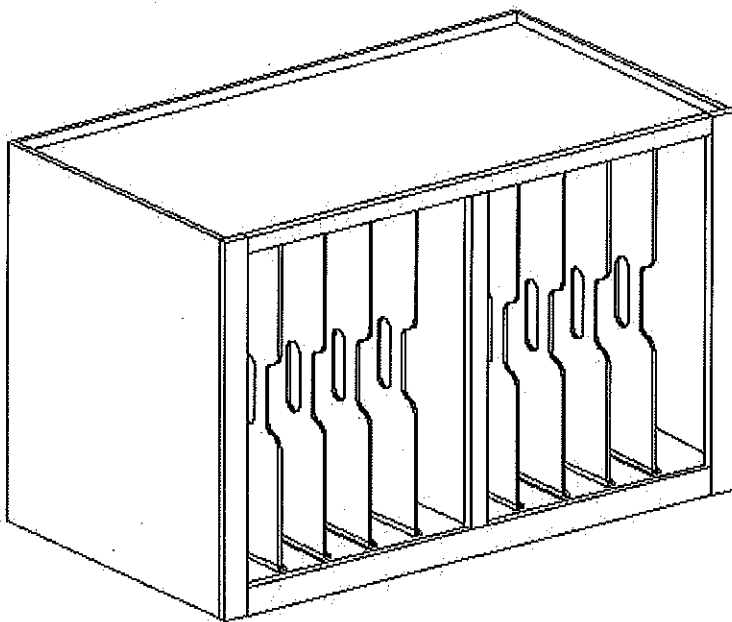


Omega National
P R O D U C T S

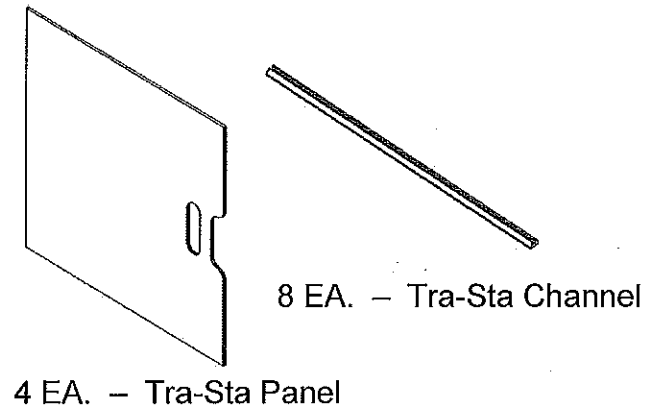
TRA-STA ORGANIZER

Important Notes

- Always read the instructions completely and carefully before beginning assembly.
- Remove and check contents for damage and/or missing parts. Keep the original carton and packing materials, which are required for any authorized adjustment by our dealers.



Parts:



Installation Instructions

Step 1: Position Panels in desired location in cabinet. (Note; Tra-Sta Panels and Channels may need to be trimmed per application.)

Step 2: Check for clearances and reposition as needed.

Step 3: Attach channels to cabinet top and floor with #4 X .5 Flat Head Wood Screws.