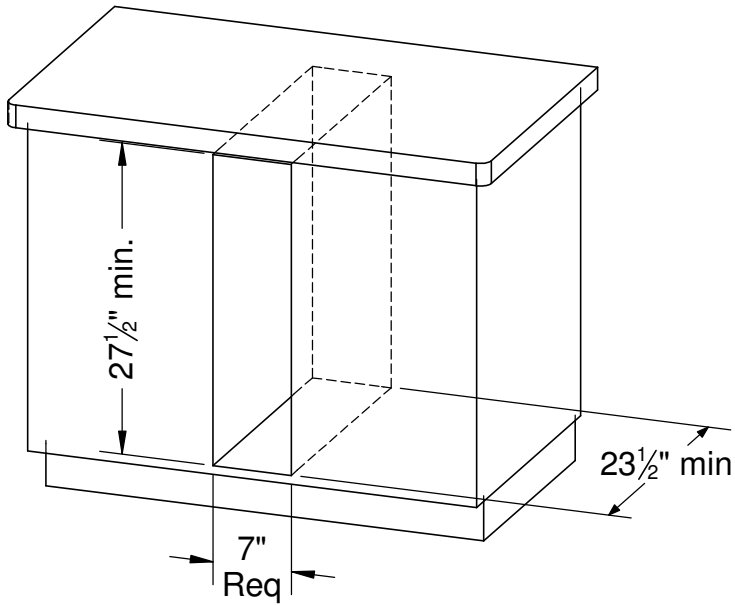


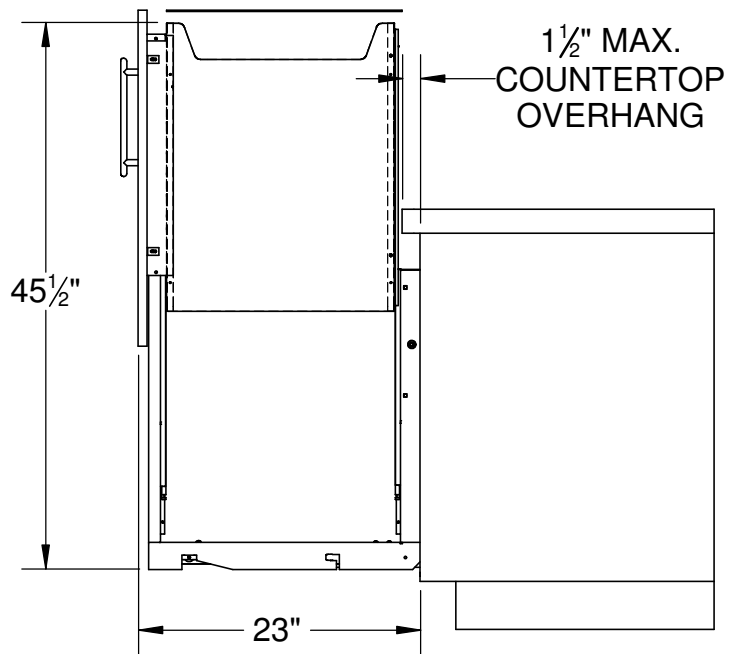
INSTALLATION SPECIFICATIONS

ITEM 8056

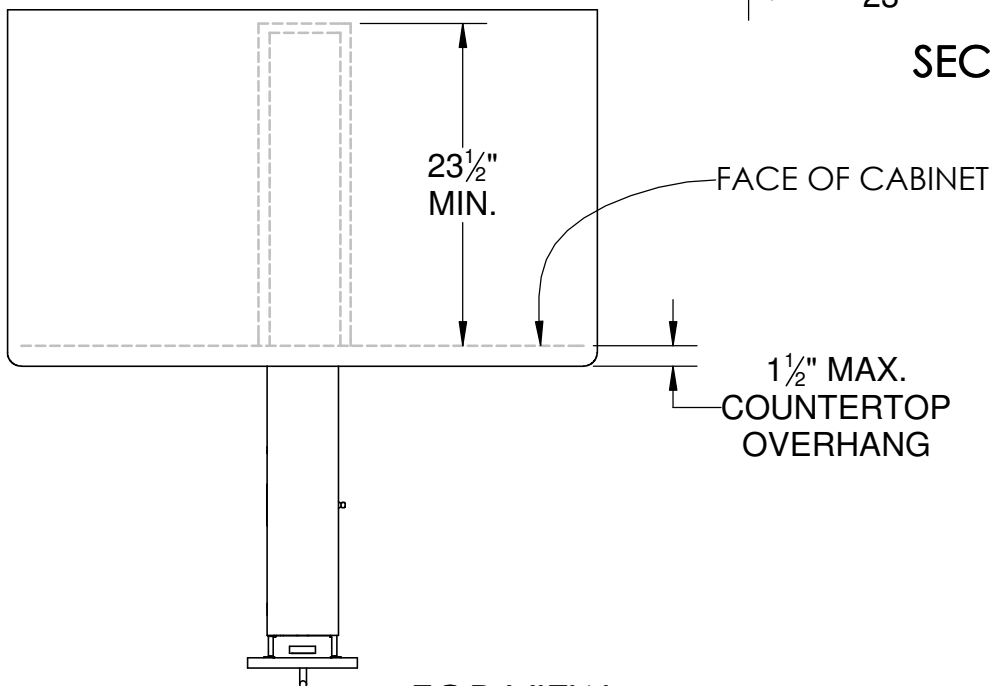
THE LEVITATOR®



CABINET OPENING



SECTION VIEW



TOP VIEW