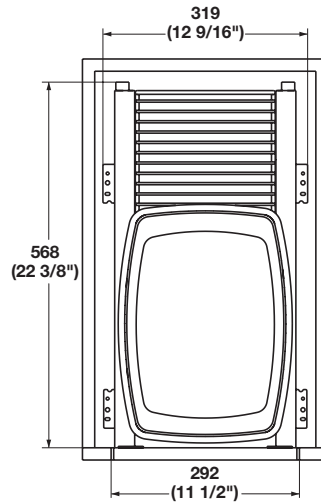


Kesseböhmer Pull-Out Bottom Mount

- Quick installation with drilling template for floor and door
 - Easy front adjustment in all directions
 - For cabinets with overlay or inset doors
 - With "V-Rail" reinforced side rails for more stability on full height doors
 - Optional "auto open" feature; a simple nudge gently opens the unit
 - For use in face frame or frameless cabinets
- Weight capacity: 100 lbs.

soft&silent)))



Frame with Single Waste Bin

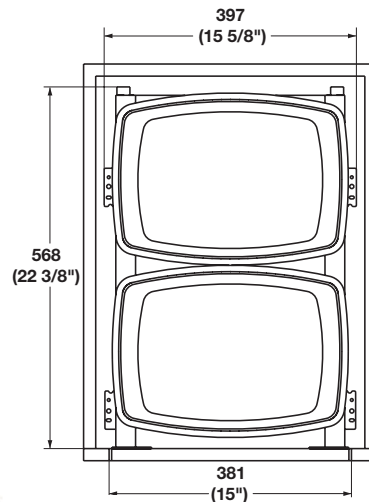
Minimum height of opening: 36 qts. – 489 mm (19 1/4")
52 qts. – 610 mm (24")

Minimum opening width:
– Face frame – 292 mm (11 1/2")
– Frameless – 319 mm (12 9/16")

Actual width of sliding unit: 283 mm (11 1/8")
W x D x H: 292 x 568 x 254 mm (11 1/2" x 22 3/8" x 10")

Material: Steel, powder-coated; Bin: Plastic

Frame/Bin	36 qts.	52 qts.
champagne/champagne	502.56.820	502.56.822
silver/gray	502.56.920	502.56.922
chrome/white	502.56.220	502.56.222



Frame with Double Waste Bins

Minimum height of opening: 36 qt. – 489 mm (19 1/4")
52 qt. – 610 mm (24")

Minimum width of opening:
– Face frame – 381 mm (15")
– Frameless – 397 mm (15 5/8")

Actual width of sliding unit: 372 mm (14 5/8")
W x D x H: 355 x 568 x 254 mm (14" x 22 3/8" x 10")

Material: Steel, powder-coated; Bin: Plastic

Frame/Bin	2 x 36 qts.	2 x 52 qts.
champagne/champagne	502.56.840	502.56.842
silver/gray	502.56.940	502.56.942
chrome/white	502.56.240	502.56.242



Replacement Waste Bins

W x D x H: 36 qts. – 368 x 279 x 457 mm
(14 1/2" x 11" x 18")
52 qts. – 356 x 267 x 559 mm
(14" x 10 1/2" x 22")

Material: Plastic

Color	36 qts.	52 qts.
champagne	503.88.121	503.88.124
white	503.88.721	503.88.724
gray	503.88.521	503.88.524

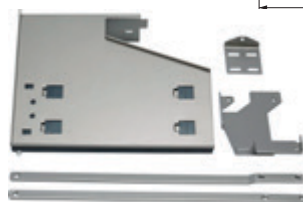
Dimensions in mm
Inches are approximate

Push To Open Kit

- Mechanical operation – no need for electricity
- No change to pull-out installation required
- Easy to retrofit with Kesseböhmer V-Rail Pull-out
- Can be operated with or without door handles

Material: Steel

Finish	Item No.
silver	502.56.998
champagne	502.56.999



Dimensional data not binding. We reserve the right to alter specifications without notice.