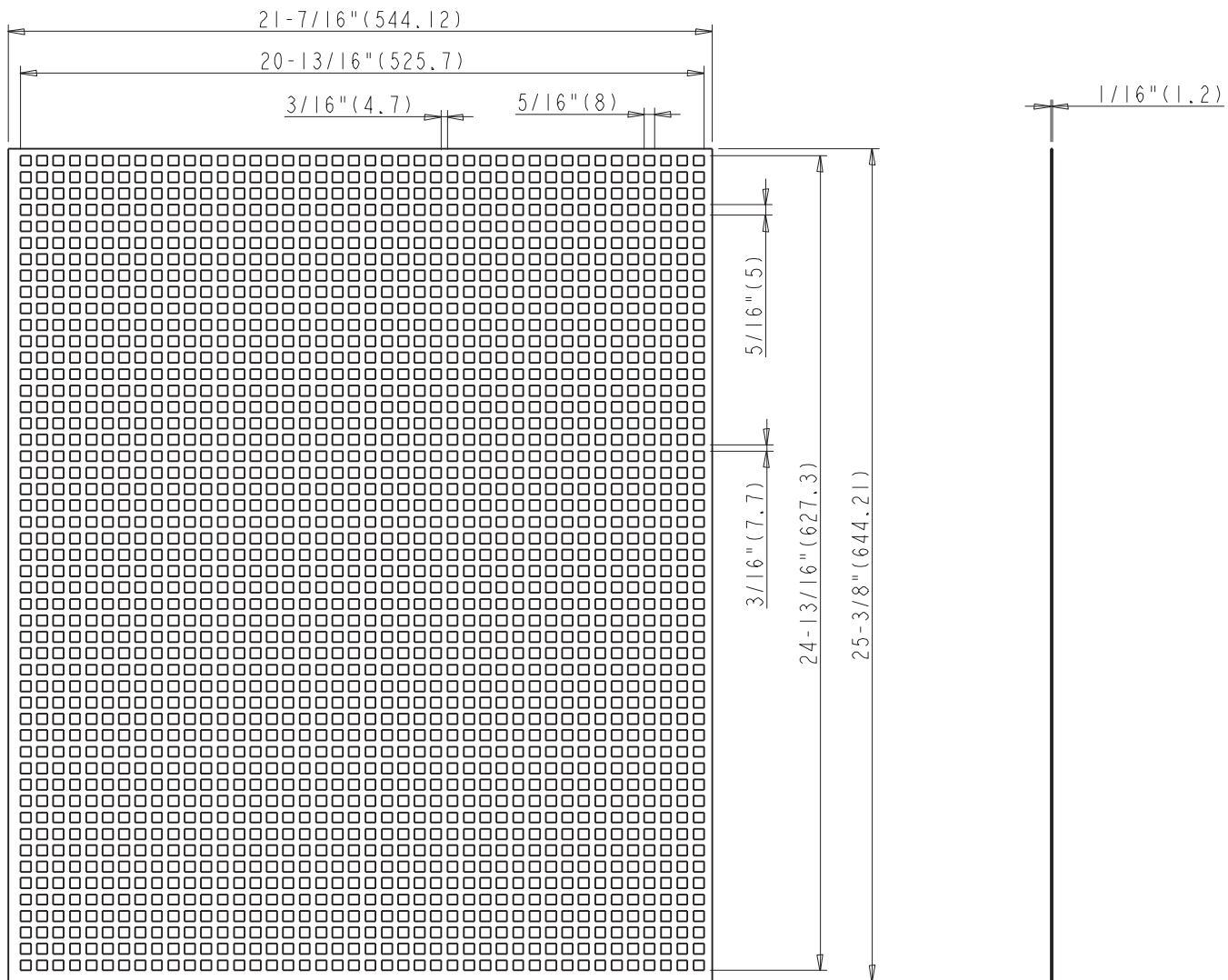
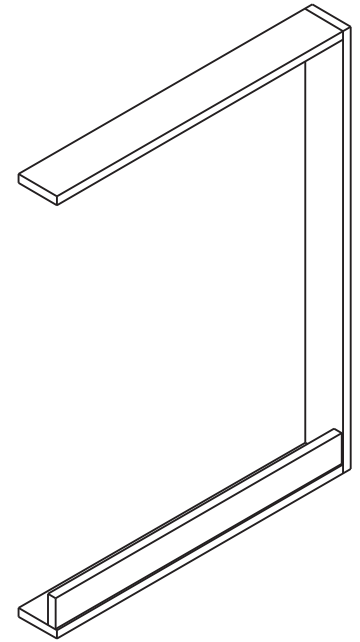
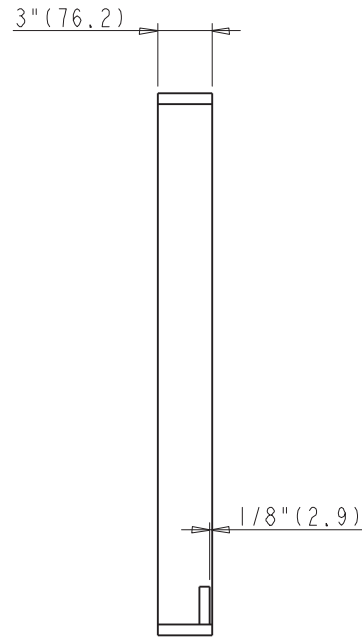
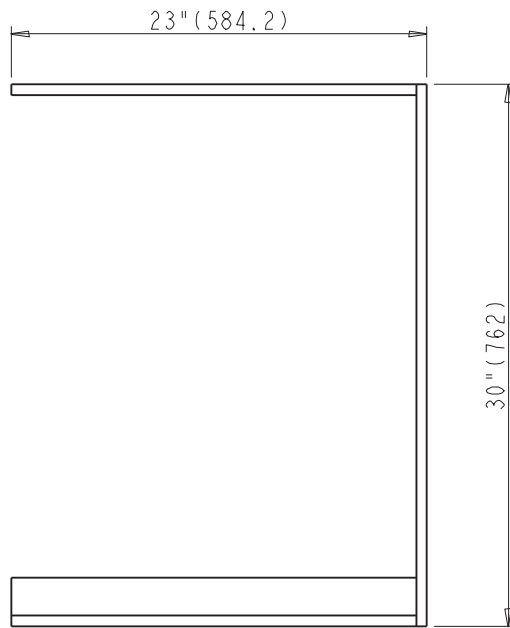



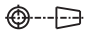
NO.	ITEM#	MATERIAL	QTY	UNIT WEIGHT	TOTLE WEIGHT	TYPE	ASSY LEVEL
3	FLAT-PAD		1			PART	1
2	SCREW-METAL-M4-12		1			PART	1
1	FITTING-3		1			PART	1

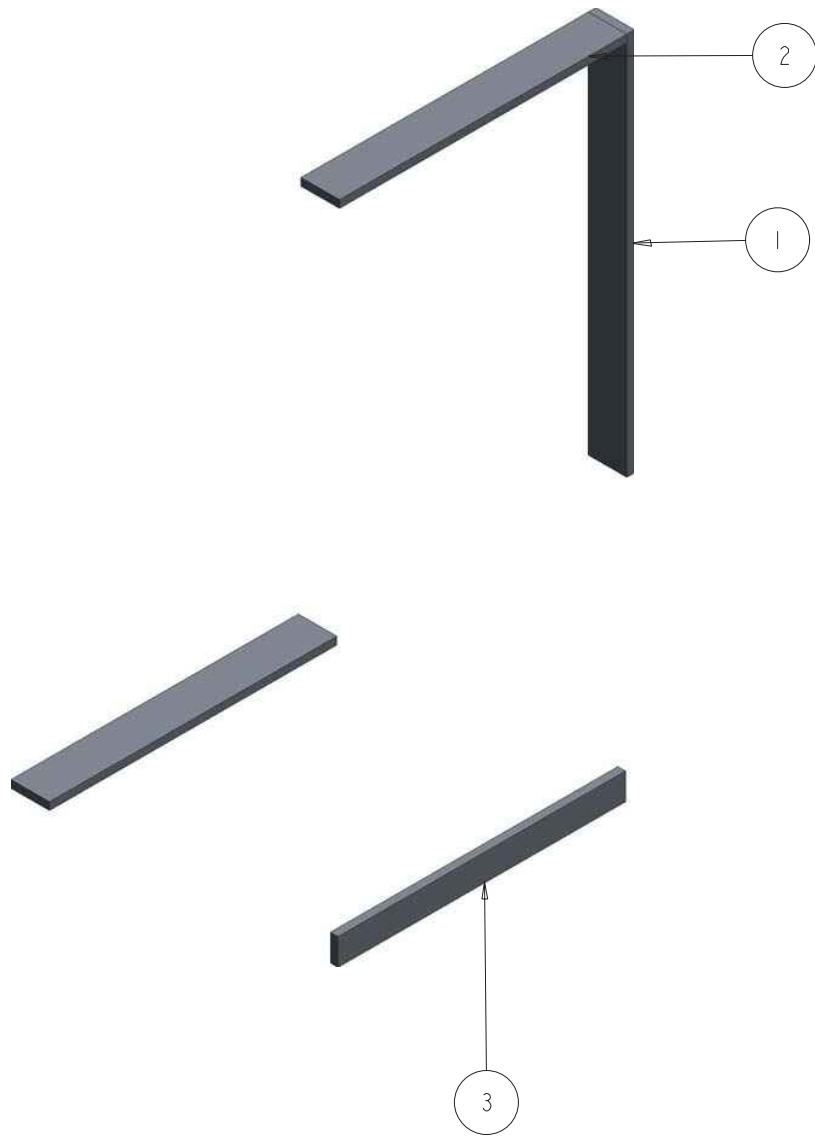
hardware resources THE INFORMATION CONTAINED HEREIN IS THE PROPERTY OF HARDWARE RESOURCES INC. ANY REPRODUCTION IN PART OR AS A WHOLE WITHOUT THE WRITTEN PERMISSION OF HARDWARE RESOURCES INC. IS PROHIBITED.	FITTING-3 PVC DIPPING	MATERIAL: STEEL WEIGHT: 47.000	DATE: 05-13-15
	SHEETS: 1 OF 1	DATE:	DATE:



	ITEM: PEGBOARD		MATERIAL: Stainless steel 304
	QTY: 2800,000		FINISH:
DESCRIPTION:	UNIT:		DATE:
THE INFORMATION CONTAINED HEREIN IS UNCLASSIFIED EXCEPT WHERE SHOWN OTHERWISE. ANY REPRODUCTION IN PART OR AS A WHOLE WITHOUT THE WRITTEN PERMISSION OF HUGO BOSS IS PROHIBITED.	DESIGN:	DATE: 05-13-15	
NO REPRODUCTION OF THIS INFORMATION IS PERMITTED.	SIZE: A4	DATE:	REVISION:
NO REPRODUCTION OF THIS INFORMATION IS PERMITTED.	SHEETS: 1 OF 1	DATE:	REVISION:

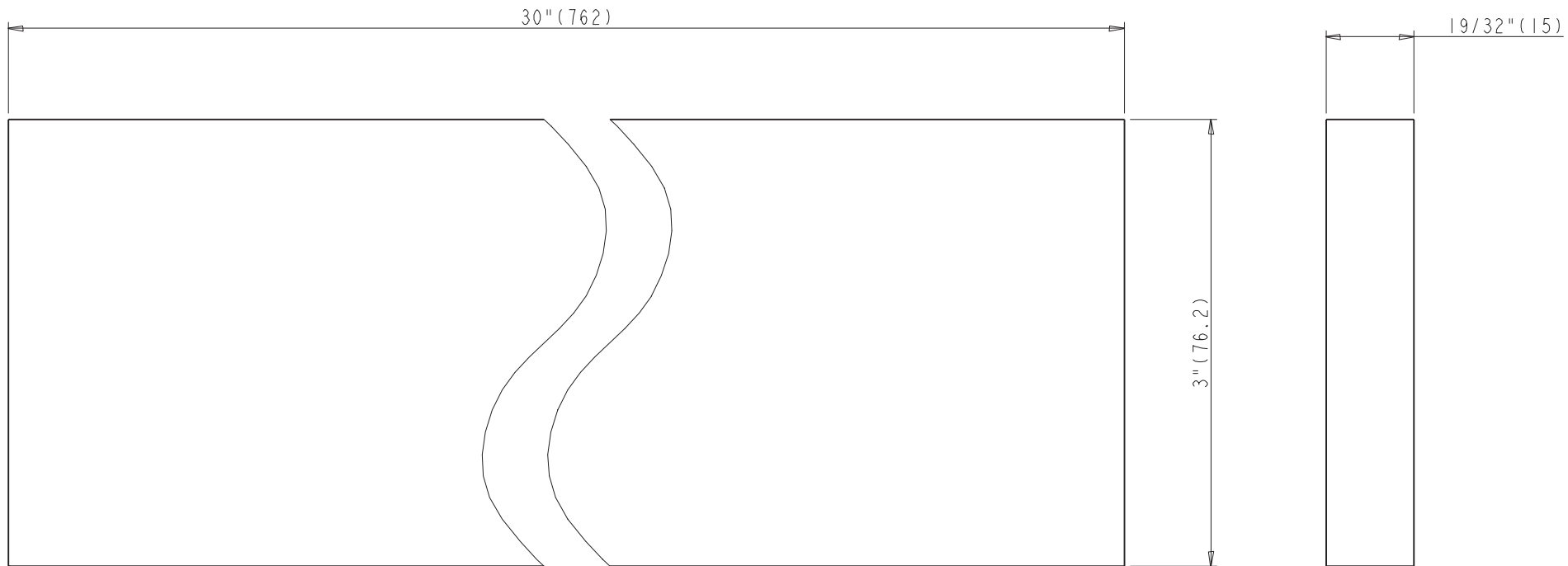



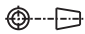
	ITEM#: PEG-BOARD-3IN-MOUNT-FRAME		MATERIAL:	
	FINISH:		WEIGHT: 0.000 g	
<p>PROPRIETARY AND CONFIDENTIAL</p> <p>THE INFORMATION CONTAINED IN THIS DRAWING IS THE SOLE PROPERTY OF HARDWARE RESOURCES INC. ANY REPRODUCTION IN PART OR AS A WHOLE WITHOUT THE WRITTEN PERMISSION OF HARDWARE RESOURCES INC. IS PROHIBITED.</p>	<p>PROJECTION</p> 		<p>DRAWN BY: <i>Hugo. cai</i></p>	
	<p>DATE:</p>		<p>DATE:</p>	
	<p>APPROVED BY:</p>		<p>DATE:</p>	
	<p>RELEASE LEVEL:</p>		<p>REVISION:</p>	
<p>TOLERANCE UNLESS OTHERWISE SPECIFIED:</p> <p>X ±0.20</p> <p>X.X ±0.10</p> <p>X.XX ±0.05</p> <p>ANGULAR: ±0.5°</p> <p>DO NOT SCALE DRAWING</p>		<p>UNITS:</p>	<p>SIZE: A4</p>	<p>SHEET: 1 OF 2</p>

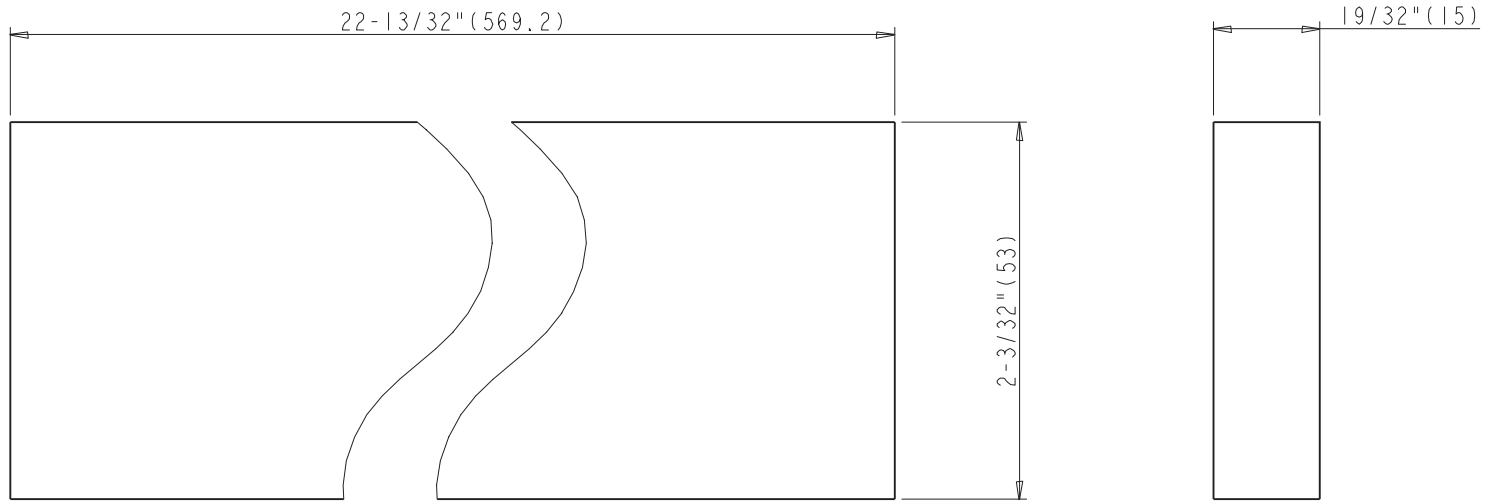



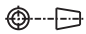

NO.	ITEM#	MATERIAL	QTY	UNIT	TOTL WEIGHT	TYPE	ASSY LEVEL
3	PEG-BOARD SLIDER-MOUNT-BOARD		1			PART	1
2	PEG-BOARD-3IN-HORIZON-BOARD		2			ASSEMBLY	1
1	PEG-BOARD-3IN-BACK-BOARD		1			ASSEMBLY	1

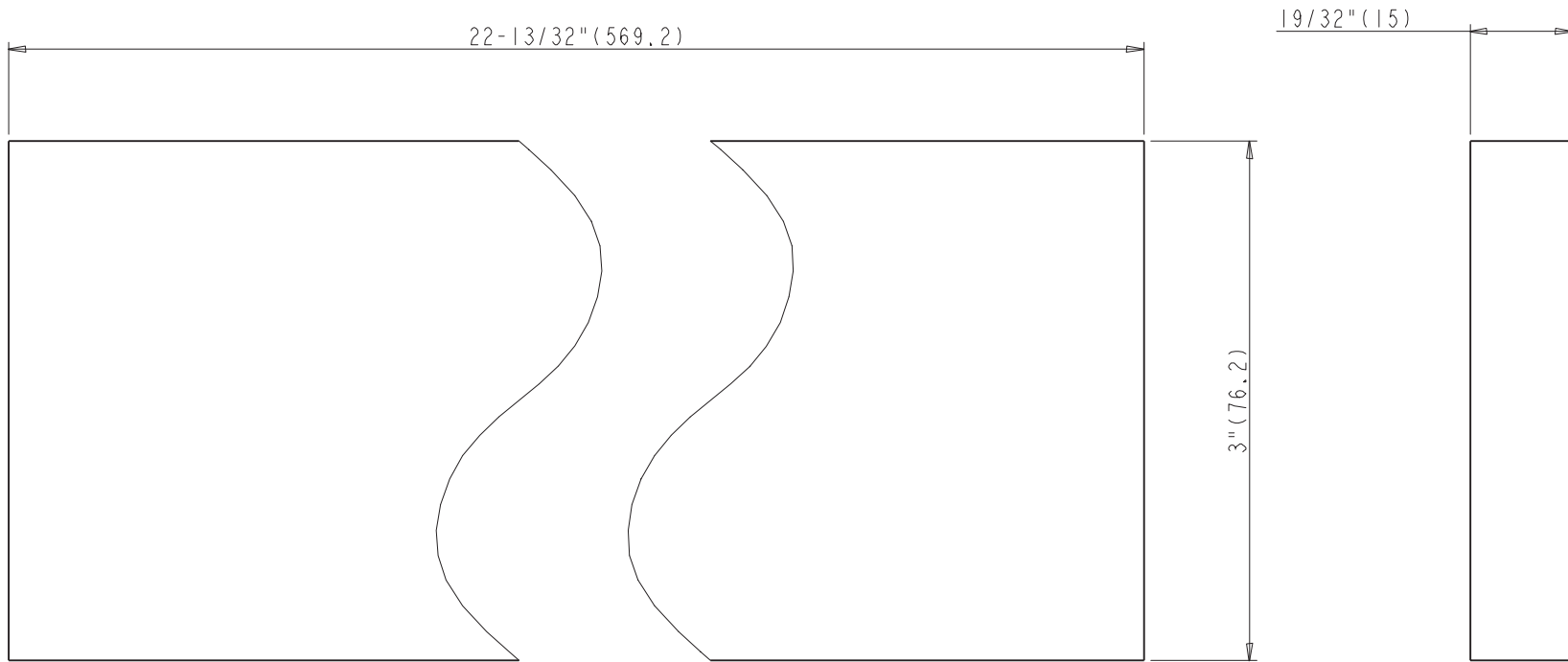
hardware resources <small>PROPRIETARY AND CONFIDENTIAL</small> <small>THE INFORMATION CONTAINED IN THIS DRAWING IS THE SOLE PROPERTY OF HARDWARE RESOURCES INC. ANY REPRODUCTION IN PART OR AS A WHOLE WITHOUT THE WRITTEN PERMISSION OF HARDWARE RESOURCES INC. IS PROHIBITED.</small> <small>DO NOT SCALE DRAWING</small>	ITEM#: PEG-BOARD-3IN-MOUNT-FRAME		MATERIAL#: 	
	FINISH: 		WEIGHT: 0.000 g	
TOLERANCE UNLESS OTHERWISE SPECIFIED: X ±0.20 X.X ±0.10 X.XX ±0.05 ANGULAR: ±0.5°		UNITS: 		PROJECTION:
APPROVED BY: 		DATE: 		DATE:
SIZE: 		APPROVED BY: 		DATE:
SHEET: 		RELEASE LEVEL: 		REVISION:


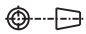


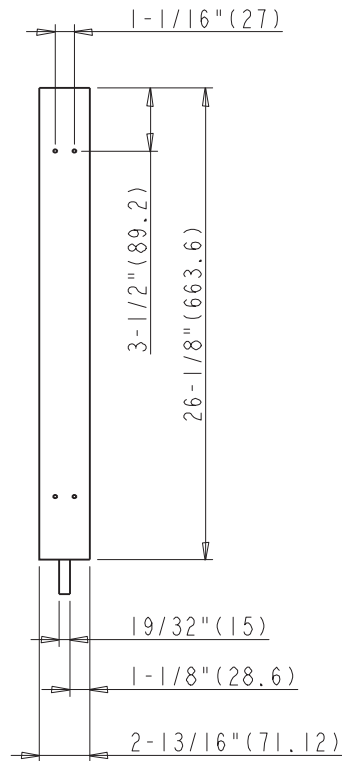
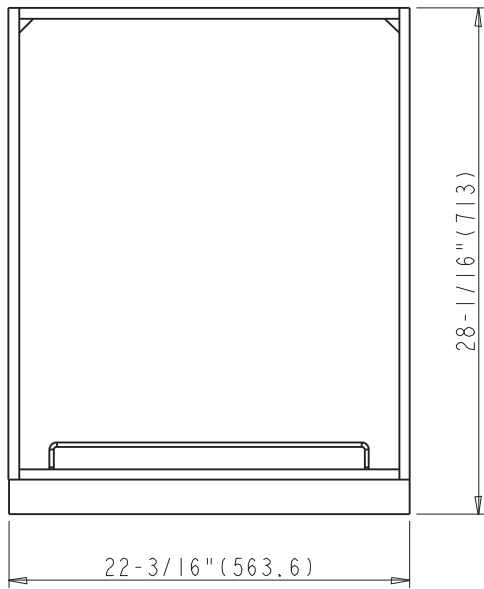
 PROPRIETARY AND CONFIDENTIAL THE INFORMATION CONTAINED IN THIS DRAWING IS THE SOLE PROPERTY OF HARDWARE RESOURCES INC. ANY REPRODUCTION IN PART OR AS A WHOLE WITHOUT THE WRITTEN PERMISSION OF HARDWARE RESOURCES INC. IS PROHIBITED.	ITEM: PEG-BOARD-3IN-BACK-BOARD		MATERIAL: PLY WOOD	
	FINISH:		WEIGHT: 0.000 g	
PROPRIETARY AND CONFIDENTIAL THE INFORMATION CONTAINED IN THIS DRAWING IS THE SOLE PROPERTY OF HARDWARE RESOURCES INC. ANY REPRODUCTION IN PART OR AS A WHOLE WITHOUT THE WRITTEN PERMISSION OF HARDWARE RESOURCES INC. IS PROHIBITED.		PROJECTION 		DATE:
DO NOT SCALE DRAWING		TOLERANCE UNLESS OTHERWISE SPECIFIED: X ±0.20 X.X ±0.10 X.XX ±0.05 ANGULAR: ±0.5°	UNITS: A4	DRAWN BY: <i>Hugo.cai</i>
		APPROVED BY:	DATE:	DATE:
		SHEET: 1 OF 1	RELEASE LEVEL:	REVISION:



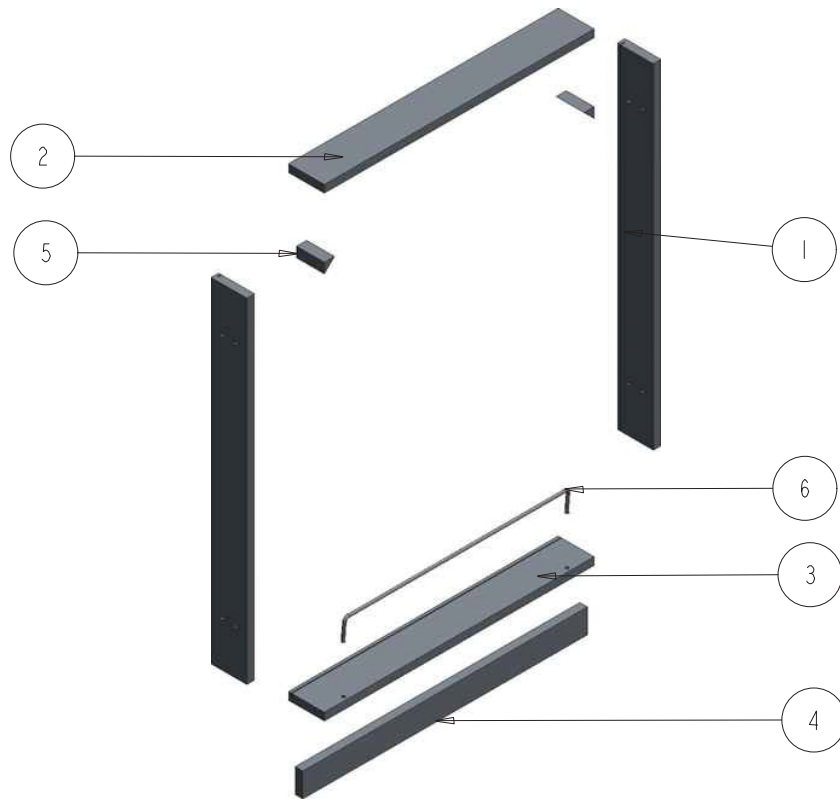
 PROPRIETARY AND CONFIDENTIAL THE INFORMATION CONTAINED IN THIS DRAWING IS THE SOLE PROPERTY OF HARDWARE RESOURCES INC. ANY REPRODUCTION IN PART OR AS A WHOLE WITHOUT THE WRITTEN PERMISSION OF HARDWARE RESOURCES INC. IS PROHIBITED.	ITEM: PEG-BOARSLIDER-MOUNT-BOARD	MATERIAL: PLY WOOD
	FINISH:	WEIGHT: 0.000 g
PROPRIETARY AND CONFIDENTIAL THE INFORMATION CONTAINED IN THIS DRAWING IS THE SOLE PROPERTY OF HARDWARE RESOURCES INC. ANY REPRODUCTION IN PART OR AS A WHOLE WITHOUT THE WRITTEN PERMISSION OF HARDWARE RESOURCES INC. IS PROHIBITED.	PROJECTION: 	DATE:
TOLERANCE UNLESS OTHERWISE SPECIFIED: X ±0.20 X.X ±0.10 X.XX ±0.05 ANGULAR: ±0.5° DO NOT SCALE DRAWING	UNITS: A4	DATE:
SHEET: 1 OF 1	APPROVED BY: 	DATE:
RELEASE LEVEL:	REVISION:	



 PROPRIETARY AND CONFIDENTIAL THE INFORMATION CONTAINED IN THIS DRAWING IS THE SOLE PROPERTY OF HARDWARE RESOURCES INC. ANY REPRODUCTION IN PART OR AS A WHOLE WITHOUT THE WRITTEN PERMISSION OF HARDWARE RESOURCES INC. IS PROHIBITED.	ITEM: PEG-BOARD-3IN-HORIZON-BOARD FINISH:		MATERIAL: PLY WOOD WEIGHT: 0.000 g PROJECTION: 	
	TOLERANCE UNLESS OTHERWISE SPECIFIED: X ±0.20 X.X ±0.10 X.XX ±0.05 ANGULAR: ±0.5° DO NOT SCALE DRAWING	UNITS: SIZE: A4 SHEET: 1 OF 1	DRAWN BY: <i>Hugo.cai</i> APPROVED BY:	DATE: DATE: REVISION:

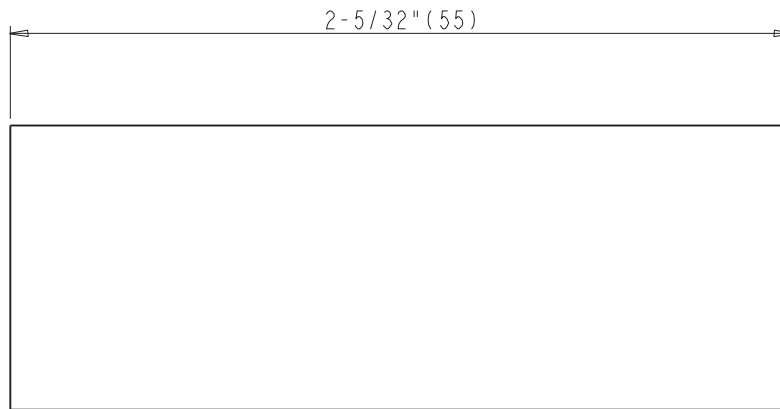
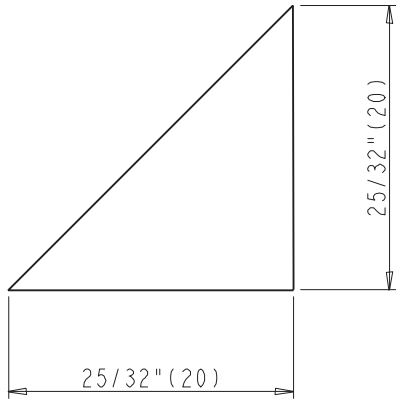



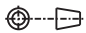
	ITEM#: PEG-BOARD-3IN-PULL-FRAME		MATERIAL:		
	FINISH:		WEIGHT: 0.000 g		
PROPRIETARY AND CONFIDENTIAL THE INFORMATION CONTAINED IN THIS DRAWING IS THE SOLE PROPERTY OF HARDWARE RESOURCES INC. ANY REPRODUCTION IN PART OR AS A WHOLE WITHOUT THE WRITTEN PERMISSION OF HARDWARE RESOURCES INC. IS PROHIBITED.	TOLERANCE UNLESS OTHERWISE SPECIFIED: X ±0.20 X.X ±0.10 X.XX ±0.05 ANGULAR: ±0.5° DO NOT SCALE DRAWING		UNITS: SIZE: A4 SHEET: 1 OF 2	DRAWN BY: <i>Hugo. cat</i> APPROVED BY: RELEASE LEVEL: REVISION:	PROJECTION: DATE: DATE: DATE:

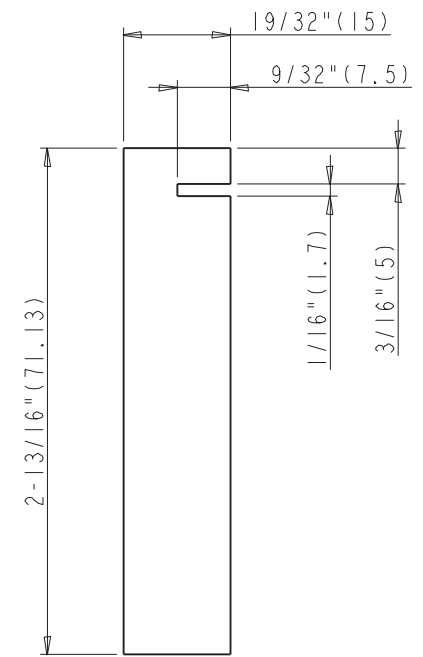
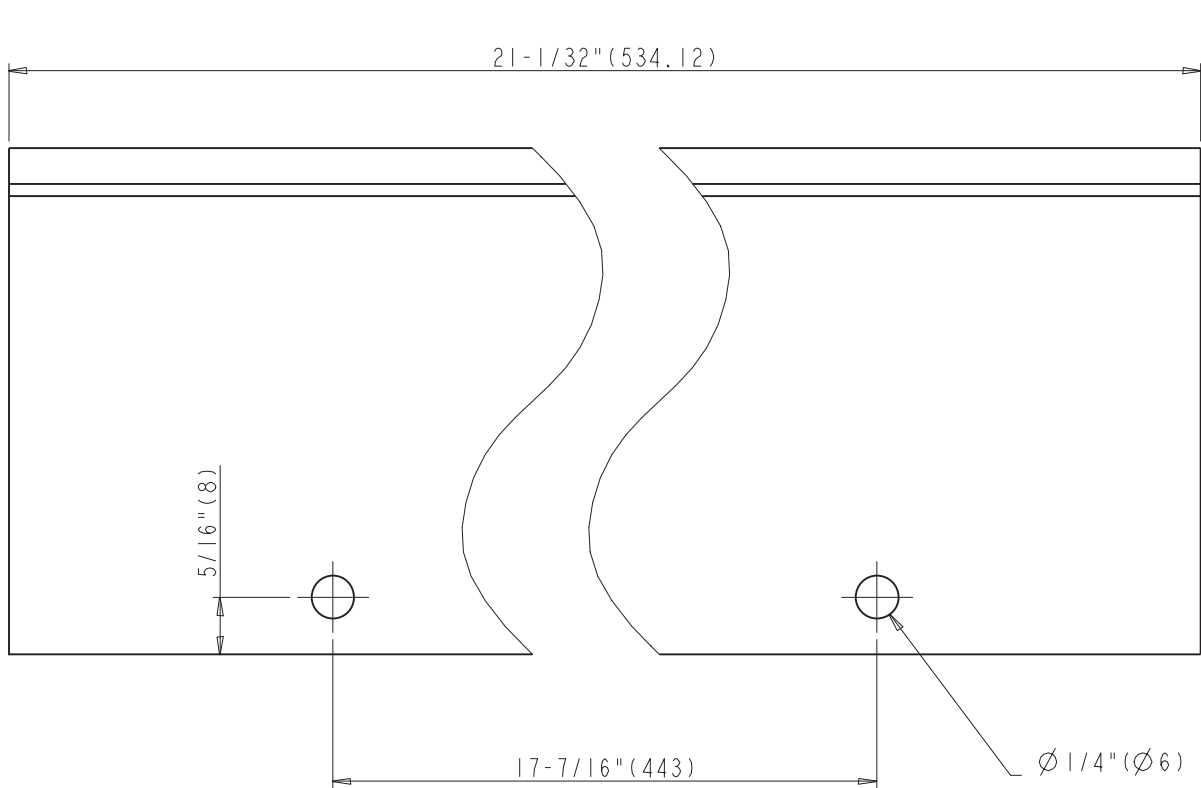


6	PEG-BOARD-3IN-STICK	STEEL	1			PART	1
5	PEG-BOARD-3IN-BLOCK		2			PART	1
4	PEG-BOARD-3IN-MOVABLE		1			ASSEMBLY	1
3	PEG-BOARD-3IN-FIXED-SHELF-BTM		1			ASSEMBLY	1
2	PEG-BOARD-3IN-FIXED-SHELF-TOP		1			ASSEMBLY	1
1	PEG-BOARD-3IN-FRONT-BOARD		2			ASSEMBLY	1
NO.	ITEM#	MATERIAL	QTY	UNIT	TOTLE	TYPE	ASSY LEVEL
				WEIGHT			

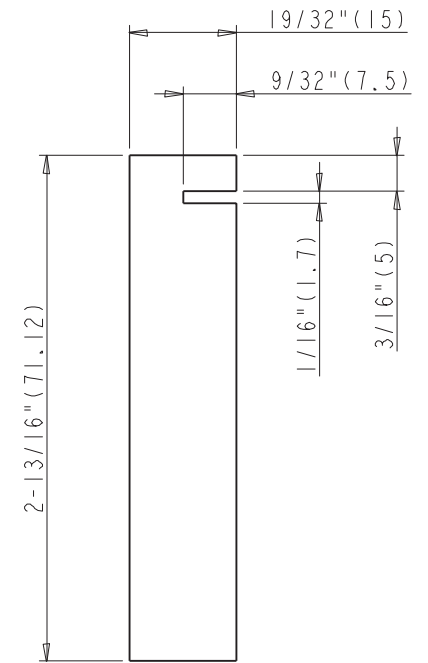
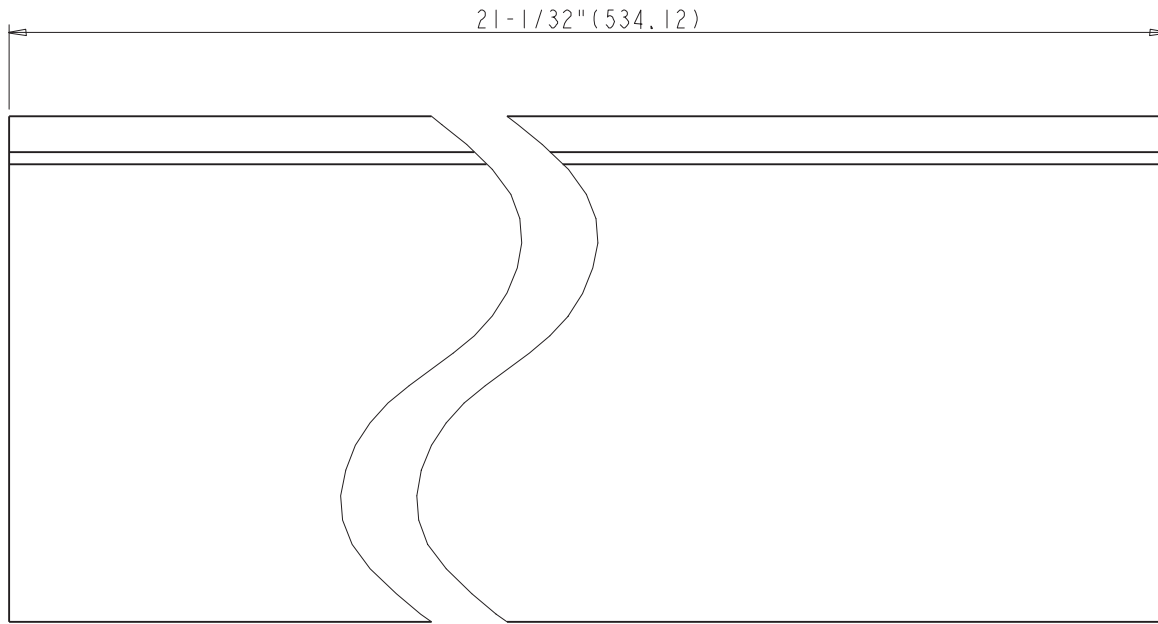
	ITEM#: PEG-BOARD-3IN-PULL-FRAME		MATERIAL:	
	FINISH:		WEIGHT: 0.000 g	
PROPRIETARY AND CONFIDENTIAL THE INFORMATION CONTAINED IN THIS DRAWING IS THE SOLE PROPERTY OF HARDWARE RESOURCES INC. ANY REPRODUCTION IN PART OR AS A WHOLE WITHOUT THE WRITTEN PERMISSION OF HARDWARE RESOURCES INC. IS PROHIBITED.		TOLERANCE UNLESS OTHERWISE SPECIFIED: X ±0.20 X.X ±0.10 X.XX ±0.05 ANGULAR: ±0.5° DO NOT SCALE DRAWING		PROJECTION:
		UNITS:	DRAWN BY: <i>Hugo.cai</i>	DATE:
		SIZE:	APPROVED BY:	DATE:
		SHEET:	RELEASE LEVEL:	REVISION:


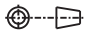


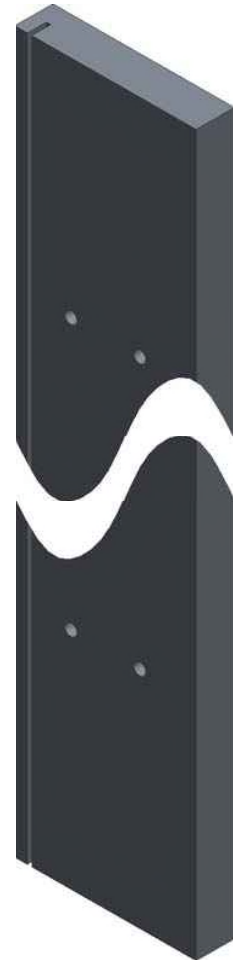
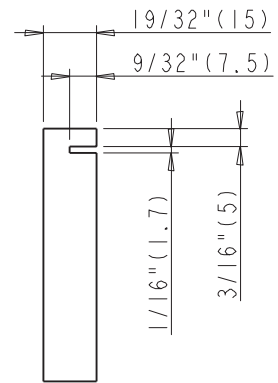
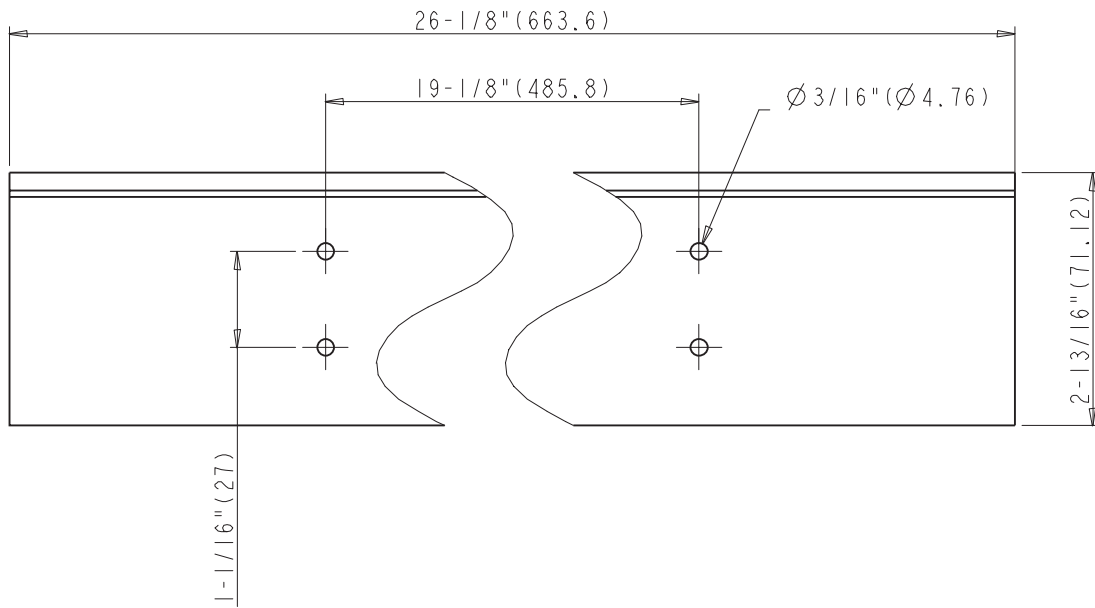
	ITEM#: PEG-BOARD-3IN-BLOCK		MATERIAL: MAPLE		
	FINISH:		WEIGHT: 0.000 g		
<p>PROPRIETARY AND CONFIDENTIAL</p> <p>THE INFORMATION CONTAINED IN THIS DRAWING IS THE SOLE PROPERTY OF HARDWARE RESOURCES INC. ANY REPRODUCTION IN PART OR AS A WHOLE WITHOUT THE WRITTEN PERMISSION OF HARDWARE RESOURCES INC. IS PROHIBITED.</p>	<p>PROJECTION</p> 		<p>DRAWN BY: <i>Hugo.cai</i></p>		
	<p>DATE:</p>		<p>DATE:</p>		
	<p>APPROVED BY:</p>		<p>DATE:</p>		
	<p>RELEASE LEVEL:</p>		<p>REVISION:</p>		
<p>THE INFORMATION CONTAINED IN THIS DRAWING IS THE SOLE PROPERTY OF HARDWARE RESOURCES INC. ANY REPRODUCTION IN PART OR AS A WHOLE WITHOUT THE WRITTEN PERMISSION OF HARDWARE RESOURCES INC. IS PROHIBITED.</p>		<p>DO NOT SCALE DRAWING</p>		<p>1 OF 1</p>	



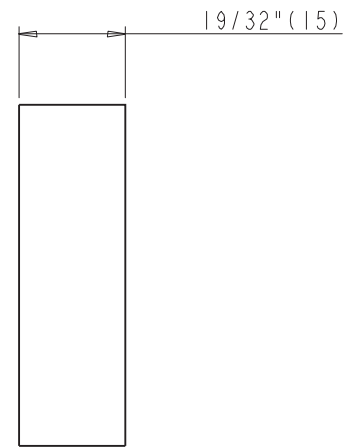
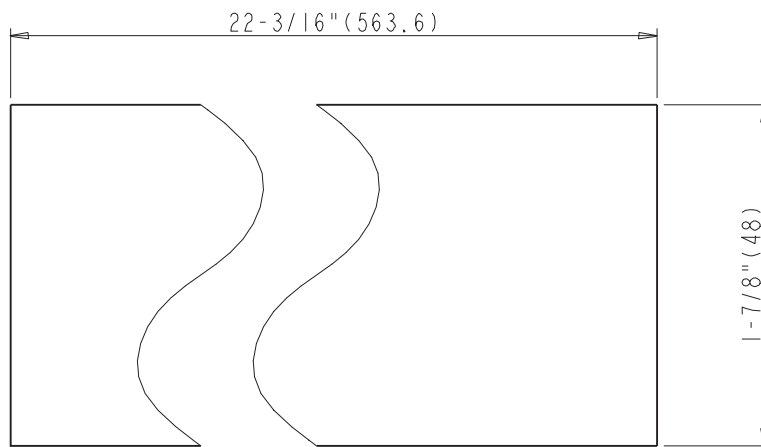
	ITEM#: PEG-BOARD-3IN-FIXED-SHELF-BTM		MATERIAL: Maple	
	FINISH:		WEIGHT: 0.000 g	
	PROPRIETARY AND CONFIDENTIAL THE INFORMATION CONTAINED IN THIS DRAWING IS THE SOLE PROPERTY OF HARDWARE RESOURCES INC. ANY REPRODUCTION IN PART OR AS A WHOLE WITHOUT THE WRITTEN PERMISSION OF HARDWARE RESOURCES INC. IS PROHIBITED.		PROJECTION:	
	TOLERANCE UNLESS OTHERWISE SPECIFIED: X ±0.20 X.X ±0.10 X.XX ±0.05 ANGULAR: ±0.5° DO NOT SCALE DRAWING		UNITS: A4 SHEET: 1 OF 1	DRAWN BY: <i>Hugo.cai</i> APPROVED BY: RELEASE LEVEL: REVISION:


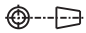


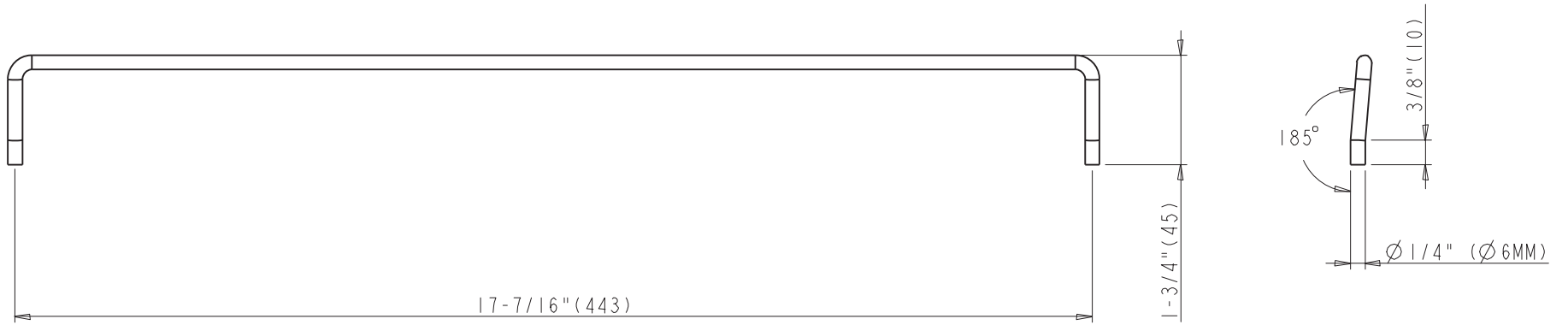
 PROPRIETARY AND CONFIDENTIAL THE INFORMATION CONTAINED IN THIS DRAWING IS THE SOLE PROPERTY OF HARDWARE RESOURCES INC. ANY REPRODUCTION IN PART OR AS A WHOLE WITHOUT THE WRITTEN PERMISSION OF HARDWARE RESOURCES INC. IS PROHIBITED.	ITEM#: PEG-BOARD-3IN-FIXED-SHELF-TOP FINISH:		MATERIAL: Maple WEIGHT: 0.000 g PROJECTION: 	
	TOLERANCE UNLESS OTHERWISE SPECIFIED: X ±0.20 X.X ±0.10 X.XX ±0.05 ANGULAR: ±0.5° DO NOT SCALE DRAWING	UNITS: SIZE: A4 SHEET: 1 OF 1	DRAWN BY: <i>Hugo.cai</i> APPROVED BY:	DATE: DATE: REVISION:




	ITEM:	PEG-BOARD-3IN-FRONT-BOARD		MATERIAL:	Maple	
	FINISH:			WEIGHT:	0.000 g	
PROPRIETARY AND CONFIDENTIAL THE INFORMATION CONTAINED IN THIS DRAWING IS THE SOLE PROPERTY OF HARDWARE RESOURCES INC. ANY REPRODUCTION IN PART OR AS A WHOLE WITHOUT THE WRITTEN PERMISSION OF HARDWARE RESOURCES INC. IS PROHIBITED.	TOLERANCE UNLESS OTHERWISE SPECIFIED: X ±0.20 X.X ±0.10 X.XX ±0.05 ANGULAR: ±0.5° DO NOT SCALE DRAWING		UNITS: SIZE: A4 SHEET: 1 OF 1	DRAWN BY: 	PROJECTION: 	
			APPROVED BY:	DATE:		
			RELEASE LEVEL:	REVISION:		



	ITEM#: PEG-BOARD-3IN-MOVABLE		MATERIAL: PLY WOOD		
	FINISH:		WEIGHT: 0.000 g		
PROPRIETARY AND CONFIDENTIAL THE INFORMATION CONTAINED IN THIS DRAWING IS THE SOLE PROPERTY OF HARDWARE RESOURCES INC. ANY REPRODUCTION IN PART OR AS A WHOLE WITHOUT THE WRITTEN PERMISSION OF HARDWARE RESOURCES INC. IS PROHIBITED.	TOLERANCE UNLESS OTHERWISE SPECIFIED: X ±0.20 X.X ±0.10 X.XX ±0.05 ANGULAR: ±0.5° DO NOT SCALE DRAWING		UNITS: SIZE: A4 SHEET: 1 OF 1	DRAWN BY: <i>Hugo.cai</i> APPROVED BY: RELEASE LEVEL:	DATE: DATE: REVISION:
	PROJECTION: 				



 PROPRIETARY AND CONFIDENTIAL THE INFORMATION CONTAINED IN THIS DRAWING IS THE SOLE PROPERTY OF HARDWARE RESOURCES INC. ANY REPRODUCTION IN PART OR AS A WHOLE WITHOUT THE WRITTEN PERMISSION OF HARDWARE RESOURCES INC. IS PROHIBITED.	ITEM:	PEG-BOARD-3IN-STICK		MATERIAL:	STEEL
	FINISH:			WEIGHT:	115 g
	TOLERANCE UNLESS OTHERWISE SPECIFIED:	UNITS:	DRAWN BY:	PROJECTION	DATE:
	X ±0.20 X.X ±0.10 X.XX ±0.05 ANGULAR: ±0.5° DO NOT SCALE DRAWING	A4	<i>Hugo.cai</i>	APPROVED BY:	DATE:
		SHEET:	RELEASE LEVEL:	REVISION:	