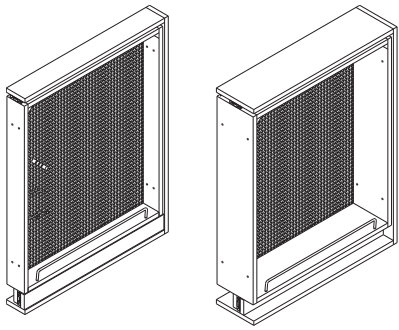


# Base Filler Peg Board Pullout

## Installation Instructions for the BFPOSS Series

hardware  
**resources**<sup>®</sup>



### IMPORTANT:

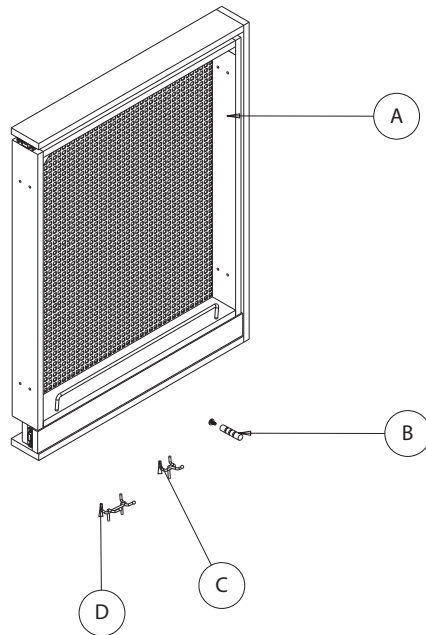
Before you begin, make sure you familiarize yourself with all the parts and fully read the instructions.

### CUSTOMER SERVICE:

Toll free customer help line available weekdays between 7:00am and 6:00pm Central Time at 800-463-0660.

### TOOLS NECESSARY:

Screw gun, Phillips screwdriver, and tape measure. NOTE: If screw gun has a clutch, set to lowest setting so as not to over tighten and/or strip screws.



A	Base frame and pullout	1X
B	Peg	12X
C	Single Hook	12X
D	Double Hook	6X

STEP 1	STEP 2	STEP 3
<p><b>Face Frame Application:</b> Measure the overlay of adjoining cabinet stile to determine scribe rail thickness. Rail thickness = Measurement + 1/4"</p> <p><b>Frameless Application:</b> Recommended scribe rail thickness is 1/4".</p>	<p>Install upper and lower scribe rails to the filler pullout using small finish nails or brads (not included). Upper and lower scribe rail is attached to the outside frame of the pullout as shown.</p>	<p>Pre-drill 3/16 inch holes 3/8 inch down from the top of the cabinet. Repeat on adjacent cabinet if necessary.</p>
STEP 4	STEP 5	
<p>Mount pullout filler to cabinet at the top as shown and attach to the toe-kick system at the bottom.</p>	<p>Attach face frame and/or decorative door front.</p>	