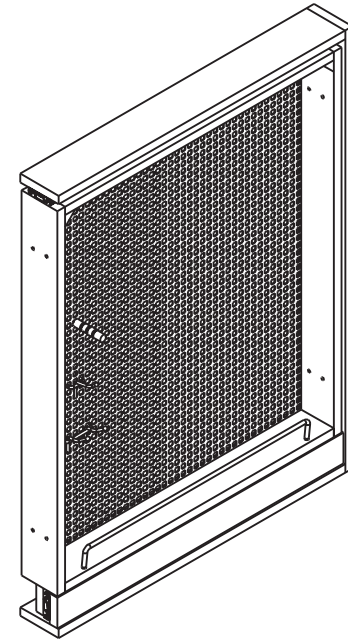
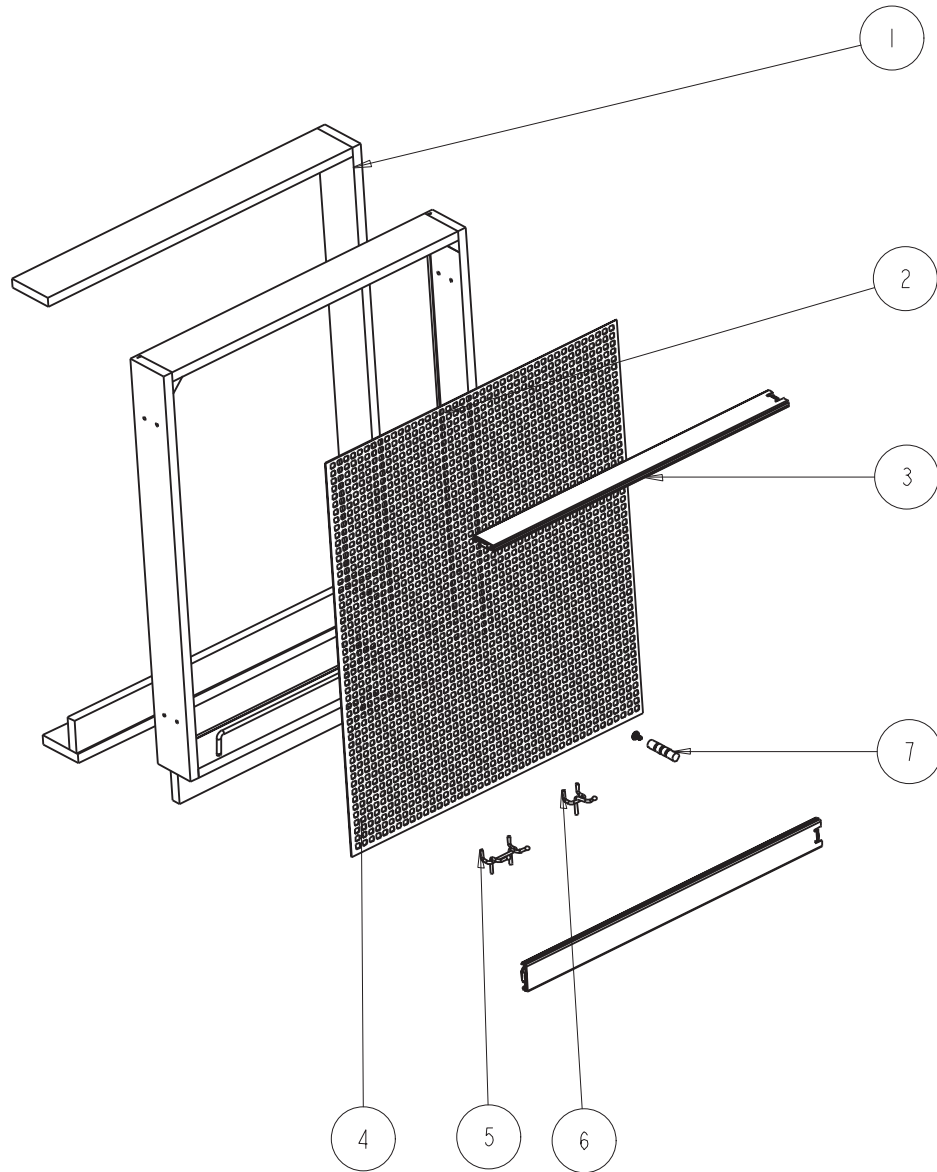


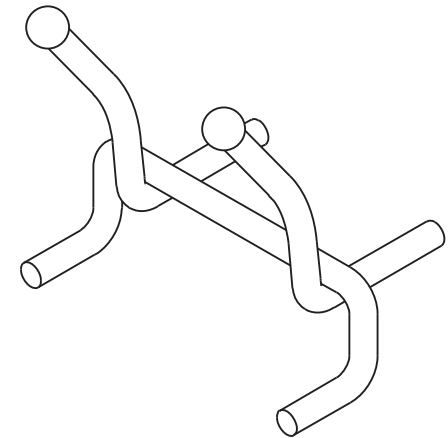
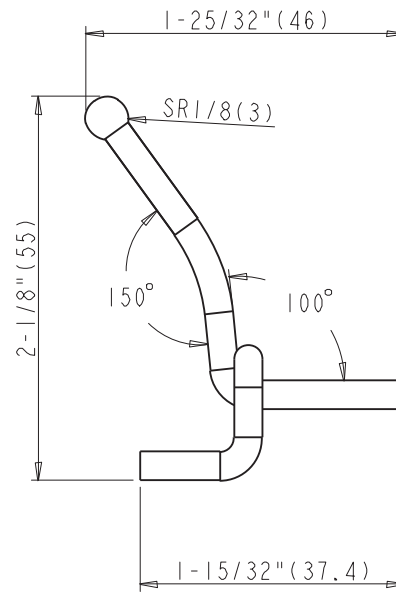
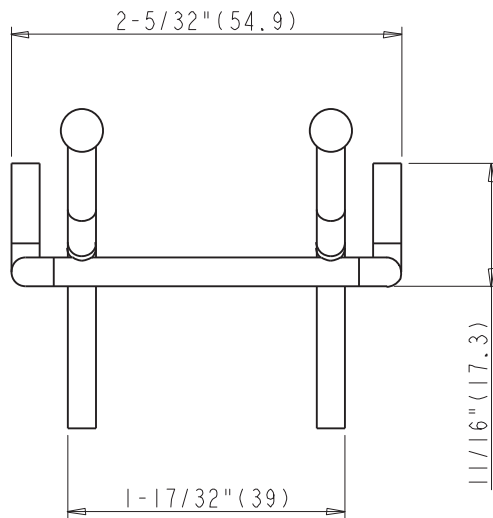
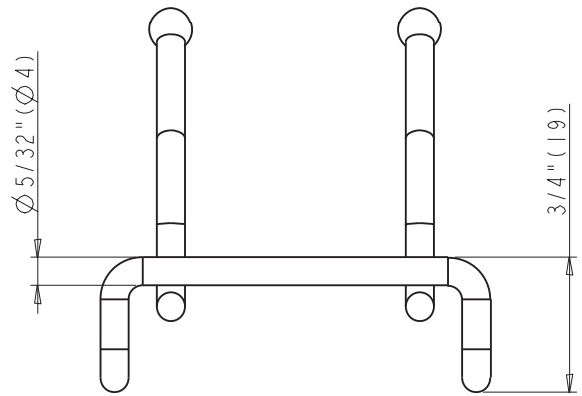
<b>hardware resources</b> <small>PROPRIETARY AND CONFIDENTIAL</small> THE INFORMATION CONTAINED IN THIS DRAWING IS THE SOLE PROPERTY OF HARDWARE RESOURCES INC. ANY REPRODUCTION IN PART OR AS A WHOLE WITHOUT THE WRITTEN PERMISSION OF HARDWARE RESOURCES INC. IS PROHIBITED.	ITEM#: BFPOSS3	MATERIAL:
	WEIGHT: 0.000 g	
	PROJECTION	
	DATE: 06-04-15	
<small>TOLERANCE UNLESS OTHERWISE SPECIFIED:</small> X ±0.25 XX ±0.10 XXX ±0.05 ANGULAR: ±0.1° DO NOT SCALE DRAWING	<small>UNITS:</small> SIZE: A4 SHEET: 1 OF 2	<small>DRAWN BY:</small> <i>Hugo. cat</i> <small>APPROVED BY:</small> <small>RELEASE LEVEL:</small> <small>REVISION:</small>



NO.	ITEM#	MATERIAL	QTY	UNIT WEIGHT	TOTL WEIGHT	TYPE	ASSY LEVEL
7	FITTING-3		12			ASSEMBLY	1
6	FITTING-2		12			PART	1
5	FITTING-1		6			PART	1
4	PEGBOARD		1			PART	1
3	303FUSFT-22		2			PART	1
2	PEG-BOARD-3IN-PULL-FRAME		1			ASSEMBLY	1
1	PEG-BOARD-3IN-MOUNT-FRAME		1			ASSEMBLY	1

<b>hardware resources</b>	ITEM#:	BFPOSS3	MATERIAL#:	
	FINISH#:		WEIGHT:	g
PROPRIETARY AND CONFIDENTIAL	THE INFORMATION CONTAINED IN THIS DRAWING IS THE SOLE PROPERTY OF HARDWARE RESOURCES INC. ANY REPRODUCTION IN PART OR AS A WHOLE WITHOUT THE WRITTEN PERMISSION OF HARDWARE RESOURCES INC. IS PROHIBITED.		PROJECTION:	
TOLERANCE UNLESS OTHERWISE SPECIFIED:	UNITS:	DRAWN BY:	DATE:	
x ±0.20		<i>Hugo.cai</i>	06-04-15	
x,x ±0.10	SIZE:	APPROVED BY:	DATE:	
x,xx ±0.05				
ANGULAR: ±0.5°	SHEET:	RELEASE LEVEL:	REVISION:	
DO NOT SCALE DRAWING				



<b>hardware resources</b> <small>DESIGNING FOR ENVIRONMENTAL RESPONSIBILITY</small> <small>THE INFORMATION ON THIS SHEET IS FOR INFORMATION ONLY. IT IS NOT A CONTRACT. ANY REPRESENTATION IN THIS SHEET IS SUBJECT TO THE TERMS AND CONDITIONS OF THE PURCHASE ORDER.</small>	<b>ITEM:</b> FITTING - I		<b>MATERIAL:</b> STEEL	
	<b>FINISH:</b> PVC DIPPING		<b>QUANTITY:</b> 25,000	
	<b>DATE:</b> A4		<b>DATE:</b> 06-04-15	
	<b>SHEET:</b> 1 OF 1		<b>DATE:</b>	