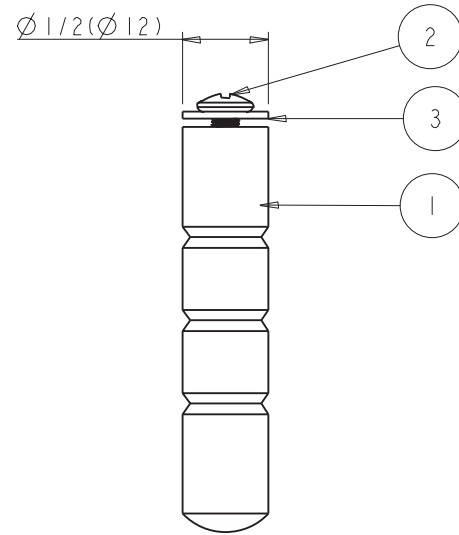
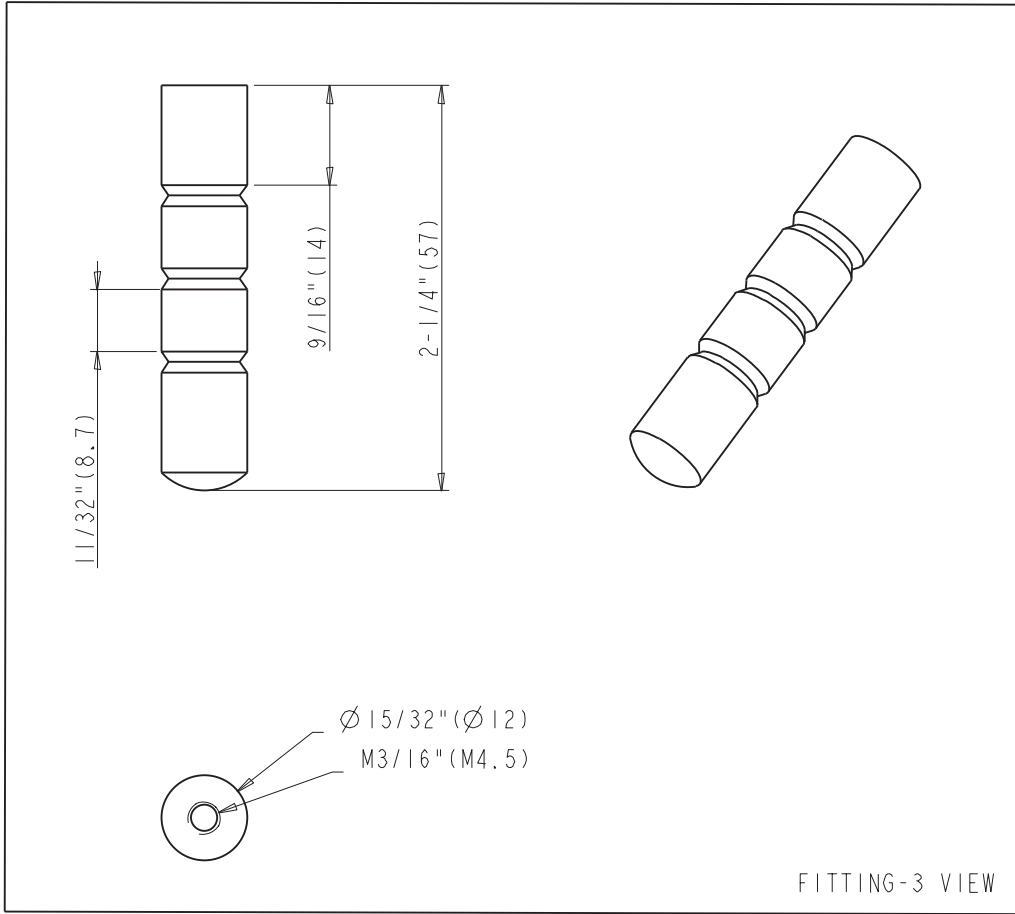
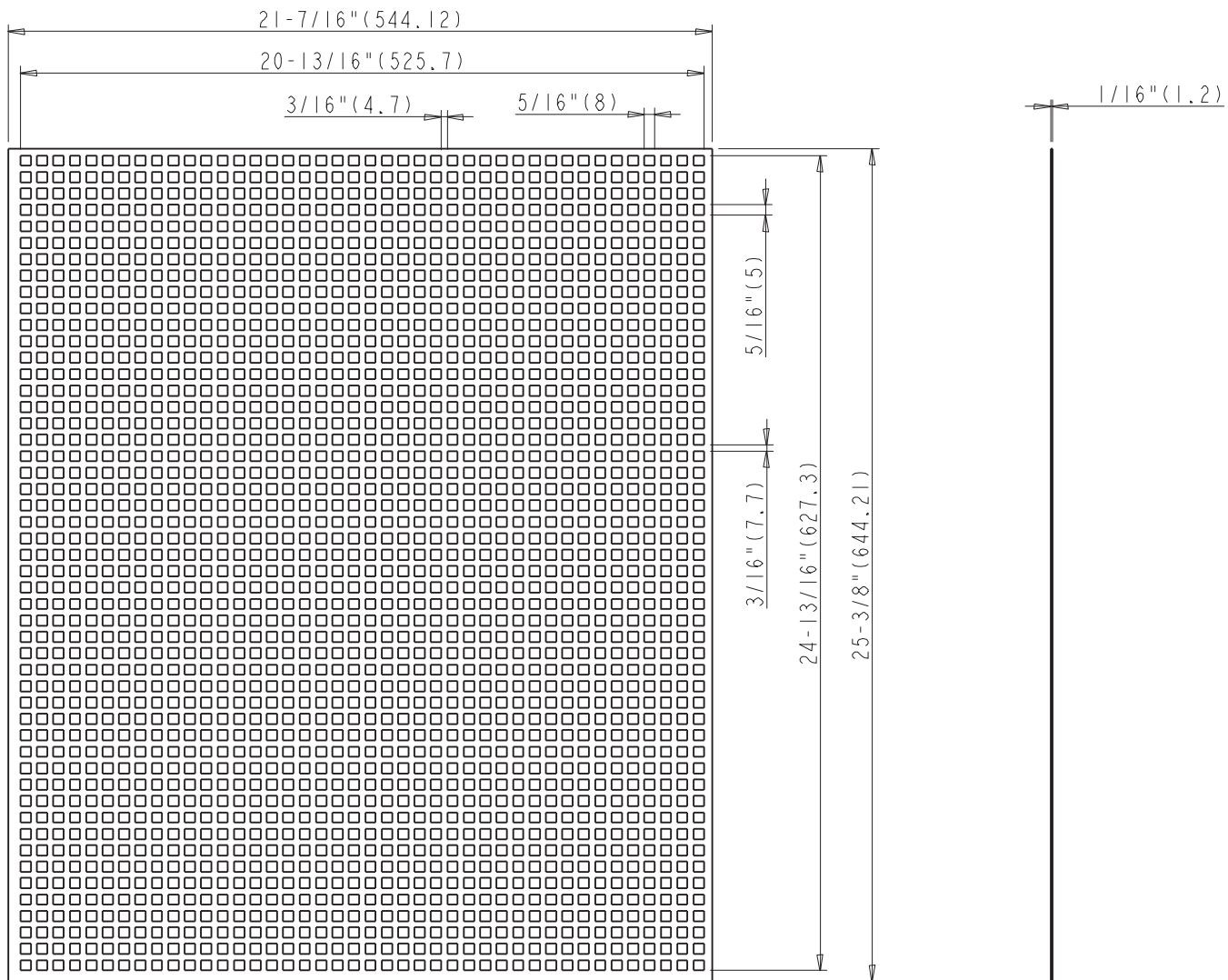


hardware resources <small>ENVIRONMENTAL</small> THE INFORMATION ON THIS SHEET IS FOR INFORMATION ONLY. IT IS NOT TO BE USED FOR CONSTRUCTION. ANY REPRODUCTION IN PART OR AS A WHOLE WITHOUT THE WRITTEN PERMISSION OF HARDWARE RESOURCES IS PROHIBITED.	ITEM: FITTING-2	MATERIAL: STEEL
	QTY: 15,000	DATE: 06-04-15
	PROCESS: PVC DIPPING	SCALE: 1 OF 1
	DESIGNER: Hugo. cai	DATE: 06-04-15

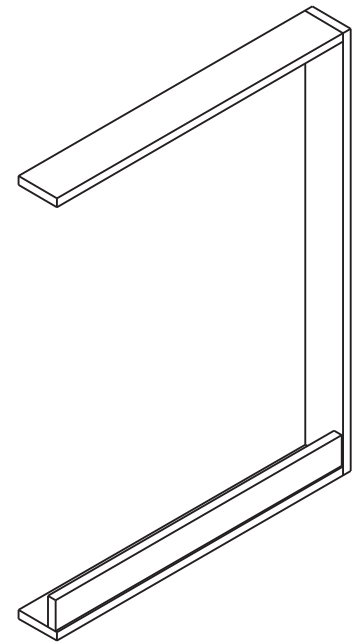
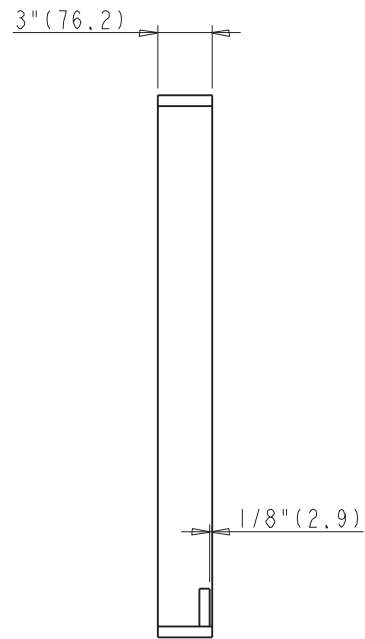
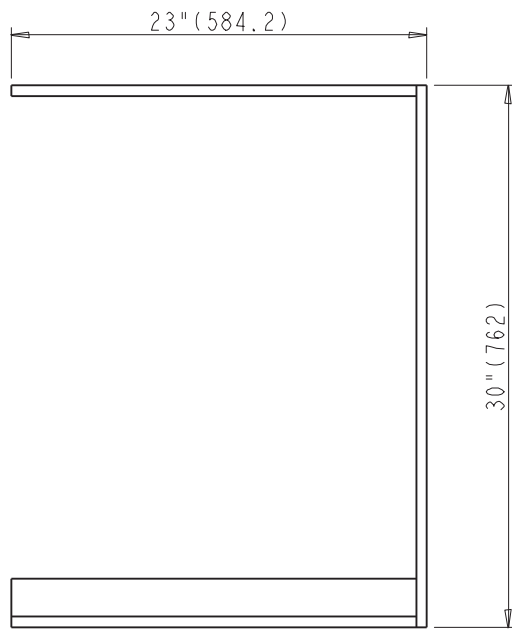



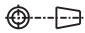
NO.	ITEM#	MATERIAL	QTY	UNIT WEIGHT	TOTL WEIGHT	TYPE	ASSY LEVEL
3	FLAT-PAD		1			PART	1
2	SCREW-METAL-M4-12		1			PART	1
1	FITTING-3		1			PART	1

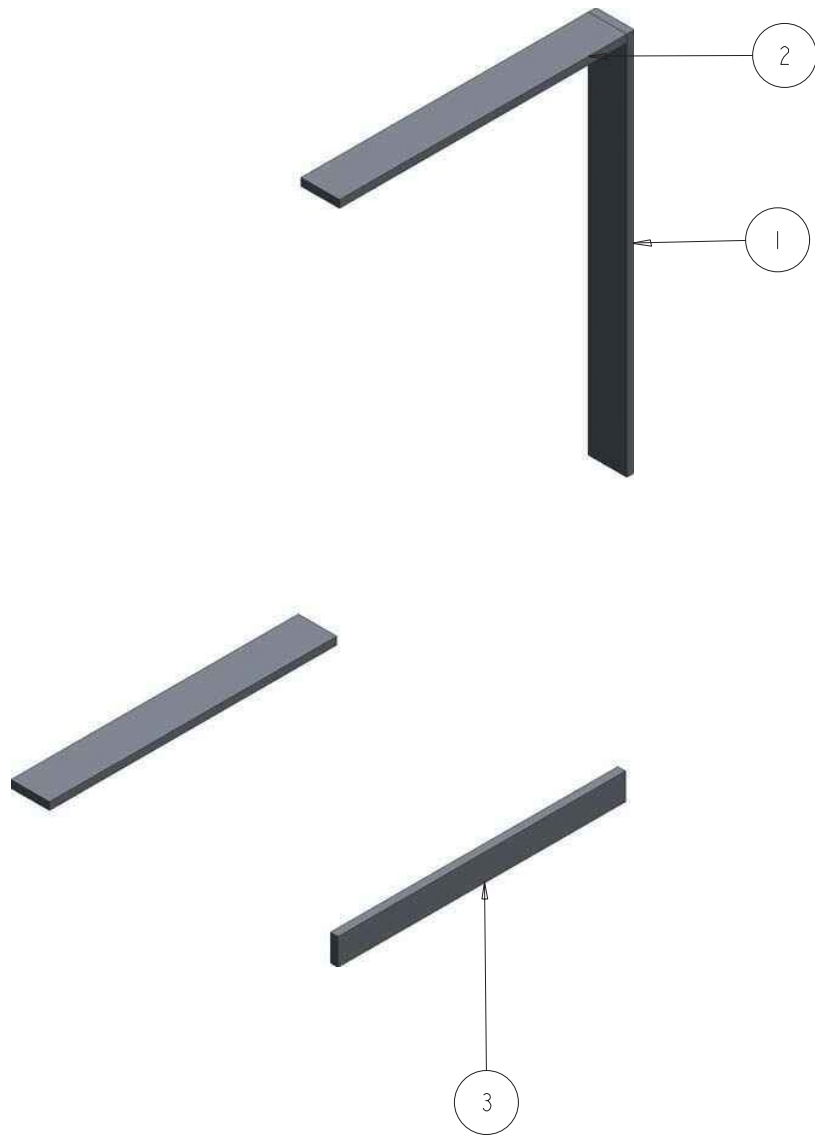
hardware resources	ITEM#	FITTING-3		MATERIAL	STEEL
	PRICE			WEIGHT	47.000
DESCRIPTION		PVC DIPPING		FINISH	
<small>THE INFORMATION CONTAINED HEREIN IS UNCLASSIFIED EXCEPT WHERE SHOWN OTHERWISE. ANY REPRODUCTION IN PART OR AS A WHOLE WITHOUT THE WRITTEN PERMISSION OF THE INFORMATION CONTAINED HEREIN IS PROHIBITED.</small>		<small>THIS INFORMATION IS UNCLASSIFIED EXCEPT WHERE SHOWN OTHERWISE.</small>	<small>DATE</small> 05-13-15	<small>BY</small> <i>Hugo.cai</i>	<small>DATE</small> 05-13-15
<small>THIS INFORMATION IS UNCLASSIFIED EXCEPT WHERE SHOWN OTHERWISE.</small>		<small>DATE</small> A4	<small>SHEETS</small> 1 OF 1	<small>DATE</small> 05-13-15	<small>DATE</small> 05-13-15



	ITEM: PEGBOARD		MATERIAL: Stainless steel 304
	PRICE:		QUANTITY: 2800,000
DESCRIPTION:	UNIT:		PERFORATION:
THE INFORMATION CONTAINED HEREIN IS UNCLASSIFIED EXCEPT WHERE SHOWN OTHERWISE. ANY REPRODUCTION IN PART OR AS A WHOLE WITHOUT THE WRITTEN PERMISSION OF HUGO & CO. IS PROHIBITED.	TECHNICAL DRAWING:	DATE: 05-13-15	SCALE:
NO SCALE	SIZE: A4	DATE:	DATE:
NO SCALE	SHEETS: 1 OF 1	DATE:	DATE:

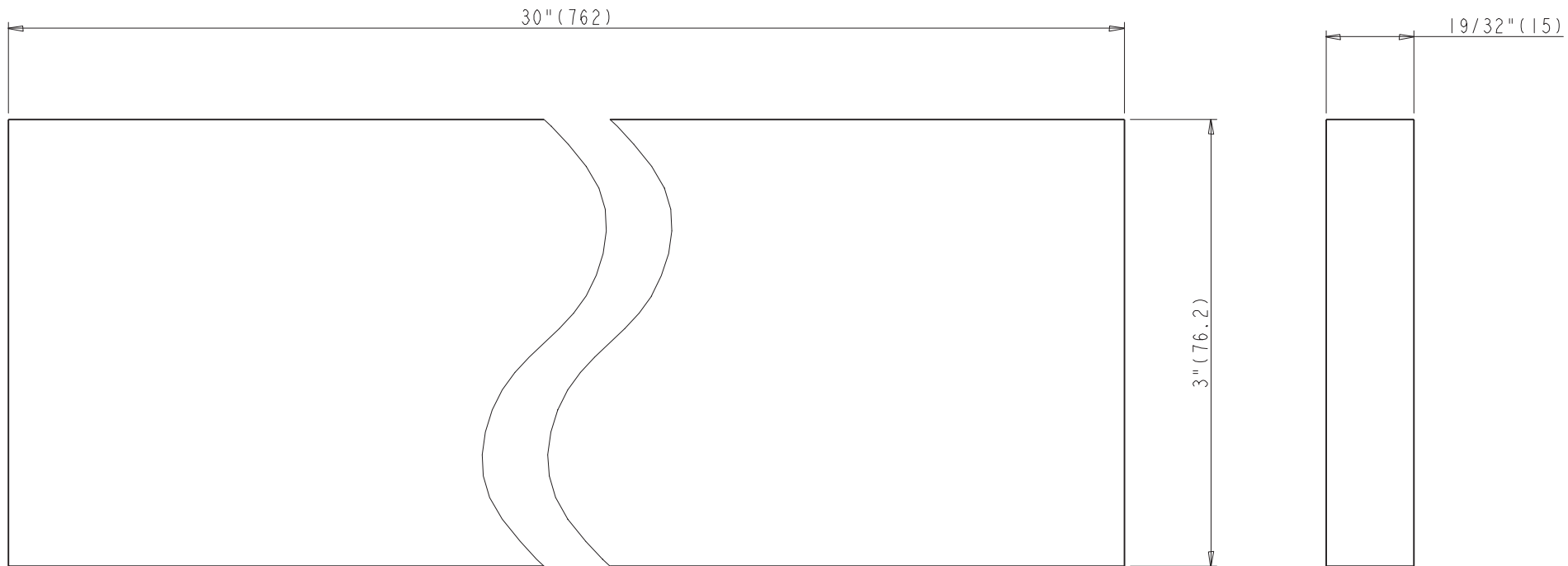



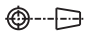
 PROPRIETARY AND CONFIDENTIAL THE INFORMATION CONTAINED IN THIS DRAWING IS THE SOLE PROPERTY OF HARDWARE RESOURCES INC. ANY REPRODUCTION IN PART OR AS A WHOLE WITHOUT THE WRITTEN PERMISSION OF HARDWARE RESOURCES INC. IS PROHIBITED.	ITEM: PEG-BOARD-3IN-MOUNT-FRAME FINISH:		MATERIAL: WEIGHT: 0.000 g PROJECTION: 	
	TOLERANCE UNLESS OTHERWISE SPECIFIED: X ±0.20 X.X ±0.10 X.XX ±0.05 ANGULAR: ±0.5° DO NOT SCALE DRAWING	UNITS: SIZE: A4 SHEET: 1 OF 2	DRAWN BY: <i>Hugo.cai</i> APPROVED BY: RELEASE LEVEL:	DATE: DATE: REVISION:

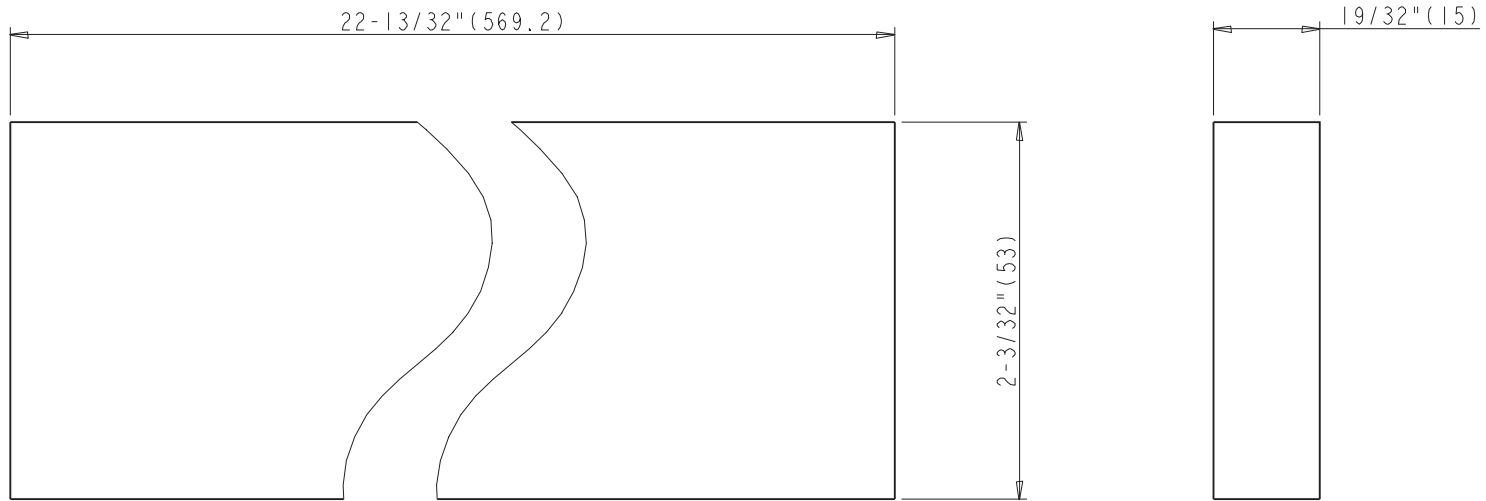



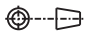
NO.	ITEM#	MATERIAL	QTY	UNIT	TOTL WEIGHT	TYPE	ASSY LEVEL
3	PEG-BOARD SLIDER-MOUNT-BOARD		1			PART	1
2	PEG-BOARD-3IN-HORIZON-BOARD		2			ASSEMBLY	1
1	PEG-BOARD-3IN-BACK-BOARD		1			ASSEMBLY	1

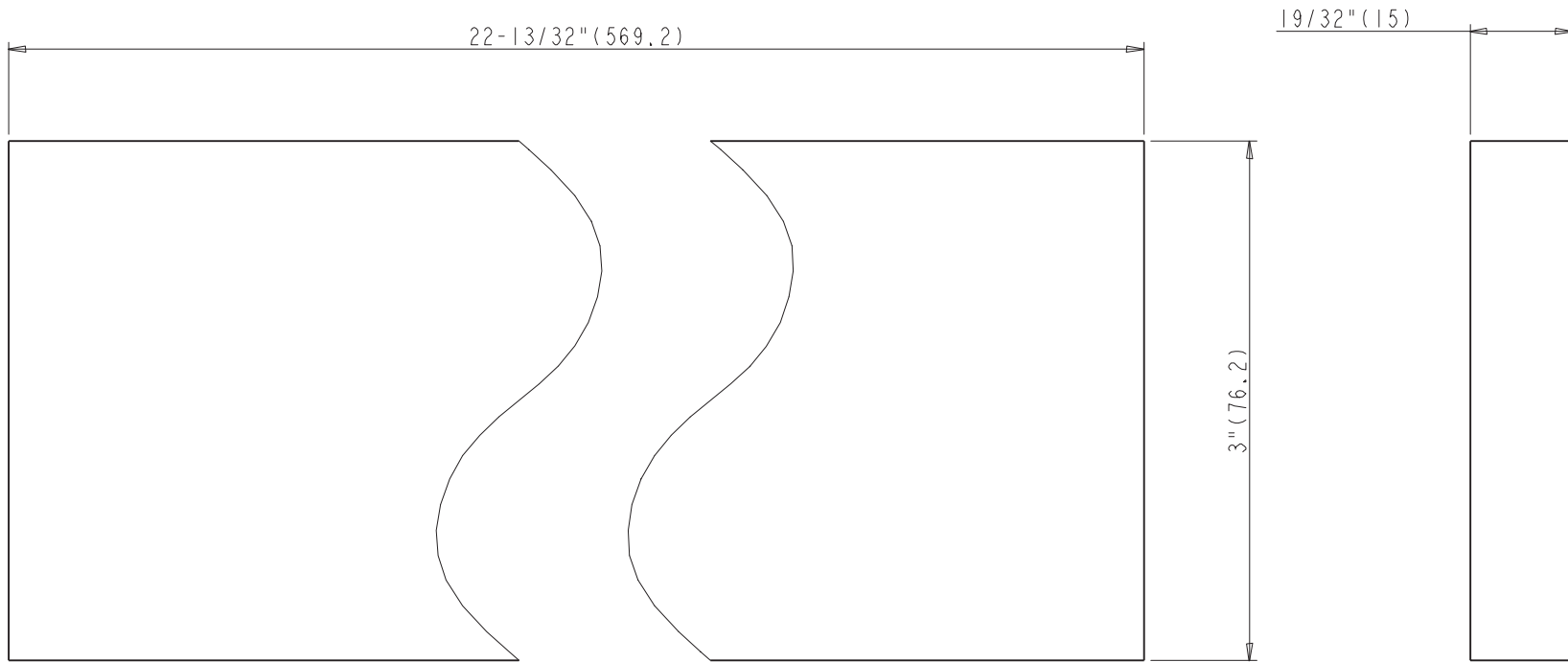
hardware resources <small>PROPRIETARY AND CONFIDENTIAL</small> <small>THE INFORMATION CONTAINED IN THIS DRAWING IS THE SOLE PROPERTY OF HARDWARE RESOURCES INC. ANY REPRODUCTION IN PART OR AS A WHOLE WITHOUT THE WRITTEN PERMISSION OF HARDWARE RESOURCES INC. IS PROHIBITED.</small>	ITEM#: PEG-BOARD-3IN-MOUNT-FRAME		MATERIAL:	
	FINISH:		WEIGHT: 0.000 g	
	TOLERANCE UNLESS OTHERWISE SPECIFIED: X ±0.20 X.X ±0.10 X.XX ±0.05 ANGULAR: ±0.5° DO NOT SCALE DRAWING		UNITS:	DRAWN BY: <i>Hugo.cai</i> DATE: APPROVED BY: DATE: RELEASE LEVEL: REVISION:


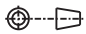


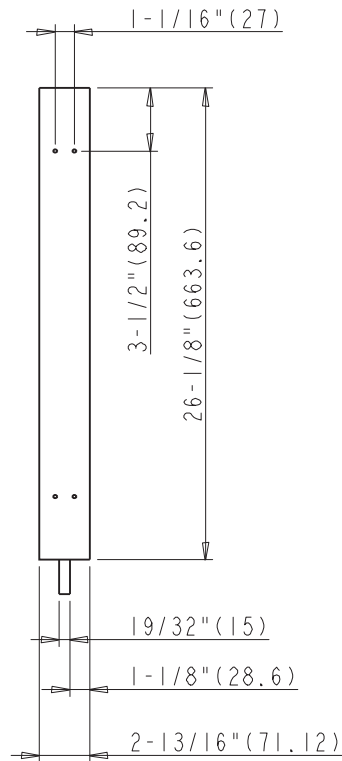
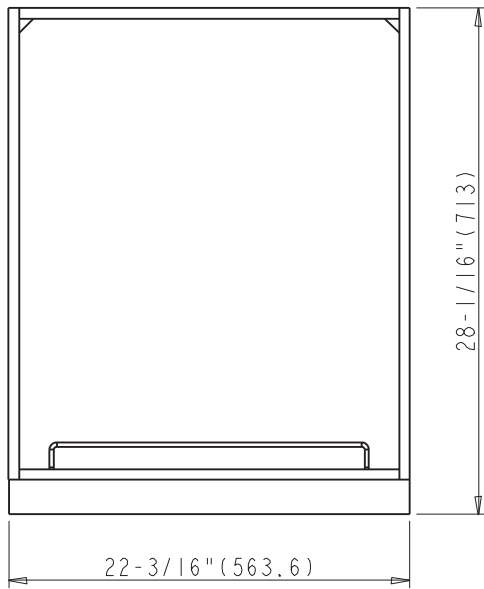
 PROPRIETARY AND CONFIDENTIAL THE INFORMATION CONTAINED IN THIS DRAWING IS THE SOLE PROPERTY OF HARDWARE RESOURCES INC. ANY REPRODUCTION IN PART OR AS A WHOLE WITHOUT THE WRITTEN PERMISSION OF HARDWARE RESOURCES INC. IS PROHIBITED.	ITEM: PEG-BOARD-3IN-BACK-BOARD		MATERIAL: PLY WOOD	
	FINISH:		WEIGHT: 0.000 g	
	PROJECTION 		DATE:	
	UNITS:		DRAWN BY: <i>Hugo. cat</i>	
APPROVED BY:		DATE:		
SIZE: A4		RELEASE LEVEL:		
SHEET: 1 OF 1		REVISION:		
DO NOT SCALE DRAWING				



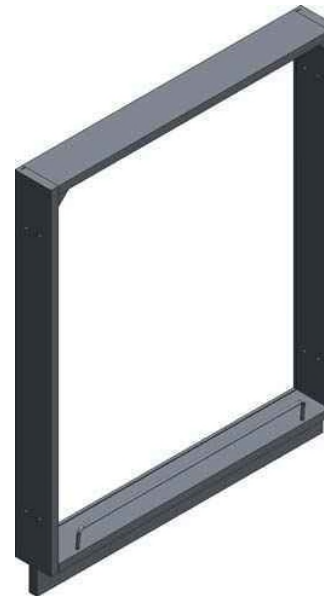
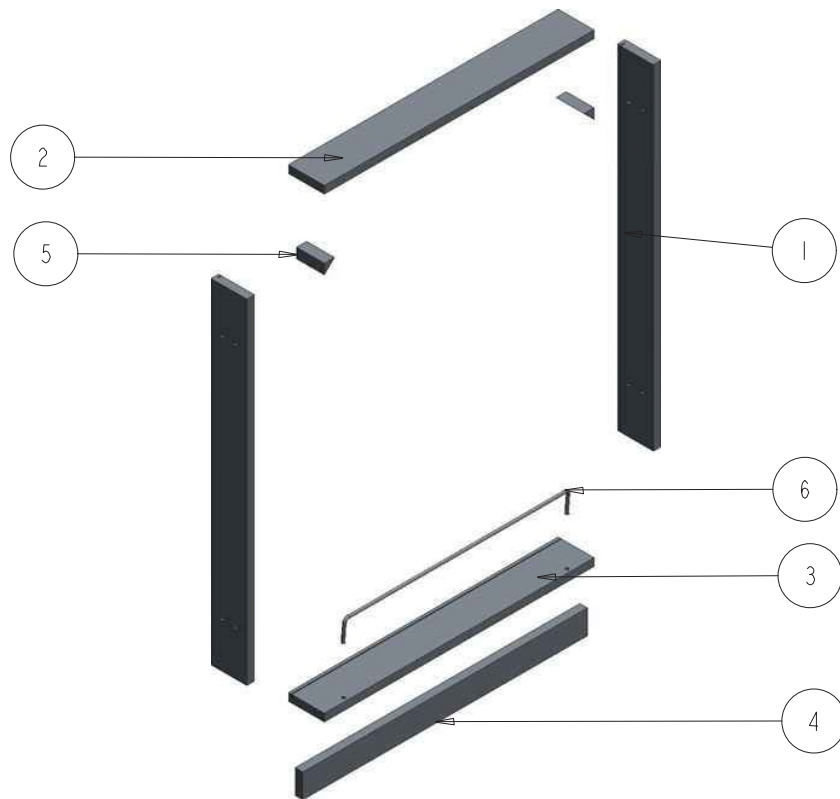
 PROPRIETARY AND CONFIDENTIAL THE INFORMATION CONTAINED IN THIS DRAWING IS THE SOLE PROPERTY OF HARDWARE RESOURCES INC. ANY REPRODUCTION IN PART OR AS A WHOLE WITHOUT THE WRITTEN PERMISSION OF HARDWARE RESOURCES INC. IS PROHIBITED.	ITEM#: PEG-BOARSLIDER-MOUNT-BOARD		MATERIAL: PLY WOOD		
	FINISH:		WEIGHT: 0.000 g		
	TOLERANCE UNLESS OTHERWISE SPECIFIED: X ±0.20 X.X ±0.10 X.XX ±0.05 ANGULAR: ±0.5° DO NOT SCALE DRAWING		UNITS: SIZE: A4 SHEET: 1 OF 1	DRAWN BY: <i>Hugo.cai</i> APPROVED BY: RELEASE LEVEL: REVISION:	PROJECTION:  DATE:



 PROPRIETARY AND CONFIDENTIAL THE INFORMATION CONTAINED IN THIS DRAWING IS THE SOLE PROPERTY OF HARDWARE RESOURCES INC. ANY REPRODUCTION IN PART OR AS A WHOLE WITHOUT THE WRITTEN PERMISSION OF HARDWARE RESOURCES INC. IS PROHIBITED.	ITEM: PEG-BOARD-3IN-HORIZON-BOARD		MATERIAL: PLY WOOD	
	FINISH:		WEIGHT: 0.000 g	
	TOLERANCE UNLESS OTHERWISE SPECIFIED: X ±0.20 X.X ±0.10 X.XX ±0.05 ANGULAR: ±0.5° DO NOT SCALE DRAWING		UNITS: A4	PROJECTION: 
	DATE:		DRAWN BY: <i>Hugo.cai</i>	DATE:
APPROVED BY:		RELEASE LEVEL:	REVISION:	
SHEET: 1 OF 1				

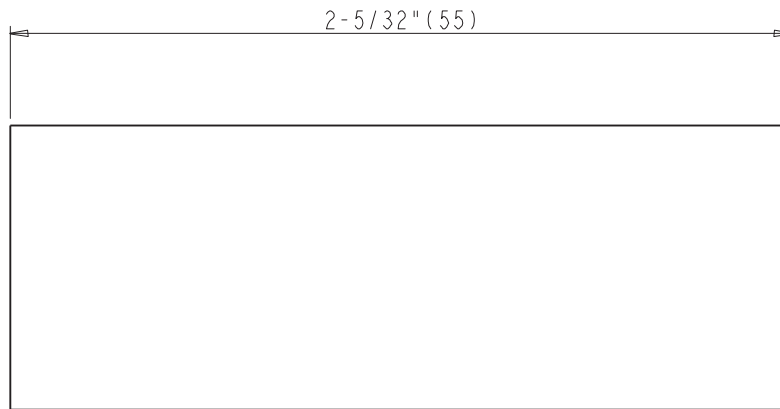
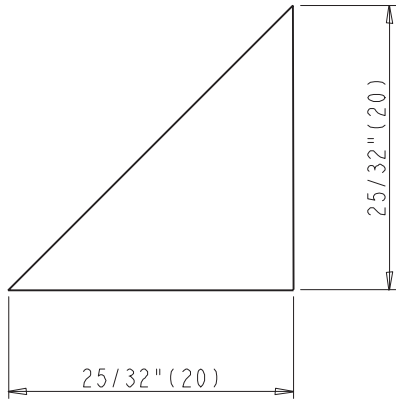



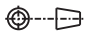
	ITEM#: PEG-BOARD-3IN-PULL-FRAME		MATERIAL:			
	FINISH:		WEIGHT: 0.000 g			
PROPRIETARY AND CONFIDENTIAL THE INFORMATION CONTAINED IN THIS DRAWING IS THE SOLE PROPERTY OF HARDWARE RESOURCES INC. ANY REPRODUCTION IN PART OR AS A WHOLE WITHOUT THE WRITTEN PERMISSION OF HARDWARE RESOURCES INC. IS PROHIBITED.	TOLERANCE UNLESS OTHERWISE SPECIFIED: X ±0.20 X.X ±0.10 X.XX ±0.05 ANGULAR: ±0.5° DO NOT SCALE DRAWING		UNITS: A4	DRAWN BY: <i>Hugo.cai</i>	PROJECTION:	
	APPROVED BY:		DATE:	DATE:		
	SHEET: 1 OF 2		RELEASE LEVEL:	REVISION:		

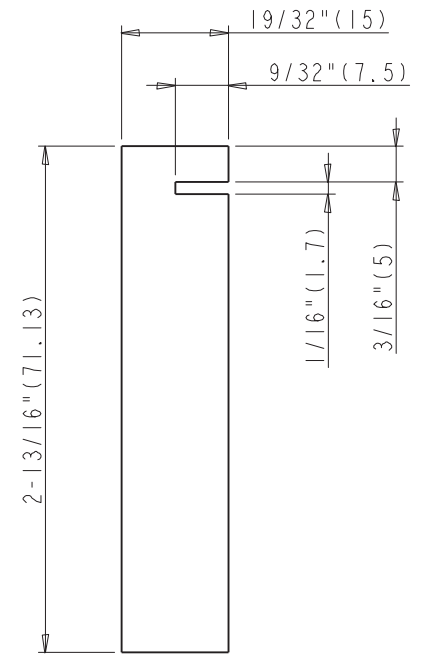
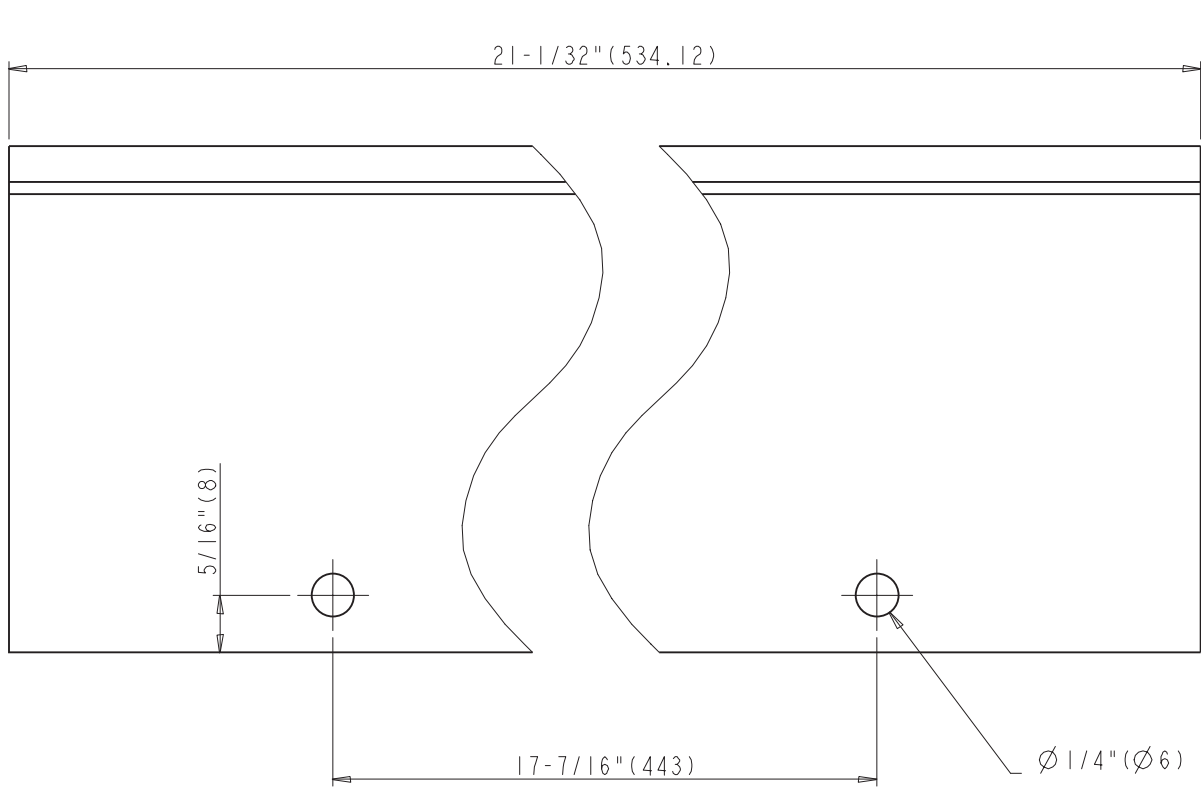


6	PEG-BOARD-3IN-STICK	STEEL	1			PART	1
5	PEG-BOARD-3IN-BLOCK		2			PART	1
4	PEG-BOARD-3IN-MOVABLE		1			ASSEMBLY	1
3	PEG-BOARD-3IN-FIXED-SHELF-BTM		1			ASSEMBLY	1
2	PEG-BOARD-3IN-FIXED-SHELF-TOP		1			ASSEMBLY	1
1	PEG-BOARD-3IN-FRONT-BOARD		2			ASSEMBLY	1
NO.	ITEM#	MATERIAL	QTY	UNIT	TOTL	TYPE	ASSY
				WEIGHT	WEIGHT		LEVEL

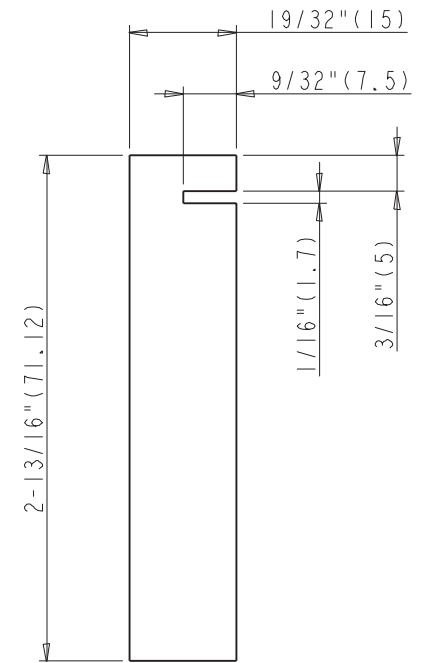
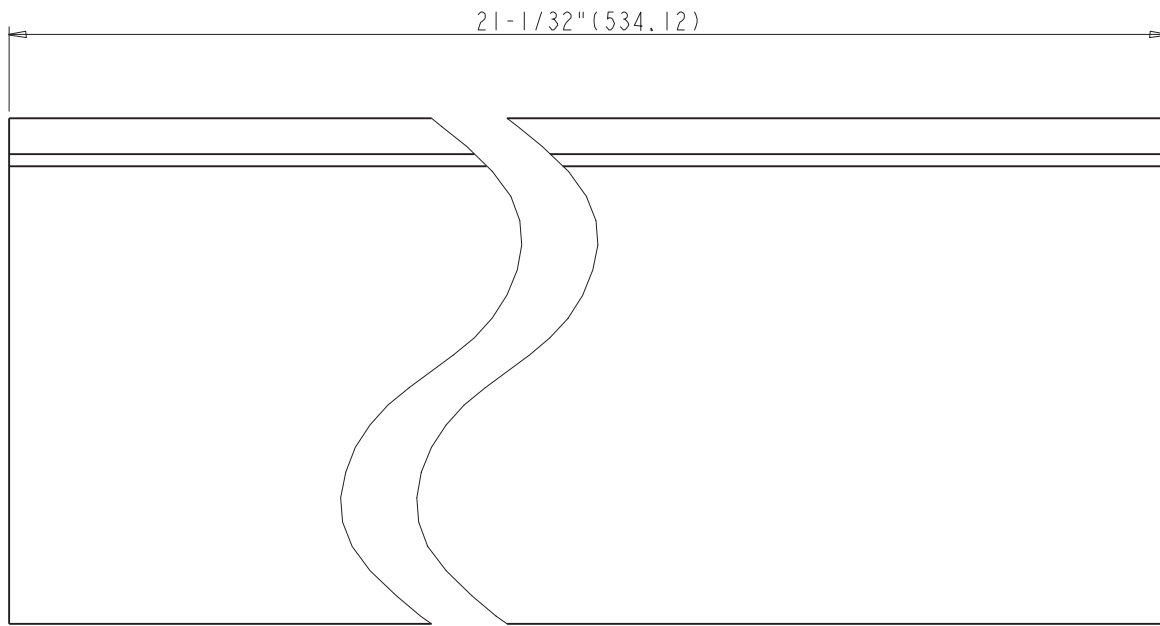
	ITEM#:		MATERIAL#:	
	PEG-BOARD-3IN-PULL-FRAME			
FINISH#:		WEIGHT:		0.000 g
PROJECTION:				
<p>PROPRIETARY AND CONFIDENTIAL</p> <p>THE INFORMATION CONTAINED IN THIS DRAWING IS THE SOLE PROPERTY OF HARDWARE RESOURCES INC. ANY REPRODUCTION IN PART OR AS A WHOLE WITHOUT THE WRITTEN PERMISSION OF HARDWARE RESOURCES INC. IS PROHIBITED.</p>	TOLERANCE UNLESS OTHERWISE SPECIFIED: X ±0.20 X.X ±0.10 X.XX ±0.05 ANGULAR: ±0.5° DO NOT SCALE DRAWING		UNITS: DRAWN BY: <i>Hugo.cai</i>	DATE:
	SIZE:		APPROVED BY:	DATE:
	SHEET:		RELEASE LEVEL:	REVISION:


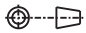


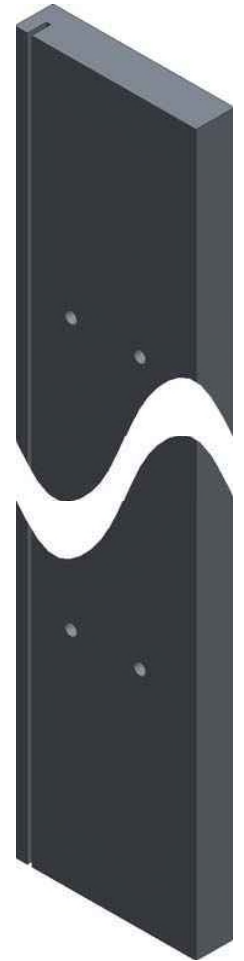
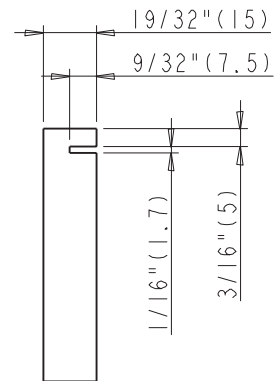
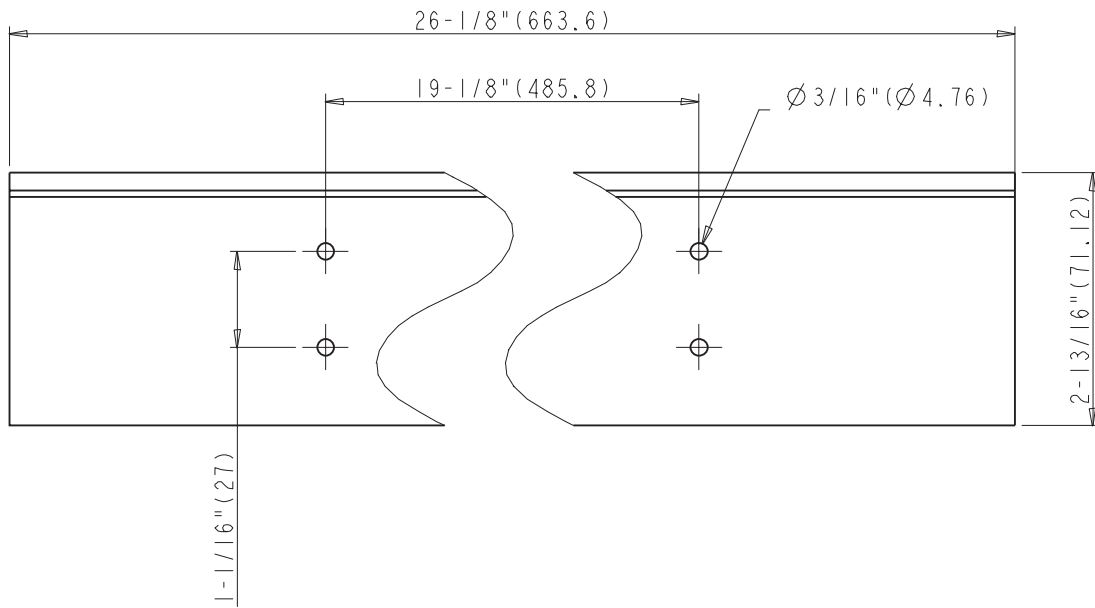
	ITEM#: PEG-BOARD-3IN-BLOCK		MATERIAL: MAPLE		
	FINISH:		WEIGHT: 0.000 g		
PROPRIETARY AND CONFIDENTIAL THE INFORMATION CONTAINED IN THIS DRAWING IS THE SOLE PROPERTY OF HARDWARE RESOURCES INC. ANY REPRODUCTION IN PART OR AS A WHOLE WITHOUT THE WRITTEN PERMISSION OF HARDWARE RESOURCES INC. IS PROHIBITED.	TOLERANCE UNLESS OTHERWISE SPECIFIED: X ±0.20 X.X ±0.10 X.XX ±0.05 ANGULAR: ±0.5°		UNITS: SIZE: A4 SHEET: 1 OF 1	DRAWN BY: <i>Hugo.cai</i>	PROJECTION: 
	DO NOT SCALE DRAWING		APPROVED BY:	DATE:	
			RELEASE LEVEL:	REVISION:	



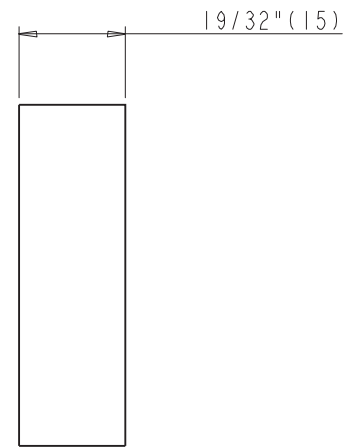
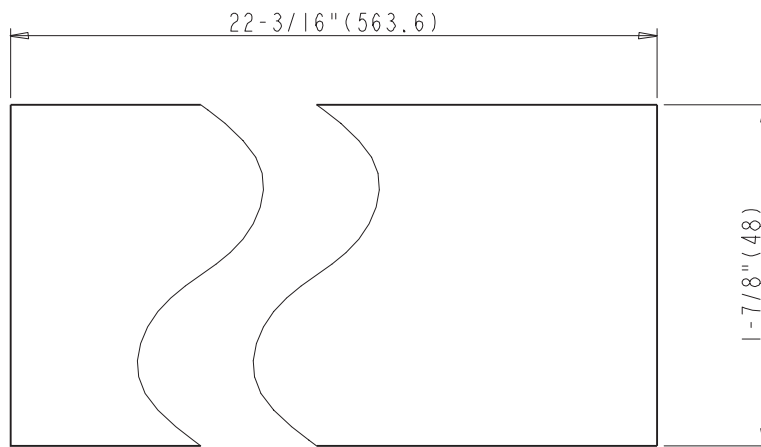
	ITEM#: PEG-BOARD-3IN-FIXED-SHELF-BTM		MATERIAL: Maple		
	FINISH:		WEIGHT: 0.000 g		
PROPRIETARY AND CONFIDENTIAL THE INFORMATION CONTAINED IN THIS DRAWING IS THE SOLE PROPERTY OF HARDWARE RESOURCES INC. ANY REPRODUCTION IN PART OR AS A WHOLE WITHOUT THE WRITTEN PERMISSION OF HARDWARE RESOURCES INC. IS PROHIBITED.	TOLERANCE UNLESS OTHERWISE SPECIFIED: X ±0.20 X.X ±0.10 X.XX ±0.05 ANGULAR: ±0.5°		UNITS: A4	DRAWN BY: <i>Hugo.cai</i>	PROJECTION:
	DO NOT SCALE DRAWING		SHEET: 1 OF 1	APPROVED BY:	DATE:
			RELEASE LEVEL:	REVISION:	


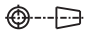


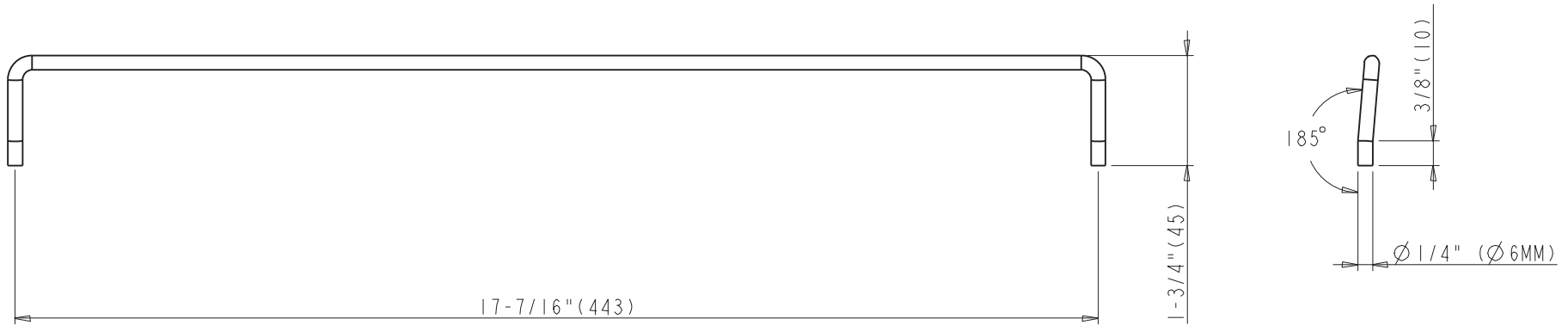
 PROPRIETARY AND CONFIDENTIAL THE INFORMATION CONTAINED IN THIS DRAWING IS THE SOLE PROPERTY OF HARDWARE RESOURCES INC. ANY REPRODUCTION IN PART OR AS A WHOLE WITHOUT THE WRITTEN PERMISSION OF HARDWARE RESOURCES INC. IS PROHIBITED.	ITEM#: PEG-BOARD-3IN-FIXED-SHELF-TOP	MATERIAL: Maple
	FINISH:	WEIGHT: 0.000 g
TOLERANCE UNLESS OTHERWISE SPECIFIED: X ±0.20 X.X ±0.10 X.XX ±0.05 ANGULAR: ±0.5° DO NOT SCALE DRAWING	UNITS:	PROJECTION: 
	SIZE: A4	DATE:
	SHEET: 1 OF 1	DATE:
	RELEASE LEVEL:	REVISION:


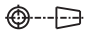


	ITEM:	PEG-BOARD-3IN-FRONT-BOARD		MATERIAL:	Maple
	FINISH:			WEIGHT:	0.000 g
PROPRIETARY AND CONFIDENTIAL THE INFORMATION CONTAINED IN THIS DRAWING IS THE SOLE PROPERTY OF HARDWARE RESOURCES INC. ANY REPRODUCTION IN PART OR AS A WHOLE WITHOUT THE WRITTEN PERMISSION OF HARDWARE RESOURCES INC. IS PROHIBITED.	TOLERANCE UNLESS OTHERWISE SPECIFIED: X ±0.20 X.X ±0.10 X.XX ±0.05 ANGULAR: ±0.5° DO NOT SCALE DRAWING	UNITS: SIZE: A4 SHEET: 1 OF 1	DRAWN BY: 	PROJECTION: 	DATE: DATE: REVISION:



	ITEM#: PEG-BOARD-3IN-MOVABLE		MATERIAL: PLY WOOD		
	FINISH:		WEIGHT: 0.000 g		
<p>PROPRIETARY AND CONFIDENTIAL</p> <p>THE INFORMATION CONTAINED IN THIS DRAWING IS THE SOLE PROPERTY OF HARDWARE RESOURCES INC. ANY REPRODUCTION IN PART OR AS A WHOLE WITHOUT THE WRITTEN PERMISSION OF HARDWARE RESOURCES INC. IS PROHIBITED.</p>	<p>PROJECTION</p> 		DATE:		
	<p>TOLENRANCE UNLESS OTHERWISE SPECIFIED:</p> <p>I ±0.20</p> <p>II ±0.10</p> <p>III ±0.05</p> <p>ANGULAR: ±0.5°</p> <p>DO NOT SCALE DRAWING</p>		<p>UNITS:</p> <p>SIZE: A4</p> <p>SHEET: 1 OF 1</p>	<p>DRAWN BY: <i>Hugo.cai</i></p> <p>APPROVED BY:</p>	DATE:
			RELEASE LEVEL:	REVISION:	



 PROPRIETARY AND CONFIDENTIAL THE INFORMATION CONTAINED IN THIS DRAWING IS THE SOLE PROPERTY OF HARDWARE RESOURCES INC. ANY REPRODUCTION IN PART OR AS A WHOLE WITHOUT THE WRITTEN PERMISSION OF HARDWARE RESOURCES INC. IS PROHIBITED.	ITEM:	PEG-BOARD-3IN-STICK		MATERIAL:	STEEL
	FINISH:			WEIGHT:	115 g
	TOLERANCE UNLESS OTHERWISE SPECIFIED:	UNITS:	DRAWN BY:	PROJECTION:	DATE:
	X ±0.20		<i>Hugo. cai</i>		
	X.X ±0.10	SIZE:	APPROVED BY:		DATE:
	X.XX ±0.05	SHEET:	RELEASE LEVEL:	REVISION:	
	ANGULAR: ±0.5°				
	DO NOT SCALE DRAWING				