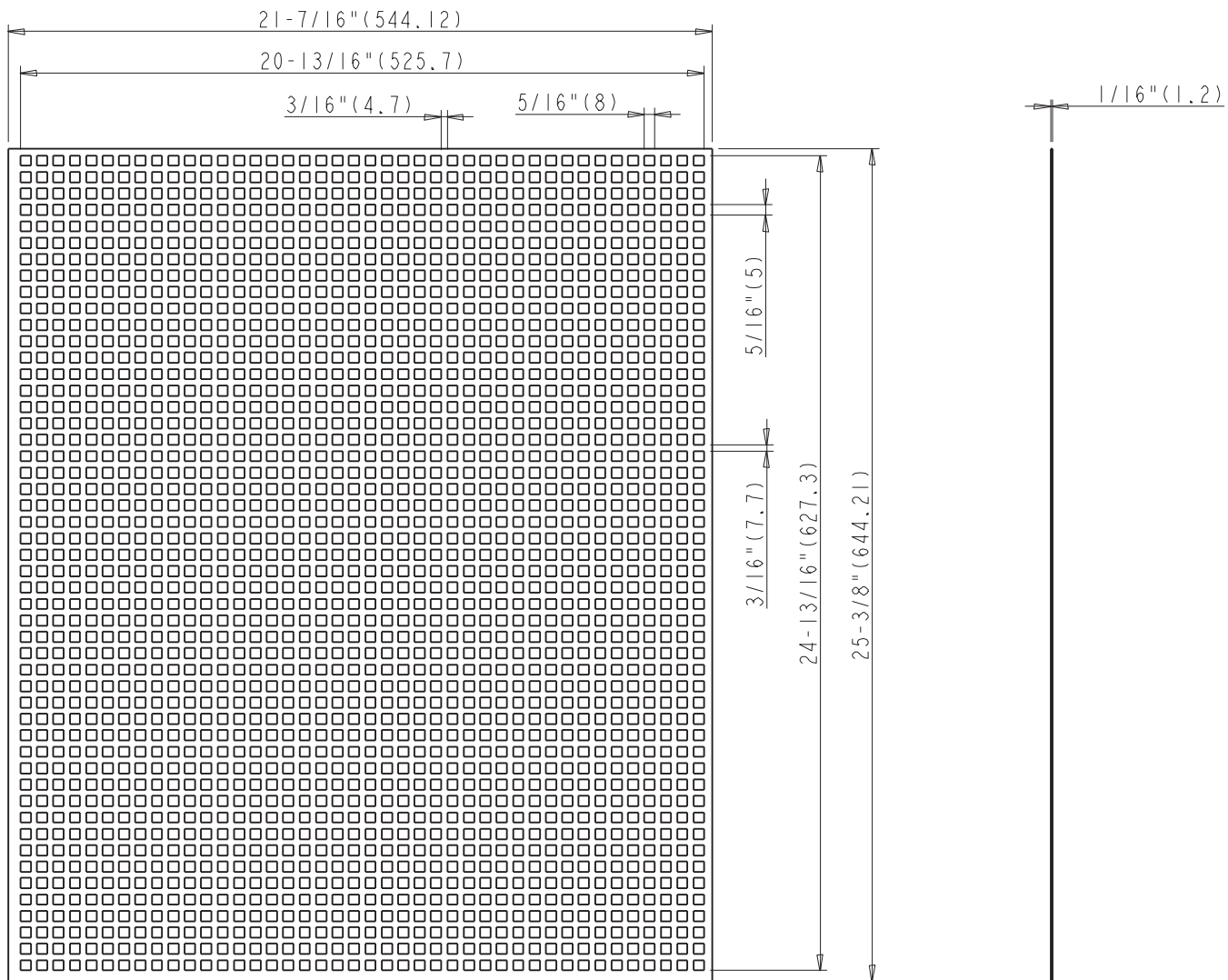
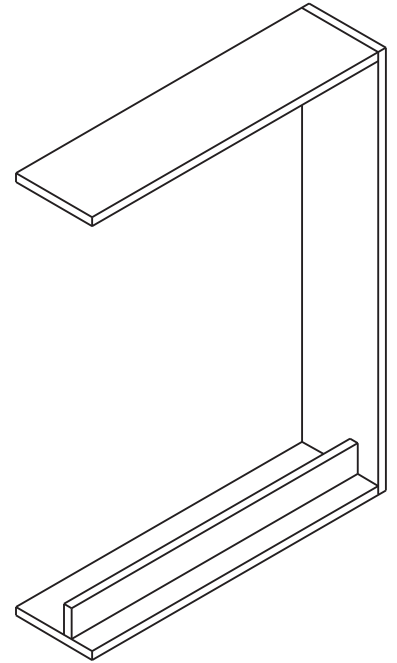
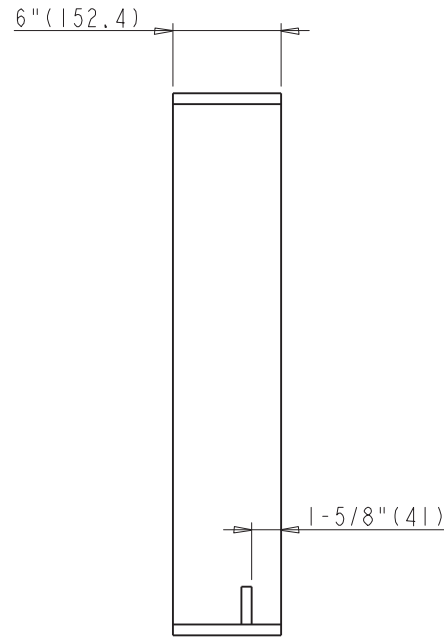
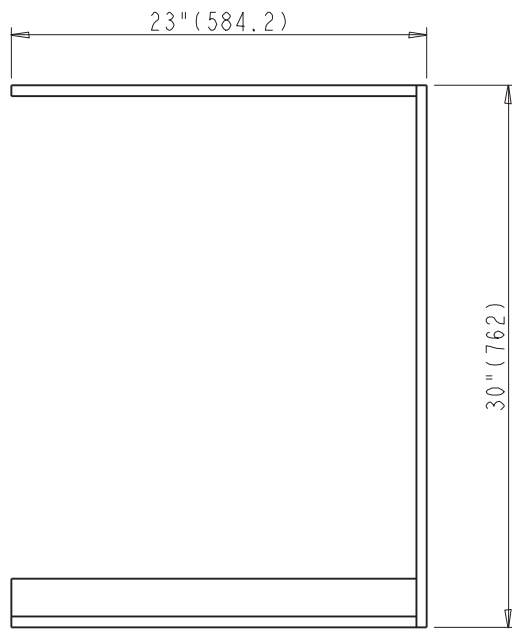


NO.	ITEM#	MATERIAL	QTY	UNIT WEIGHT	TOTL WEIGHT	TYPE	ASSY LEVEL
3	FLAT-PAD		1			PART	1
2	SCREW-METAL-M4-12		1			PART	1
1	FITTING-3		1			PART	1

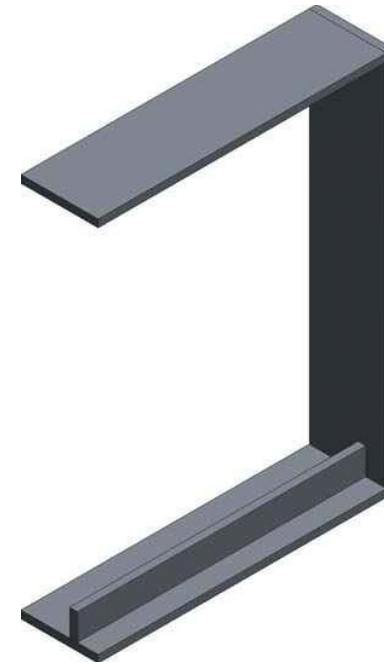
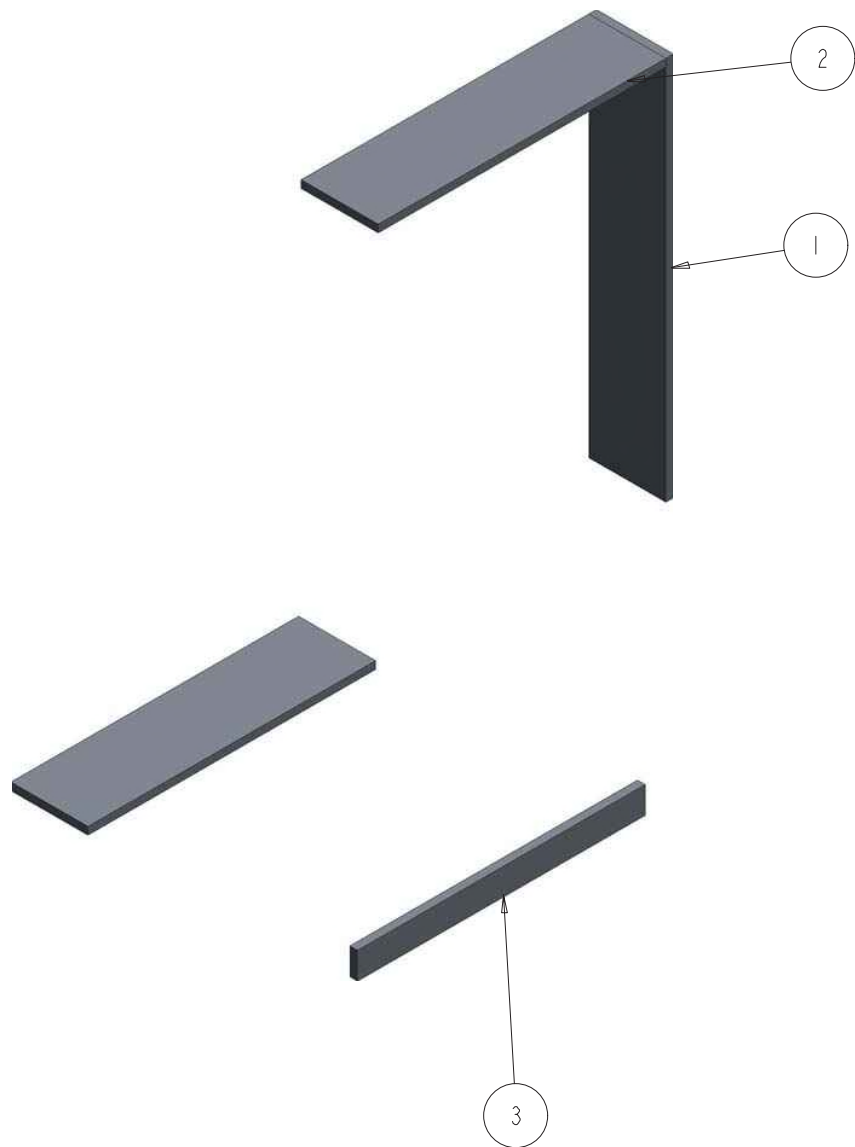
hardware resources	ITEM#	FITTING-3		MATERIAL	STEEL
	PRICE	PVC DIPPING		WEIGHT	47.000
<small> THE INFORMATION CONTAINED HEREIN IS UNCLASSIFIED EXCEPT WHERE SHOWN OTHERWISE ANY REPRODUCTION IN PART OR AS A WHOLE WITHOUT THE WRITTEN PERMISSION OF THE INFORMATION SYSTEMS DIVISION IS PROHIBITED </small>	<small> THIS DOCUMENT IS UNCLASSIFIED EXCEPT WHERE SHOWN OTHERWISE ANY REPRODUCTION IN PART OR AS A WHOLE WITHOUT THE WRITTEN PERMISSION OF THE INFORMATION SYSTEMS DIVISION IS PROHIBITED </small>	<small> DATE 05-13-15 </small>	<small> BY Hugo. cat </small>	<small> SHEETS 1 OF 1 </small>	<small> DATE 05-13-15 </small>



	ITEM: PEGBOARD		MATERIAL: Stainless steel 304
	QTY: 2800,000		FINISH:
DESCRIPTION:	UNIT:		DATE:
THE INFORMATION CONTAINED HEREIN IS UNCLASSIFIED EXCEPT WHERE SHOWN OTHERWISE. ANY REPRODUCTION IN PART OR AS A WHOLE WITHOUT THE WRITTEN PERMISSION OF HUGO BOSS IS PROHIBITED.	DATE: 05-13-15	BY:	DATE:
NO INFORMATION IS TO BE RELEASED TO THE PUBLIC WITHOUT THE WRITTEN PERMISSION OF HUGO BOSS.	SIZE: A4	NO INFORMATION IS TO BE RELEASED TO THE PUBLIC WITHOUT THE WRITTEN PERMISSION OF HUGO BOSS.	NO INFORMATION IS TO BE RELEASED TO THE PUBLIC WITHOUT THE WRITTEN PERMISSION OF HUGO BOSS.
NO INFORMATION IS TO BE RELEASED TO THE PUBLIC WITHOUT THE WRITTEN PERMISSION OF HUGO BOSS.	SHEETS: 1 OF 1	NO INFORMATION IS TO BE RELEASED TO THE PUBLIC WITHOUT THE WRITTEN PERMISSION OF HUGO BOSS.	NO INFORMATION IS TO BE RELEASED TO THE PUBLIC WITHOUT THE WRITTEN PERMISSION OF HUGO BOSS.

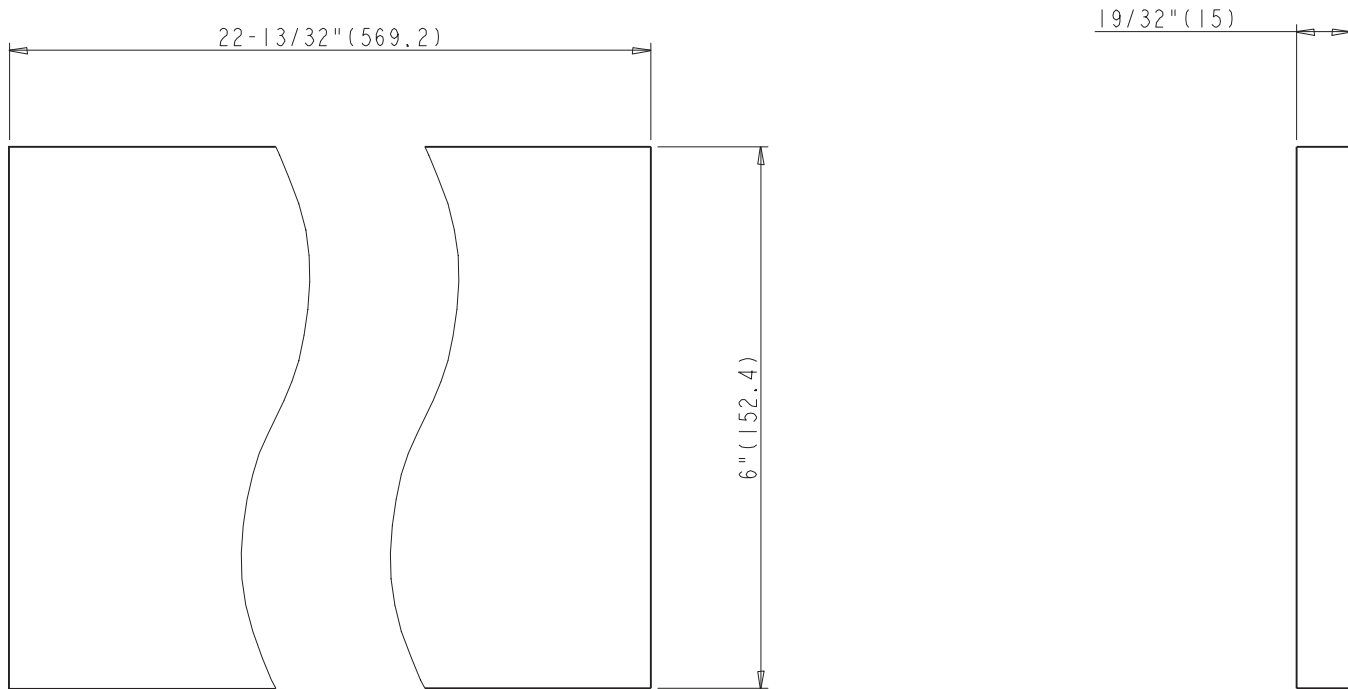



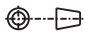
<p>PROPRIETARY AND CONFIDENTIAL</p> <p>THE INFORMATION CONTAINED IN THIS DRAWING IS THE SOLE PROPERTY OF HARDWARE RESOURCES INC. ANY REPRODUCTION IN PART OR AS A WHOLE WITHOUT THE WRITTEN PERMISSION OF HARDWARE RESOURCES INC. IS PROHIBITED.</p> <p>DO NOT SCALE DRAWING</p>	ITEM: PEG-BOARD-6 IN-MOUNT-FRAME		MATERIAL:	
	FINISH:		WEIGHT: 0.000 g	
	TOLERANCE UNLESS OTHERWISE SPECIFIED: X ±0.20 X.X ±0.10 X.XX ±0.05 ANGULAR: ±0.5°		PROJECTION: 	
	UNITS:		DRWN BY: <i>Hugo.cai</i>	
APPROVED BY:		DATE:		
SIZE: A4		RELEASE LEVEL:		
SHEET: 1 OF 2		REVISION:		

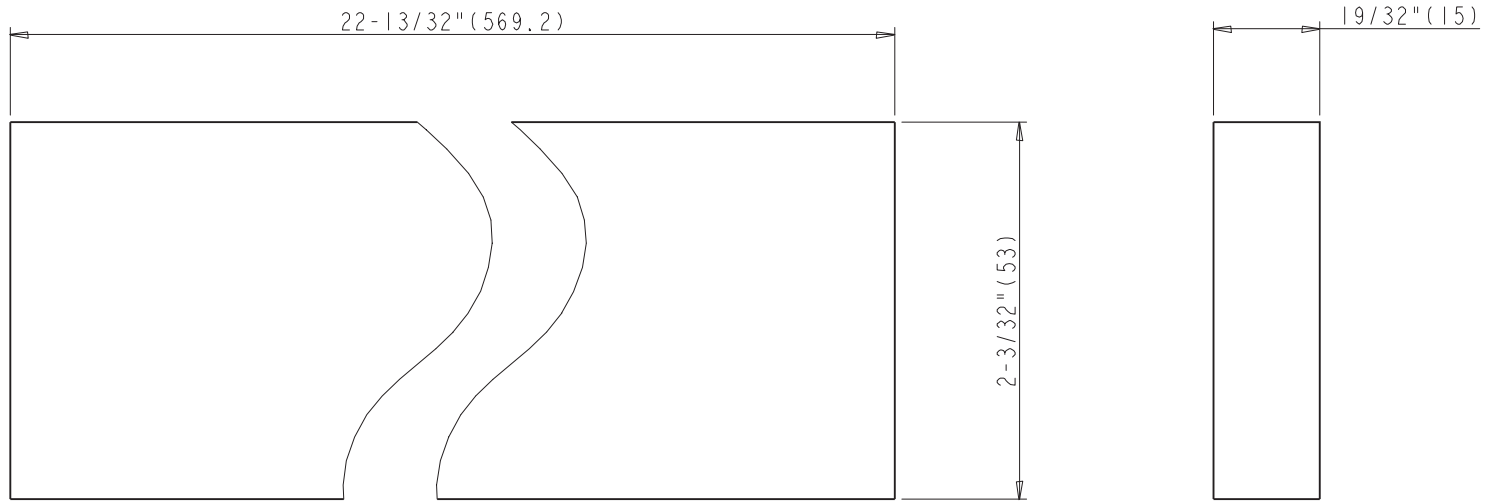



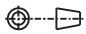
NO.	ITEM#	MATERIAL	QTY	UNIT	TOTL WEIGHT	TYPE	ASSY LEVEL
3	PEG-BOARDSLIDER-MOUNT-BOARD		1			PART	I
2	PEG-BOARD-3IN-HORIZON-BOARD		2			ASSEMBLY	I
1	PEG-BOARD-3IN-BACK-BOARD		1			ASSEMBLY	I

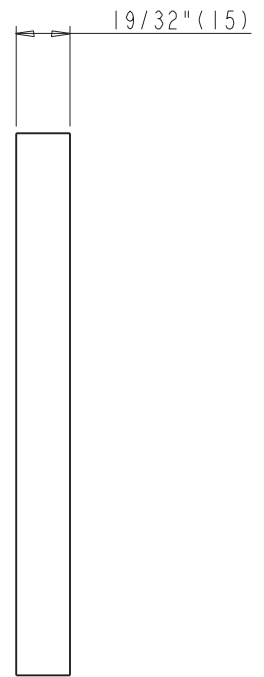
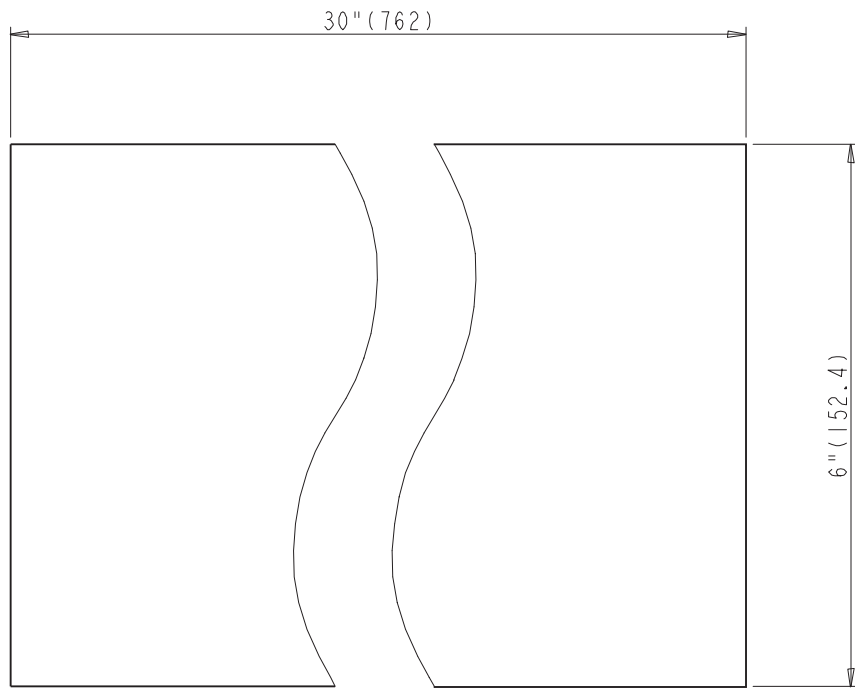
hardware resources PROPRIETARY AND CONFIDENTIAL THE INFORMATION CONTAINED IN THIS DRAWING IS THE SOLE PROPERTY OF HARDWARE RESOURCES INC. ANY REPRODUCTION IN PART OR AS A WHOLE WITHOUT THE WRITTEN PERMISSION OF HARDWARE RESOURCES INC. IS PROHIBITED.	ITEM#: PEG-BOARD-6 IN-MOUNT-FRAME FINISH:		MATERIAL: WEIGHT: 0.000 g PROJECTION:	
	TOLERANCE UNLESS OTHERWISE SPECIFIED: X ±0.20 X.X ±0.10 X.XX ±0.05 ANGULAR: ±0.5° DO NOT SCALE DRAWING	UNITS:	DRAWN BY: <i>Hugo.cai</i> APPROVED BY:	DATE:
	SIZE:	SHEET:	RELEASE LEVEL:	REVISION:


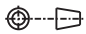


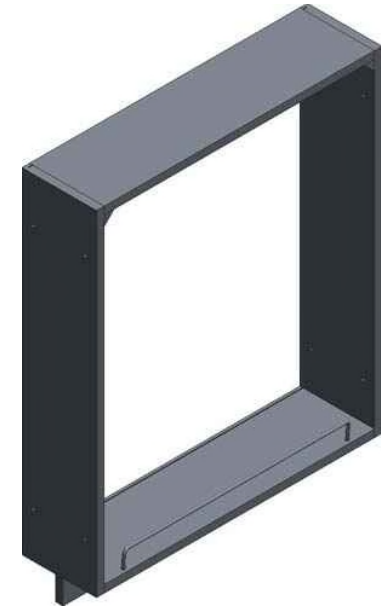
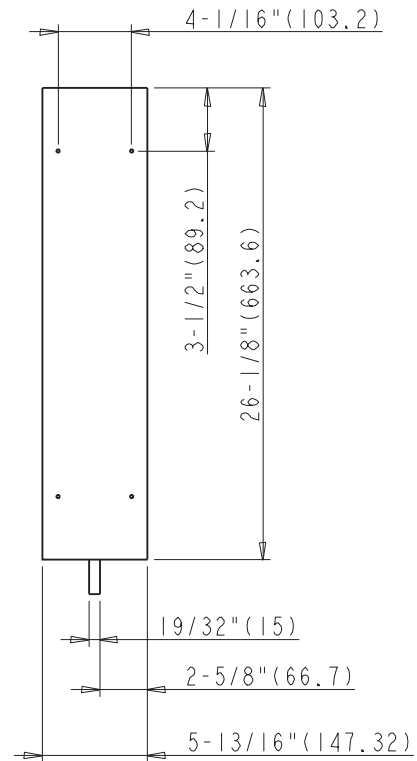
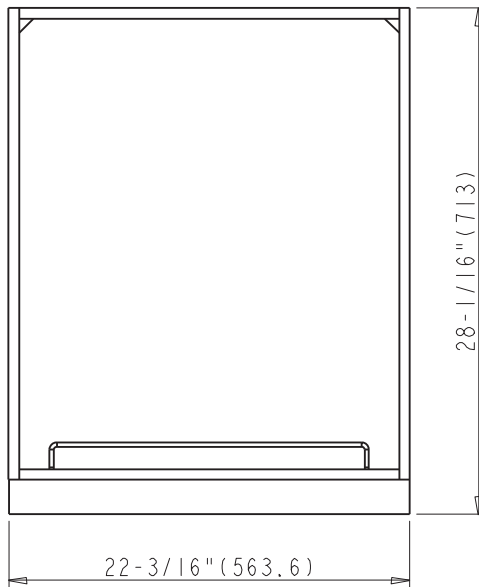
	ITEM#: PEG-BOARD-6IN-HORIZON-BOARD		MATERIAL: PLY WOOD		
	FINISH:		WEIGHT: 0.000 g		
PROPRIETARY AND CONFIDENTIAL THE INFORMATION CONTAINED IN THIS DRAWING IS THE SOLE PROPERTY OF HARDWARE RESOURCES INC. ANY REPRODUCTION IN PART OR AS A WHOLE WITHOUT THE WRITTEN PERMISSION OF HARDWARE RESOURCES INC. IS PROHIBITED.	TOLERANCE UNLESS OTHERWISE SPECIFIED: X ±0.20 X.X ±0.10 X.XX ±0.05 ANGULAR: ±0.5°		UNITS: SIZE: A4 SHEET: 1 OF 1	DRAWN BY: <i>Hugo.cai</i>	PROJECTION: 
	DO NOT SCALE DRAWING		APPROVED BY:	DATE:	
			RELEASE LEVEL:	REVISION:	


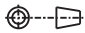


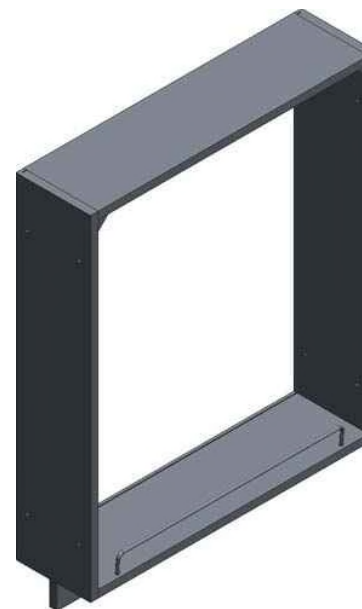
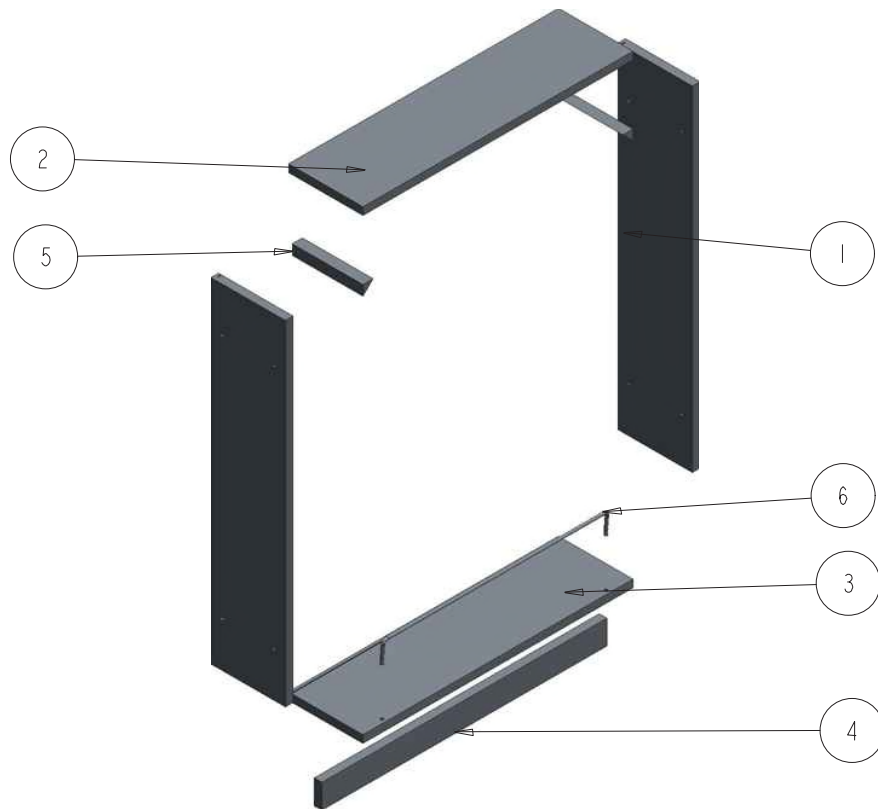
 PROPRIETARY AND CONFIDENTIAL THE INFORMATION CONTAINED IN THIS DRAWING IS THE SOLE PROPERTY OF HARDWARE RESOURCES INC. ANY REPRODUCTION IN PART OR AS A WHOLE WITHOUT THE WRITTEN PERMISSION OF HARDWARE RESOURCES INC. IS PROHIBITED.	ITEM: PEG-BOARD-6 IN-MOUNT-BOARD FINISH:		MATERIAL: PLY WOOD WEIGHT: 0.000 g PROJECTION: 	
	TOLERANCE UNLESS OTHERWISE SPECIFIED: X ±0.20 X.X ±0.10 X.XX ±0.05 ANGULAR: ±0.5° DO NOT SCALE DRAWING		UNITS: SIZE: A4 SHEET: 1 OF 1	DRAWN BY: <i>Hugo.cai</i> APPROVED BY: RELEASE LEVEL: DATE: REVISION:



	ITEM#: PEG-BOARD-6 IN-BACK-BOARD		MATERIAL: PLY WOOD		
	FINISH:		WEIGHT: 0.000 g		
PROPRIETARY AND CONFIDENTIAL THE INFORMATION CONTAINED IN THIS DRAWING IS THE SOLE PROPERTY OF HARDWARE RESOURCES INC. ANY REPRODUCTION IN PART OR AS A WHOLE WITHOUT THE WRITTEN PERMISSION OF HARDWARE RESOURCES INC. IS PROHIBITED.	TOLERANCE UNLESS OTHERWISE SPECIFIED: X ±0.20 X.X ±0.10 X.XX ±0.05 ANGULAR: ±0.5° DO NOT SCALE DRAWING		UNITS: SIZE: A4 SHEET: 1 OF 1	DRAWN BY: <i>Hugo.cai</i> APPROVED BY: RELEASE LEVEL:	PROJECTION:  DATE: DATE: REVISION:

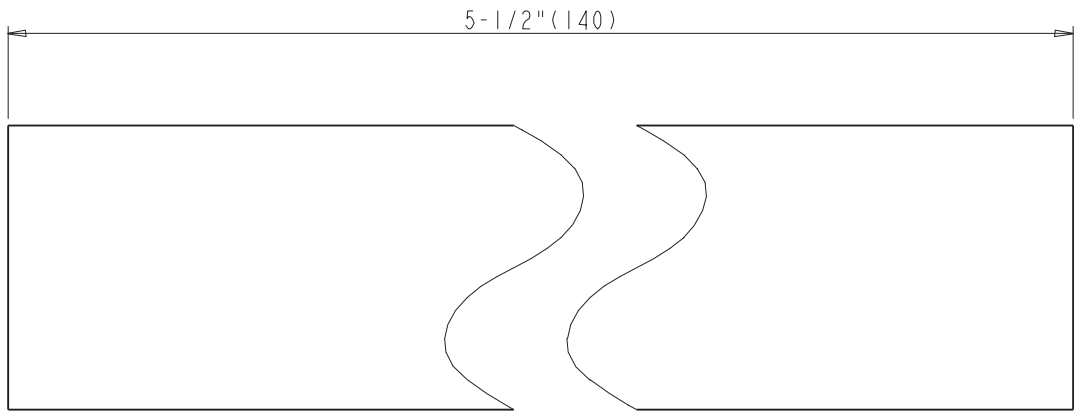
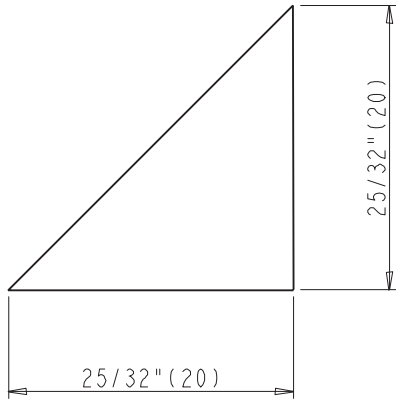



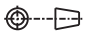
 PROPRIETARY AND CONFIDENTIAL THE INFORMATION CONTAINED IN THIS DRAWING IS THE SOLE PROPERTY OF HARDWARE RESOURCES INC. ANY REPRODUCTION IN PART OR AS A WHOLE WITHOUT THE WRITTEN PERMISSION OF HARDWARE RESOURCES INC. IS PROHIBITED.	ITEM: PEG-BOARD-6 IN-PULL-FRAME FINISH:		MATERIAL: WEIGHT: 0.000 g PROJECTION: 	
	TOLERANCE UNLESS OTHERWISE SPECIFIED: X ±0.20 X.X ±0.10 X.XX ±0.05 ANGULAR: ±0.5° DO NOT SCALE DRAWING	UNITS: SIZE: A4 SHEET: 1 OF 2	DRAWN BY: <i>Hugo.cai</i> APPROVED BY:	DATE: DATE: REVISION:

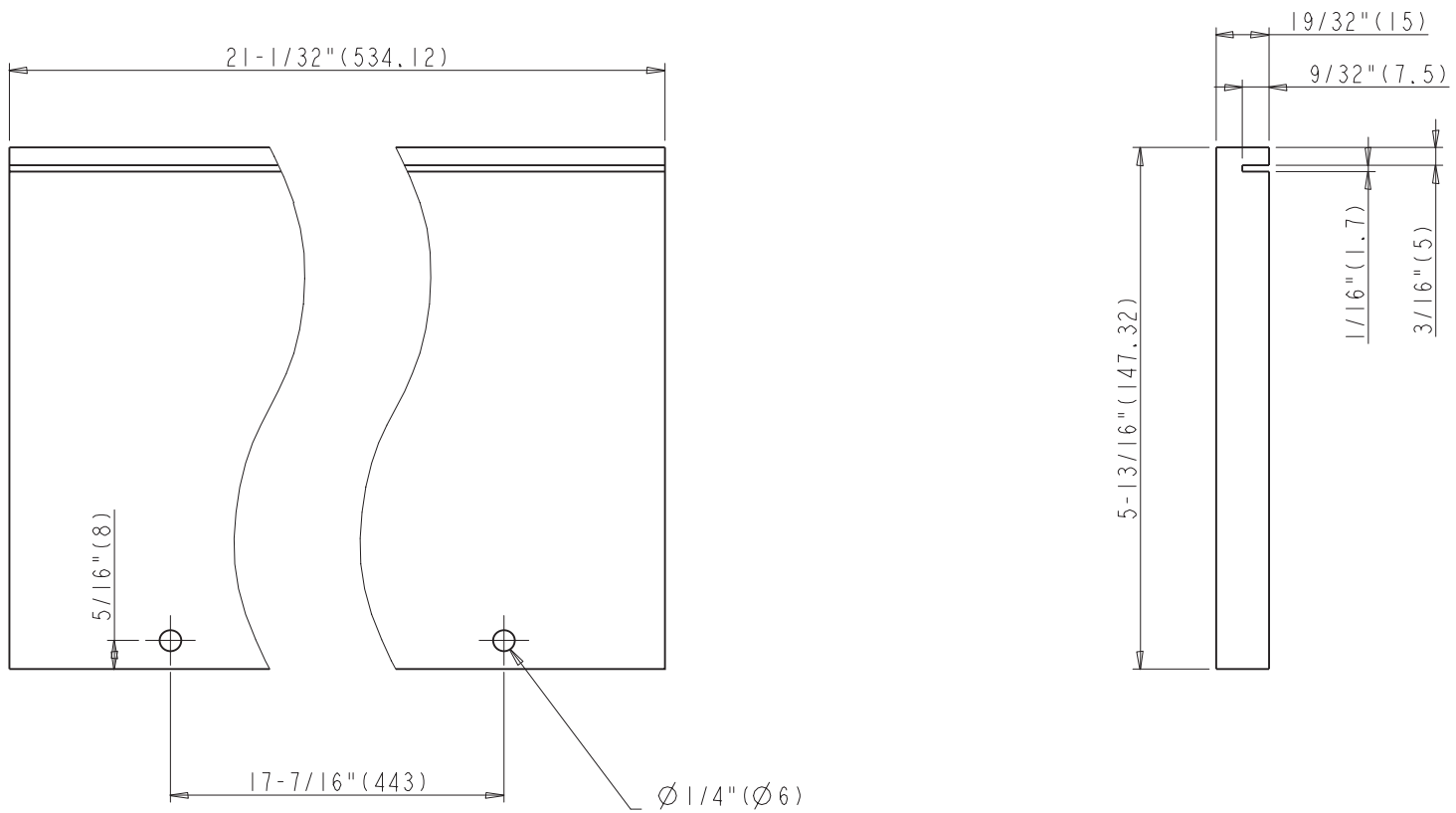


NO.	ITEM#	MATERIAL	QTY	UNIT WEIGHT	TOTL WEIGHT	TYPE	ASSY LEVEL
6	PEG-BOARD-3IN-STICK	STEEL	1			PART	1
5	PEG-BOARD-3IN-BLOCK		2			PART	1
4	PEG-BOARD-3IN-MOVABLE		1			ASSEMBLY	1
3	PEG-BOARD-3IN-FIXED-SHELF-BTM		1			ASSEMBLY	1
2	PEG-BOARD-3IN-FIXED-SHELF-TOP		1			ASSEMBLY	1
1	PEG-BOARD-3IN-FRONT-BOARD		2			ASSEMBLY	1

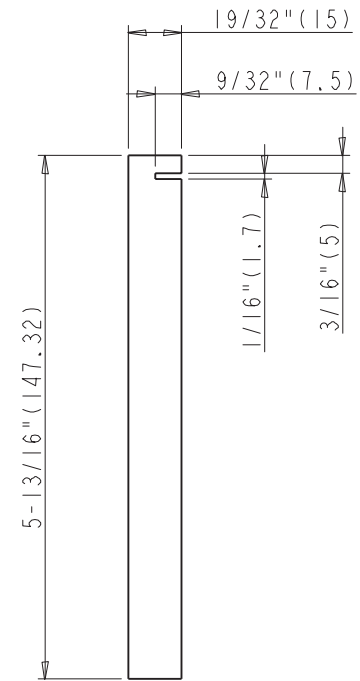
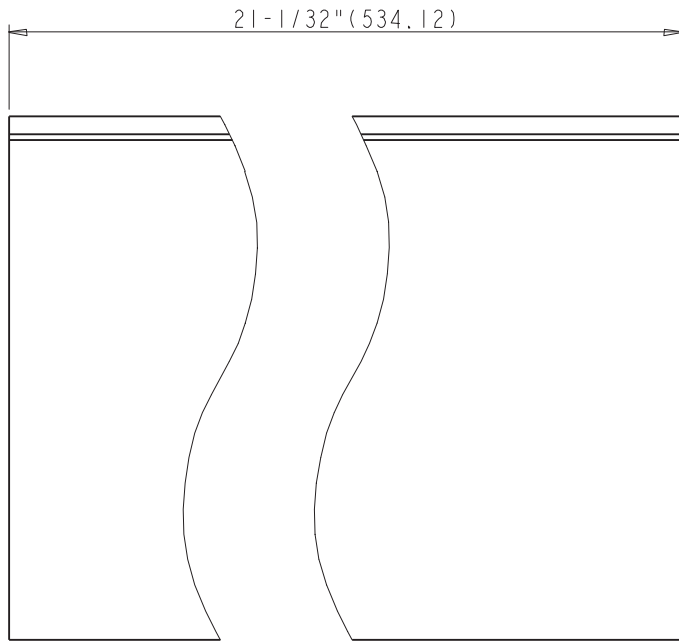
	ITEM#: PEG-BOARD-6IN-PULL-FRAME		MATERIAL:		
	FINISH:		WEIGHT: 0.000 g		
<p>PROPRIETARY AND CONFIDENTIAL</p> <p>THE INFORMATION CONTAINED IN THIS DRAWING IS THE SOLE PROPERTY OF HARDWARE RESOURCES INC. ANY REPRODUCTION IN PART OR AS A WHOLE WITHOUT THE WRITTEN PERMISSION OF HARDWARE RESOURCES INC. IS PROHIBITED.</p>	TOLERANCE UNLESS OTHERWISE SPECIFIED:		UNITS:		
	X ±0.20 X.X ±0.10 X.XX ±0.05 ANGULAR: ±0.5°		DRAWN BY: <i>Hugo.cai</i>		
	DO NOT SCALE DRAWING		APPROVED BY:		
			DATE:		
		SHEET:		RELEASE LEVEL:	
		REVISION:		DATE:	



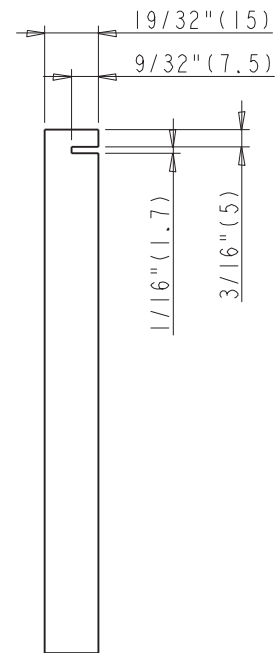
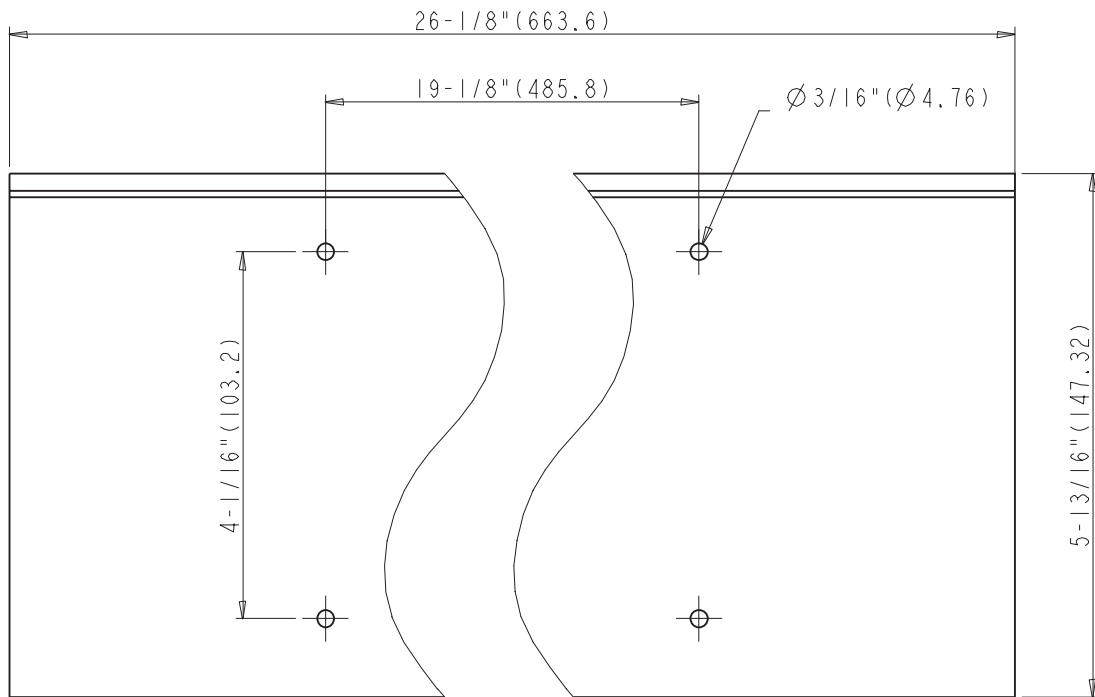
	ITEM#: PEG-BOARD-6 IN-BLOCK		MATERIAL: MAPLE	
	FINISH:		WEIGHT: 0.000 g	
PROPRIETARY AND CONFIDENTIAL THE INFORMATION CONTAINED IN THIS DRAWING IS THE SOLE PROPERTY OF HARDWARE RESOURCES INC. ANY REPRODUCTION IN PART OR AS A WHOLE WITHOUT THE WRITTEN PERMISSION OF HARDWARE RESOURCES INC. IS PROHIBITED.	TOLERANCE UNLESS OTHERWISE SPECIFIED: X ±0.20 X.X ±0.10 X.XX ±0.05 ANGULAR: ±0.5°		PROJECTION: 	
	UNITS:	DRWN BY: <i>Hugo.cai</i>	DATE:	
	SIZE: A4	APPROVED BY:	DATE:	
	SHEET: 1 OF 1	RELEASE LEVEL:	REVISION:	
DO NOT SCALE DRAWING				


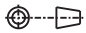


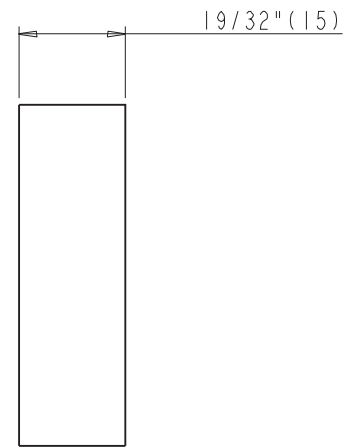
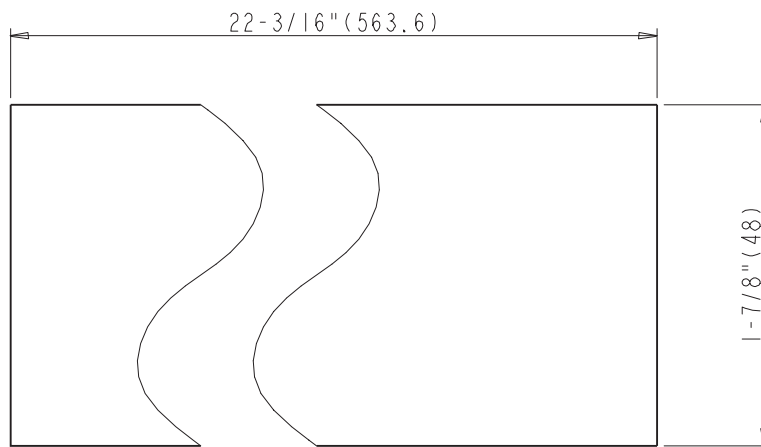
	ITEM#: PEG-BOARD-6IN-FIXED-SHELF-BTM		MATERIAL: Maple		
	FINISH:		WEIGHT: 0.000 g		
PROPRIETARY AND CONFIDENTIAL THE INFORMATION CONTAINED IN THIS DRAWING IS THE SOLE PROPERTY OF HARDWARE RESOURCES INC. ANY REPRODUCTION IN PART OR AS A WHOLE WITHOUT THE WRITTEN PERMISSION OF HARDWARE RESOURCES INC. IS PROHIBITED.	TOLERANCE UNLESS OTHERWISE SPECIFIED: X ±0.20 X.X ±0.10 X.XX ±0.05 ANGULAR: ±0.5° DO NOT SCALE DRAWING		UNITS: A4	DRAWN BY: <i>Hugo.cai</i>	DATE:
	SHEET: 1 OF 1		APPROVED BY:	RELEASE LEVEL:	REVISION:
	PROJECTION:		DATE:		REVISION:
	DATE:		DATE:		REVISION:


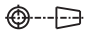


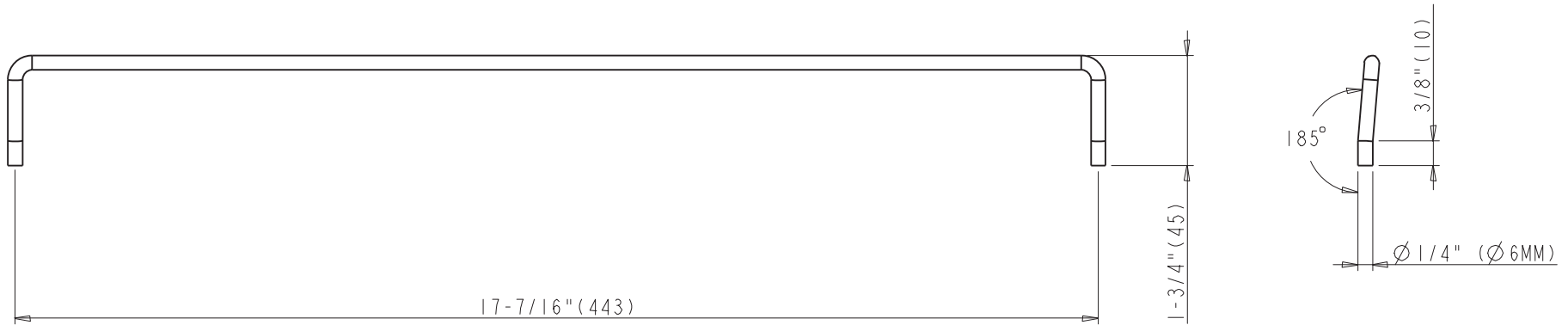
	ITEM#: PEG-BOARD-6IN-FIXED-SHELF-TOP		MATERIAL: Maple		
	FINISH:		WEIGHT: 0.000 g		
PROPRIETARY AND CONFIDENTIAL THE INFORMATION CONTAINED IN THIS DRAWING IS THE SOLE PROPERTY OF HARDWARE RESOURCES INC. ANY REPRODUCTION IN PART OR AS A WHOLE WITHOUT THE WRITTEN PERMISSION OF HARDWARE RESOURCES INC. IS PROHIBITED.	TOLERANCE UNLESS OTHERWISE SPECIFIED: X ±0.20 X.X ±0.10 X.XX ±0.05 ANGULAR: ±0.5° DO NOT SCALE DRAWING		UNITS: A4 SHEET: 1 OF 1	DRAWN BY: <i>Hugo.cai</i> APPROVED BY: RELEASE LEVEL:	PROJECTION:
			DATE:	DATE:	
			DATE:	REVISION:	
			DATE:	REVISION:	


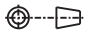


	ITEM#: PEG-BOARD-6 IN-FRONT-BOARD		MATERIAL: Maple		
	FINISH:		WEIGHT: 0.000 g		
PROPRIETARY AND CONFIDENTIAL THE INFORMATION CONTAINED IN THIS DRAWING IS THE SOLE PROPERTY OF HARDWARE RESOURCES INC. ANY REPRODUCTION IN PART OR AS A WHOLE WITHOUT THE WRITTEN PERMISSION OF HARDWARE RESOURCES INC. IS PROHIBITED.	TOLERANCE UNLESS OTHERWISE SPECIFIED: X ±0.20 X.X ±0.10 X.XX ±0.05 ANGULAR: ±0.5° DO NOT SCALE DRAWING		UNITS: A4	DRAWN BY: <i>Hugo.cai</i>	DATE:
	SHEET: 1 OF 1		APPROVED BY:	RELEASE LEVEL:	REVISION:
	PROJECTION:				



	ITEM#: PEG-BOARD-6IN-MOVABLE		MATERIAL: PLY WOOD		
	FINISH:		WEIGHT: 0.000 g		
PROPRIETARY AND CONFIDENTIAL THE INFORMATION CONTAINED IN THIS DRAWING IS THE SOLE PROPERTY OF HARDWARE RESOURCES INC. ANY REPRODUCTION IN PART OR AS A WHOLE WITHOUT THE WRITTEN PERMISSION OF HARDWARE RESOURCES INC. IS PROHIBITED.	TOLERANCE UNLESS OTHERWISE SPECIFIED: X ±0.20 X.X ±0.10 X.XX ±0.05 ANGULAR: ±0.5° DO NOT SCALE DRAWING		UNITS: SIZE: A4 SHEET: 1 OF 1	DRAWN BY: <i>Hugo.cai</i> APPROVED BY: RELEASE LEVEL:	PROJECTION:  DATE: DATE: REVISION:



 PROPRIETARY AND CONFIDENTIAL THE INFORMATION CONTAINED IN THIS DRAWING IS THE SOLE PROPERTY OF HARDWARE RESOURCES INC. ANY REPRODUCTION IN PART OR AS A WHOLE WITHOUT THE WRITTEN PERMISSION OF HARDWARE RESOURCES INC. IS PROHIBITED.	ITEM:	PEG-BOARD-3IN-STICK		MATERIAL:	STEEL
	FINISH:			WEIGHT:	115 g
				PROJECTION:	
	TOLERANCE UNLESS OTHERWISE SPECIFIED:	UNITS:	DRAWN BY:	DATE:	
	X ±0.20		<i>Hugo. cai</i>		
	X.X ±0.10	SIZE:	APPROVED BY:	DATE:	
	X.XX ±0.05	A4			
	ANGULAR: ±0.5°	SHEET:	RELEASE LEVEL:	REVISION:	
	DO NOT SCALE DRAWING				