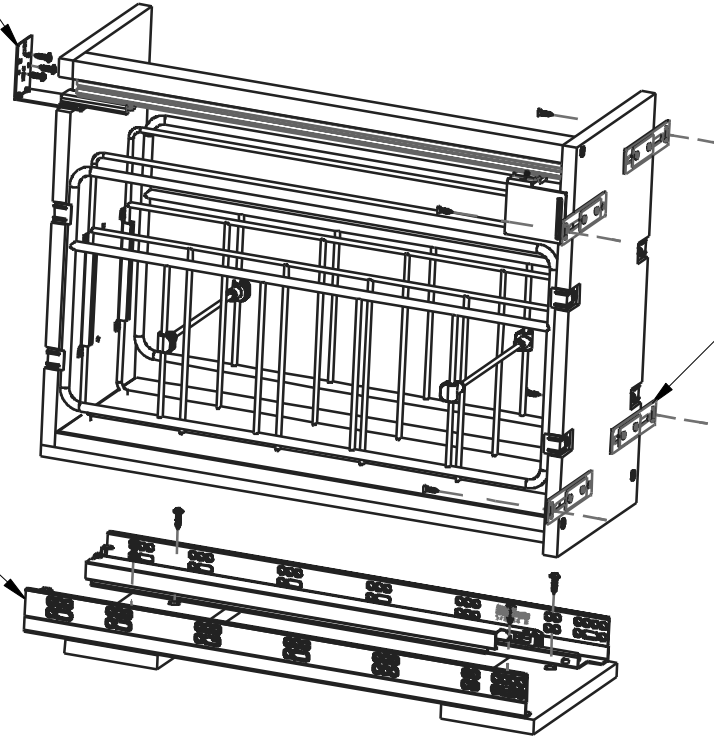


"NO WIGGLE" TOP
SUPPORT MECHANISM
US PATENTED

6 WAY DOOR MOUNTING
ADJUSTABLE SYSTEM
US PATENTED

USE 58-300 SERIES
RUNNER MECHANISM



THIRD ANGLE PROJECTION



**hardware
resources**

MATERIAL

N/A

FINISH

UV COATING

DESCRIPTION

NO WIGGLE TRAY DIVIDER PULLOUT

DOCUMENT STATUS

Released

DRAWN BY

JOEL GOMEZ

DATE

13NOV2019

DESIGNED BY

JOEL GOMEZ

DATE

14AUG2019

APPROVED BY

ALAN CHEN

DATE

19NOV2019

DRAWING NUMBER

BPOTD2_CSD

REV

A

SIZE

A3

SCALE

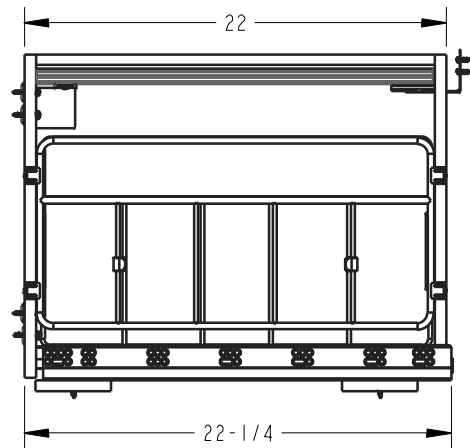
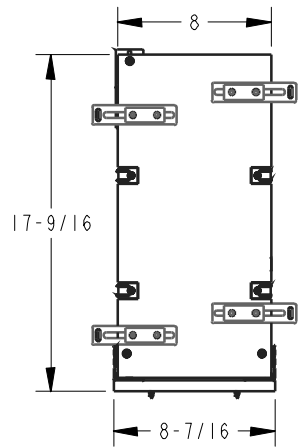
0.200

SHEET

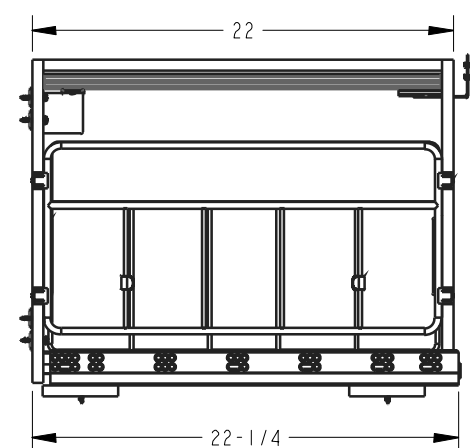
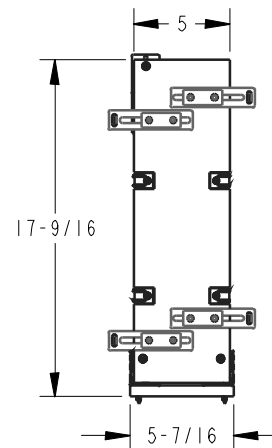
1 / 2

HARDWARE RESOURCES RESERVES THE RIGHT TO CHANGE SPECIFICATIONS WITHOUT NOTICE.
IN CASE OF A DISCREPANCY, ACTUAL PART GEOMETRY SUPERSEDES THIS DOCUMENT.

THE INFORMATION CONTAINED WITHIN THIS DRAWING IS THE SOLE PROPERTY OF HARDWARE RESOURCES INC. ANY
REPRODUCTION IN PART OR WHOLE WITHOUT WRITTEN PERMISSION OF HARDWARE RESOURCES INC. IS PROHIBITED.



BPOTD2-8SC



BPOTD2-5SC

DRAWING NUMBER		REV
BPOTD2_CSD		A
SIZE	SCALE	SHEET
A3	0.150	2 / 2
DOCUMENT STATUS		Released