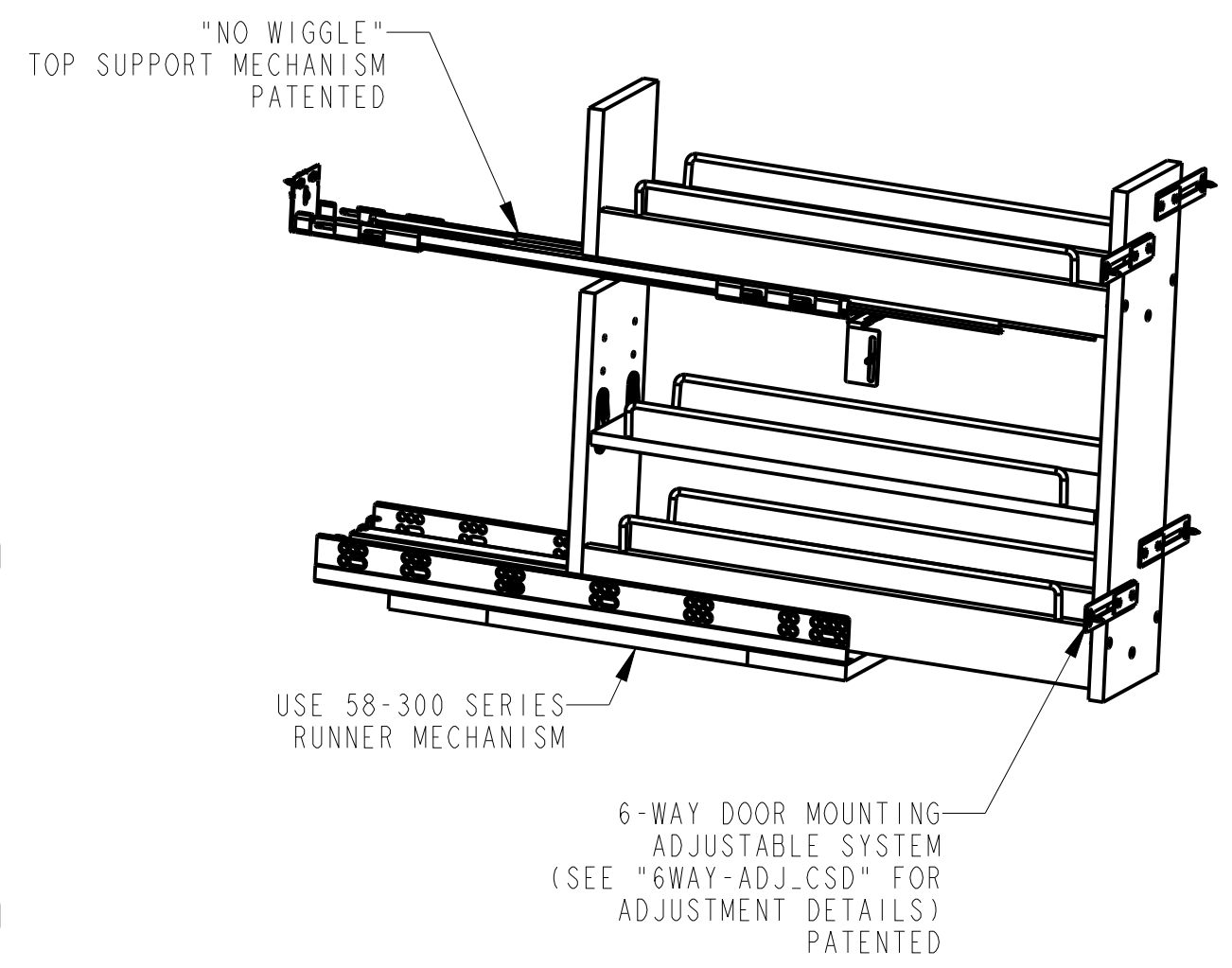
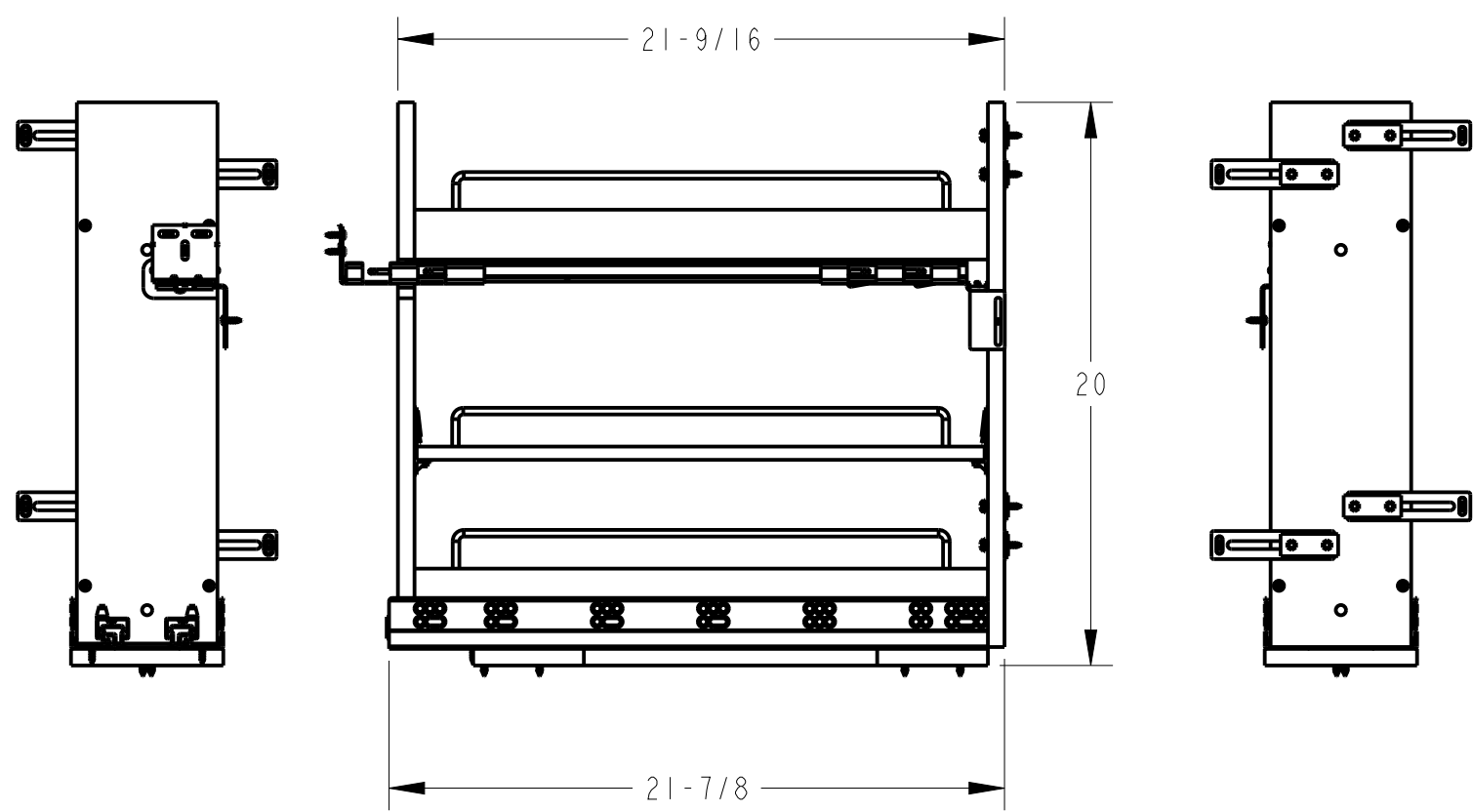


8 7 6 5 4 3 2

F E D C B A



FINISHED GOODS TABLE / 完成品表		
ENGINEERING NUMBER 工程料号	HR ITEM NUMBER 海威产品编号	PRODUCT DESCRIPTION / 产品描述
00-01700194-05	DBPO2-5SC	DRAWER BASE PULLOUT ORGANIZER SYSTEM, DBPO, WIDTH 5
00-01700194-08	DBPO2-8SC	DRAWER BASE PULLOUT ORGANIZER SYSTEM, DBPO, WIDTH 8

THIRD ANGLE PROJECTION 		hardware resources		
MATERIAL BIRCH PLYWOOD	FINISH CLEAR UV			
DRAWN BY A. BROWN	DATE 15SEP17	DRAWING NUMBER DBPO_CSD	REV B	
DESIGNED BY J. LAI	DATE 06SEPT17	SIZE A3	SCALE 0.150	SHEET 1 / 3
APPROVED BY R. LAIRD	DATE 19SEP17			

DOCUMENT STATUS Released

HARDWARE RESOURCES RESERVES THE RIGHT TO CHANGE SPECIFICATIONS WITHOUT NOTICE.
IN CASE OF A DISCREPANCY, ACTUAL PART GEOMETRY SUPERSEDES THIS DOCUMENT.

THE INFORMATION CONTAINED WITHIN THIS DRAWING IS THE SOLE PROPERTY OF HARDWARE RESOURCES INC. ANY REPRODUCTION IN PART OR WHOLE WITHOUT WRITTEN PERMISSION OF HARDWARE RESOURCES INC. IS PROHIBITED.

A B C D E F

8 7 6 5 4 3 2 1