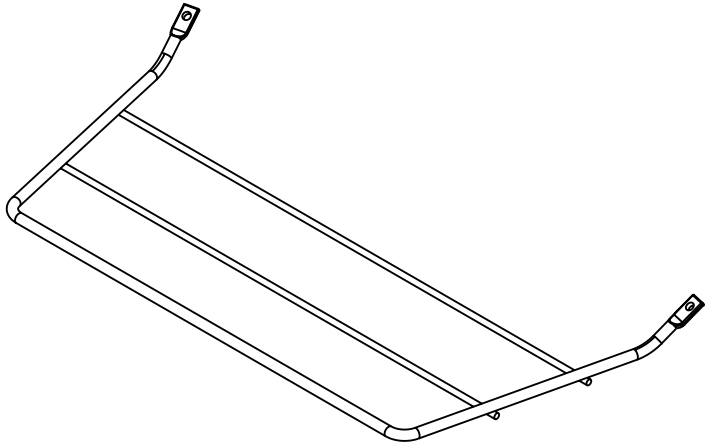
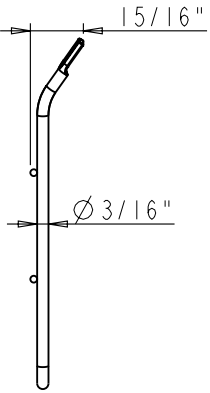
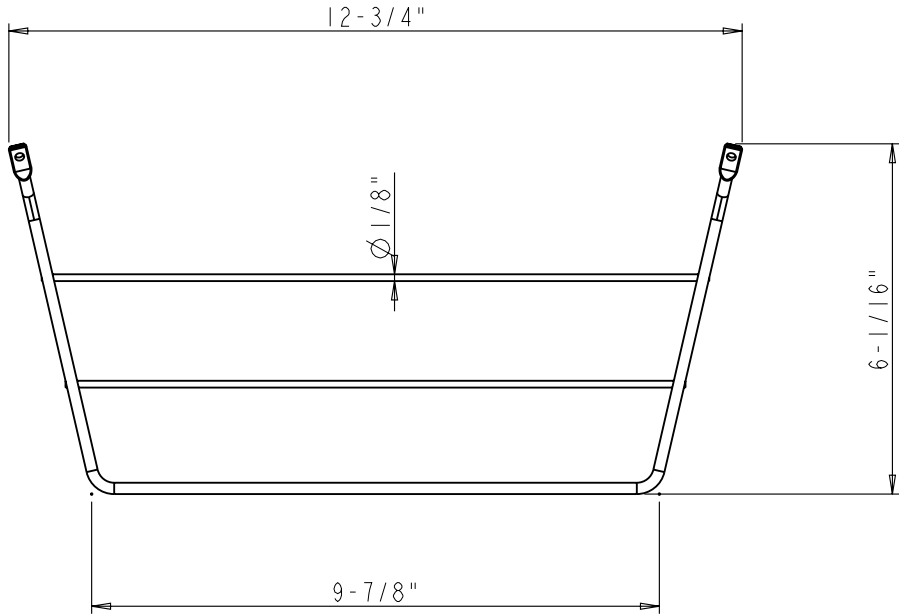


<p>PROPRIETARY AND CONFIDENTIAL</p> <p>THE INFORMATION CONTAINED IN THIS DRAWING IS THE SOLE PROPERTY OF HARDWARE RESOURCES INC. ANY REPRODUCTION IN PART OR AS A WHOLE WITHOUT THE WRITTEN PERMISSION OF HARDWARE RESOURCES INC. IS PROHIBITED.</p> <p>DO NOT SCALE DRAWING</p>	ITEM#: DTH-CH-R	MATERIAL:
	FINISH:	WEIGHT: 9
	TOLERANCE UNLESS OTHERWISE SPECIFIED: X ±0.20 X.X ±0.10 X.XX ±0.05 ANGULAR: ±0.5°	PROJECTION
	UNITS: MM	DRAWN BY:
SIZE: A4	APPROVED BY:	DATE:
SHEET: 1 OF 1	RELEASE LEVEL:	REVISION:



<p>PROPRIETARY AND CONFIDENTIAL</p> <p>THE INFORMATION CONTAINED IN THIS DRAWING IS THE SOLE PROPERTY OF HARDWARE RESOURCES INC. ANY REPRODUCTION IN PART OR AS A WHOLE WITHOUT THE WRITTEN PERMISSION OF HARDWARE RESOURCES INC. IS PROHIBITED.</p>	ITEM#: DTH-CH-R	MATERIAL:
	FINISH:	WEIGHT: 9
	TOLERANCE UNLESS OTHERWISE SPECIFIED: X ±0.20 X.X ±0.10 X.XX ±0.05 ANGULAR: ±0.5°	PROJECTION
	DO NOT SCALE DRAWING	
UNITS: INCH	DRAWN BY:	DATE:
SIZE: A4	APPROVED BY:	DATE:
SHEET: 1 OF 1	RELEASE LEVEL:	REVISION: