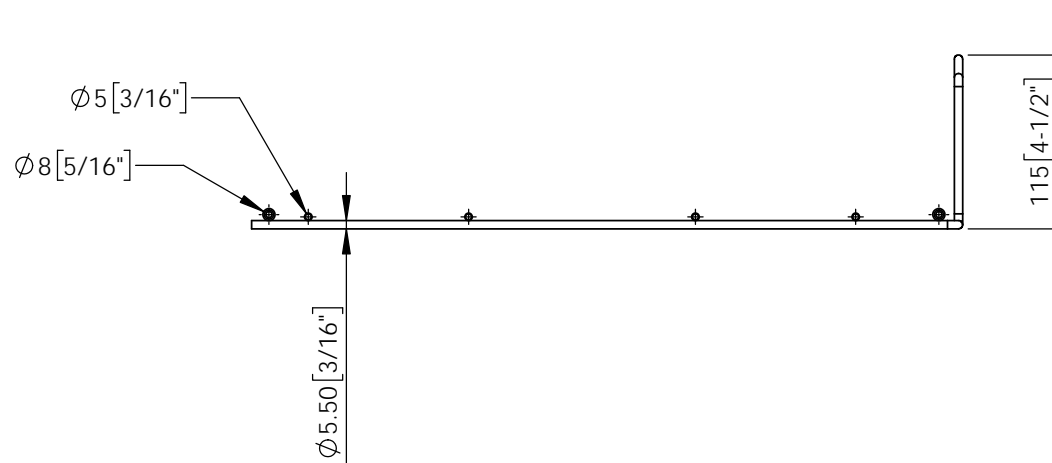
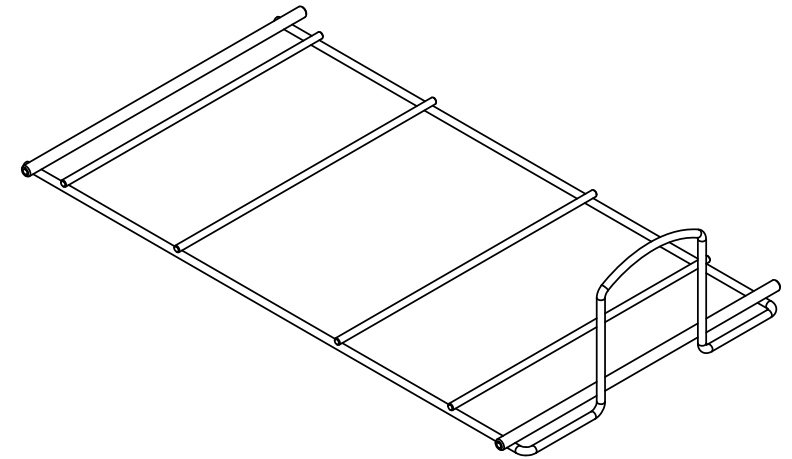
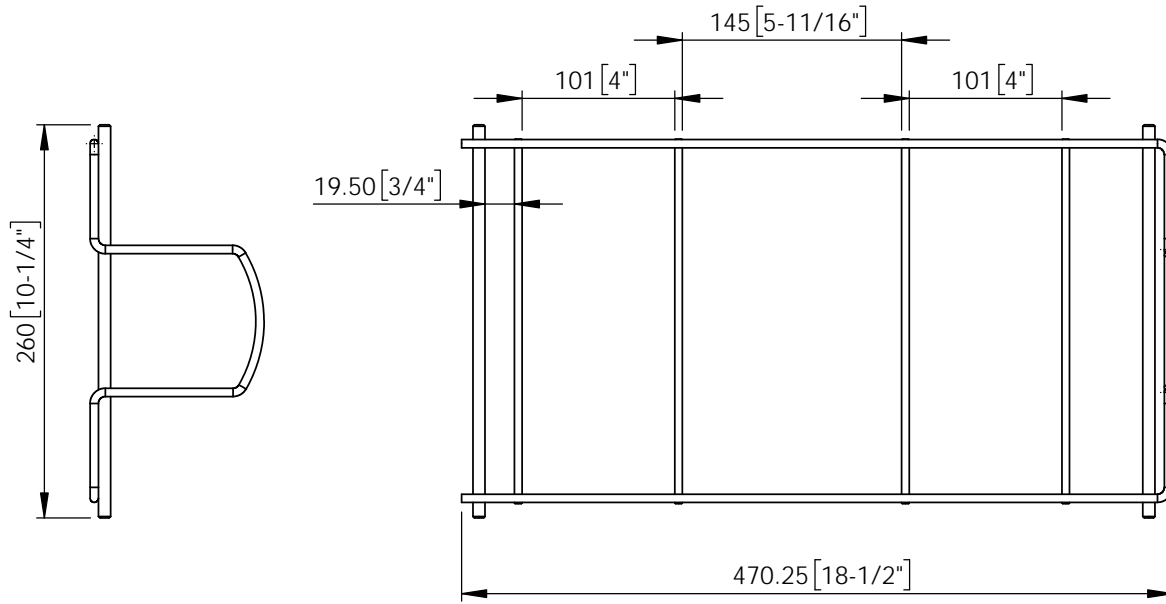
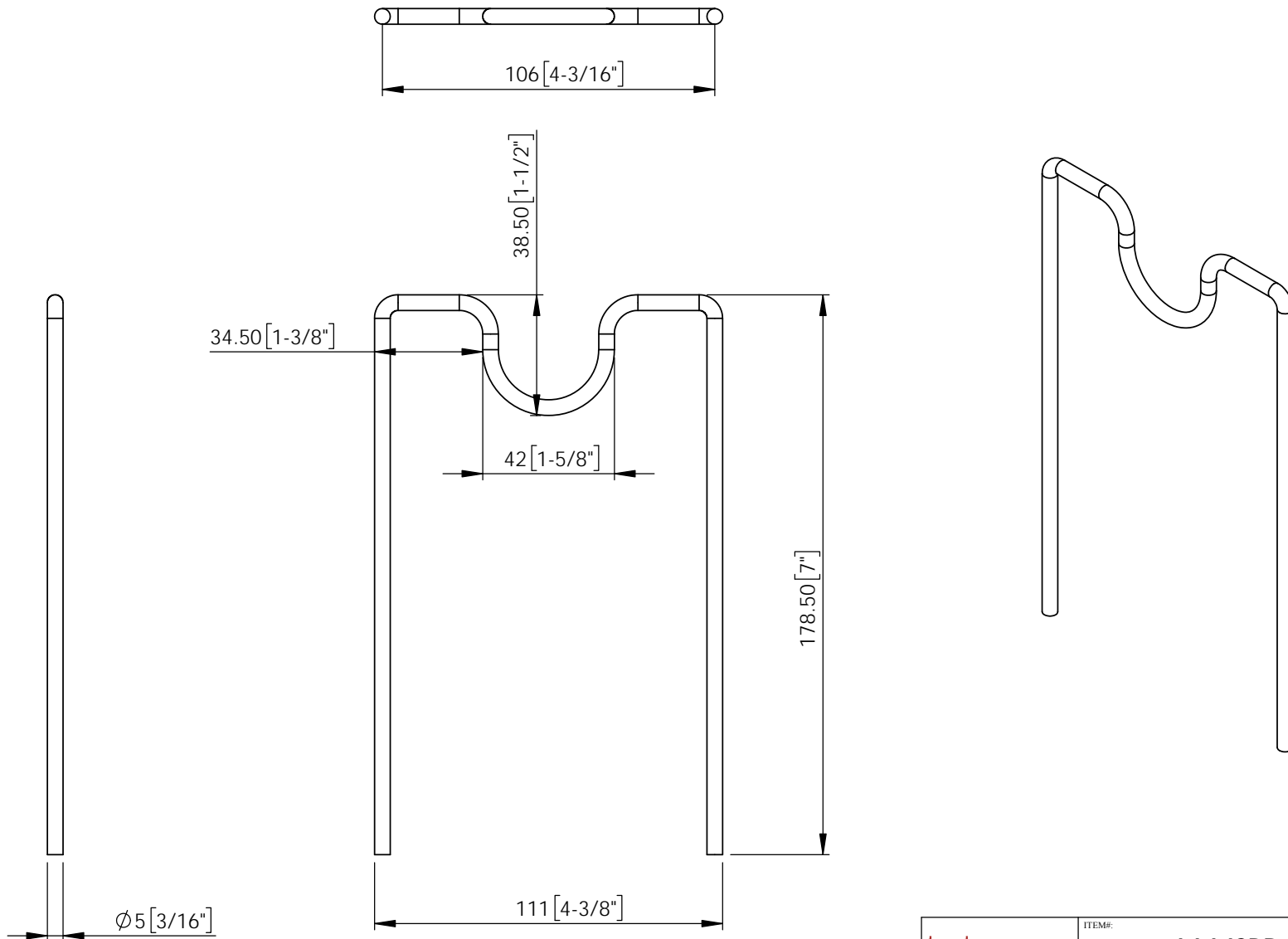


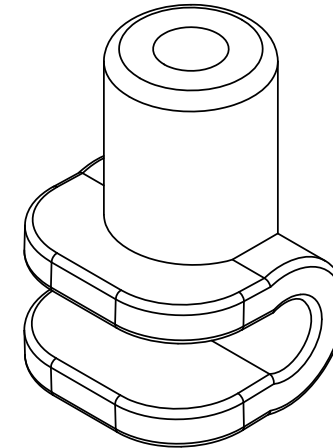
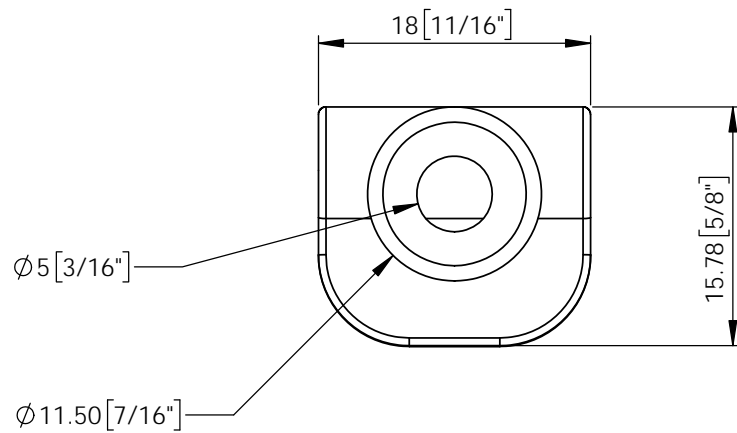
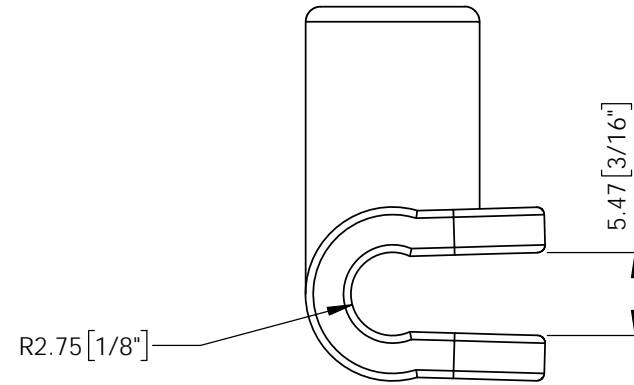
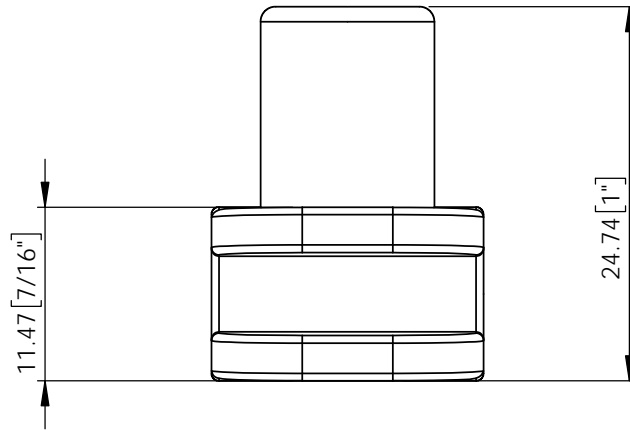
<p><b>hardware resources</b></p> <p>PROPRIETARY AND CONFIDENTIAL</p> <p>THE INFORMATION CONTAINED IN THIS DRAWING IS THE SOLE PROPERTY OF HARDWARE RESOURCES INC. ANY REPRODUCTION IN PART OR AS A WHOLE WITHOUT THE WRITTEN PERMISSION OF HARDWARE RESOURCES INC. IS PROHIBITED.</p>	ITEM#:	mppo215-r		MATERIAL:
	FINISH:			WEIGHT:
	TOLERANCE UNLESS OTHERWISE SPECIFIED:	UNITS:	DRAWING BY:	DATE:
	x ±0.20 xx ±0.10 xxx ±0.05 ANGULAR: ±0.5°	SIZE:	FINISH:	DATE:
DO NOT SCALE DRAWING	SHEET:	FINISH:	REVISION:	



<p>PROPRIETARY AND CONFIDENTIAL</p> <p>THE INFORMATION CONTAINED IN THIS DRAWING IS THE SOLE PROPERTY OF HARDWARE RESOURCES INC. ANY REPRODUCTION IN PART OR AS A WHOLE WITHOUT THE WRITTEN PERMISSION OF HARDWARE RESOURCES INC. IS PROHIBITED.</p>	ITEM#: frame	MATERIAL:		
	FINISH:	WEIGHT:		
	TOLERANCE UNLESS OTHERWISE SPECIFIED: x ±0.20 xx ±0.10 xxx ±0.05 ANGULAR: ±0.5°	UNITS:	DRAWING BY: <i>Alexander.w</i>	DATE: 03/10/16
	DO NOT SCALE DRAWING	SIZE:	FINISH:	DATE:
	SHEET:	FINISH:	REVISION:	



<b>hardware resources</b> <small>PROPRIETARY AND CONFIDENTIAL</small> <small>THE INFORMATION CONTAINED IN THIS DRAWING IS THE SOLE PROPERTY OF HARDWARE RESOURCES INC. ANY REPRODUCTION IN PART OR AS A WHOLE WITHOUT THE WRITTEN PERMISSION OF HARDWARE RESOURCES INC. IS PROHIBITED.</small>	ITEM#:	M-MSBR_3		MATERIAL:
	FINISH:			WEIGHT:
	TOLERANCE UNLESS OTHERWISE SPECIFIED:	UNITS:	DRAWING BY:	DATE:
	x $\pm 0.20$ xx $\pm 0.10$ xxx $\pm 0.05$ ANGULAR: $\pm 0.5^\circ$	SIZE:	FINISH:	DATE:
DO NOT SCALE DRAWING	SHEET:	FINISH:	REVISION:	



<p>PROPRIETARY AND CONFIDENTIAL          THE INFORMATION CONTAINED          IN THIS DRAWING IS THE SOLE          PROPERTY OF HARDWARE          RESOURCES INC.          ANY REPRODUCTION IN PART          OR AS A WHOLE WITHOUT THE          WRITTEN PERMISSION OF          HARDWARE RESOURCES INC.          IS PROHIBITED.</p>	ITEM#:	MSBR-9_1		MATERIAL:
	FINISH:			WEIGHT:
	TOLERANCE UNLESS OTHERWISE SPECIFIED:	UNITS:	DRAWING BY:	DATE:
	x ±0.20 xx ±0.10 xxx ±0.05 ANGULAR: ±0.5°	SIZE:	FINISH:	DATE:
DO NOT SCALE DRAWING	SHEET:	FINISH:	REVISION:	