



### IMPORTANT:

Before you begin, familiarize yourself with all of the parts and fully read the instructions.

### CUSTOMER SERVICE:

Toll-free customer help line available weekdays between 7:00 am and 6:00 pm Central Time at 800-463-0660.

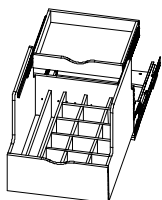
### PARTS:

Pre-Assembled Organizer and Base Unit  
 8 #6 X1 Coarse-Thread Wood Screws

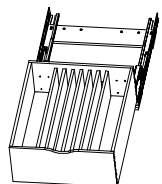
### TOOLS NEEDED:

Screw Gun\* or Phillips Screwdriver  
 Measuring Tape or Ruler

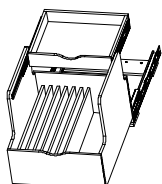
\*NOTE: If screw gun has a clutch, set to lowest setting so as not to over tighten and/or strip screws.



**ROBTD**  
 Double-Drawer  
 Bottle Rollout



**ROCWS**  
 Single-Drawer  
 Cookware Rollout



**ROCWD**  
 Double-Drawer  
 Cookware Rollout

### 1. Separate the Organizer from the Base



*NOTE: Before installing the rollout, you may want to remove the cabinet door if additional clearance is needed.*

Press the clips under the organizer to release the pre-installed slides, separating the organizer unit from the base. Lift the unit upward and outward.

### 2. Position the Base in the Cabinet

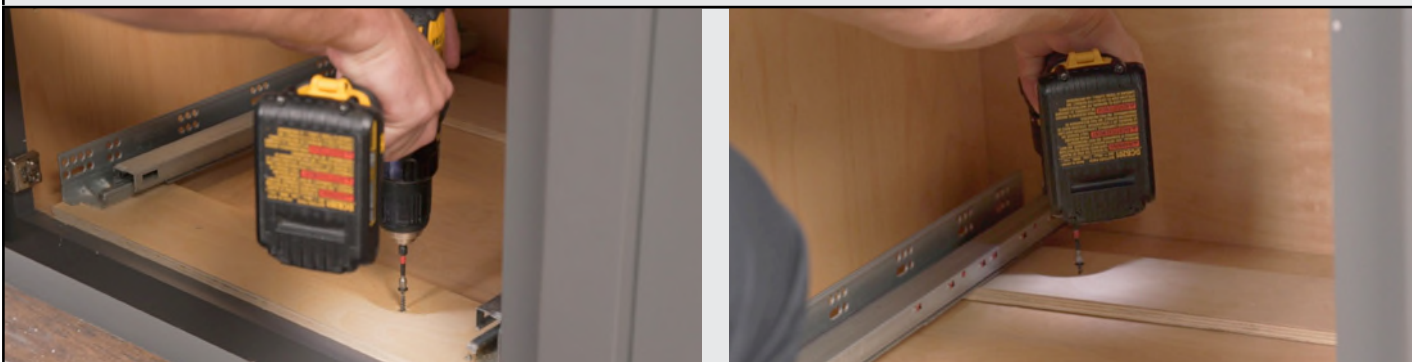


Place the base inside the cabinet. Center it left to right, ensuring proper clearance for hinge or door protrusion.

- a. **Face Frame Applications:** Pull the plywood runner to the front of the cabinet until it is tight against the back of the face frame.\*
- b. **Frameless or Inset Applications:** Position the wooden runner with a 3/4" setback from the front of the cabinet.

\* For narrow door applications, unit may have to be placed inside and positioned with slides directly behind face frame.

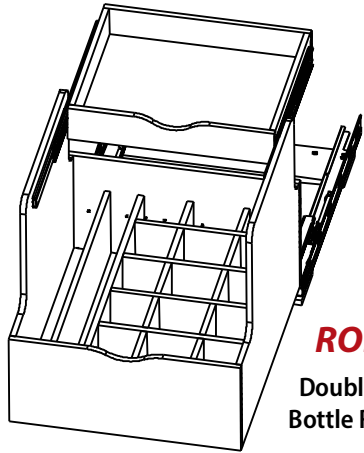
### 3. Secure the Base to the Cabinet



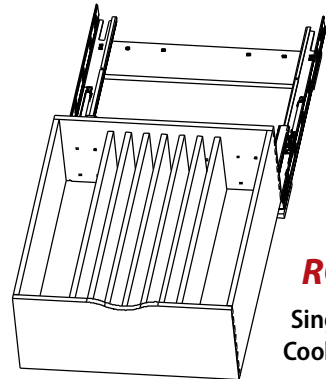
Secure the base unit by screwing through the 8 pre-drilled holes in the plywood runners with coarse-thread wood screws. #6 X 1" screws provided.

## Base Cabinet Rollout Installation Instructions (All Unit Sizes)

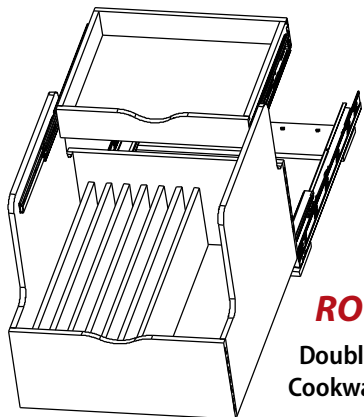
Double-Drawer Bottle Rollout, Single and Double-Drawer Cookware Rollout



**ROBTD**  
Double-Drawer  
Bottle Rollout



**ROCWS**  
Single-Drawer  
Cookware Rollout



**ROCWD**  
Double-Drawer  
Cookware Rollout

### 4. Place the Organizer onto the Secured Base

Place the organizer onto the undermount slides. Push the unit into the cabinet until you hear the clips lock into place. Cycle the unit in and out of the cabinet to ensure proper operation and clearances.

*NOTE: If you removed the cabinet door, reinstall it at this time.*



### 5. Adjust the Position of Bottle Grid or Dividers

**Bottle Grid:** The Bottle Grid can be rotated 180 degrees within the rollout to position the differently sized cubby holes in the most convenient locations.

The Bottle Grid can be moved to the left or right side of the bottom drawer in the 21" and 27" rollouts. Place a divider against the inside edge of the grid to secure it.

*NOTE: A separate Bottle Grid (Item # ROACBTGRID15) is available to add organization for 15 bottles to any Cookware Rollout.*

**Dividers:** Each of the dividers can be repositioned within the bottom drawer using the pin-and-groove system. To remove a divider, lift it straight upward.

Pins can be placed in any of the pre-drilled holes. When all 4 pins have been moved, slide the divider downward onto the pins.

