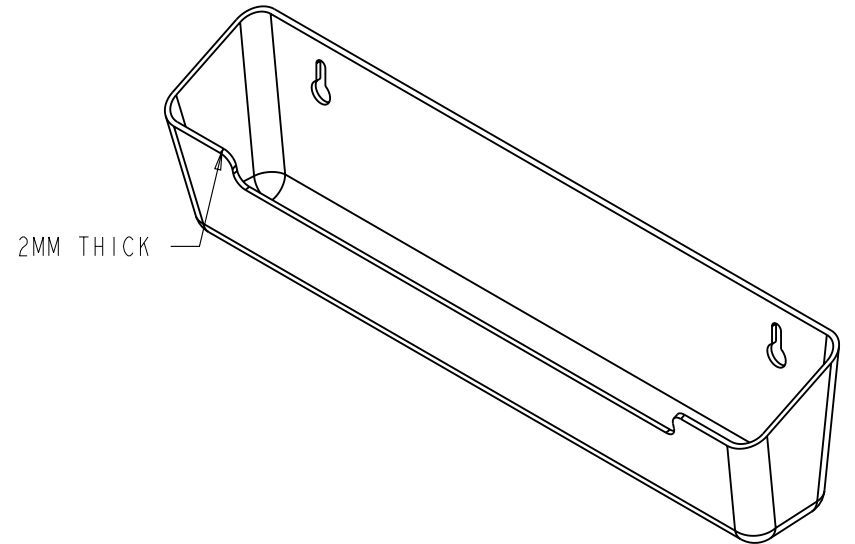
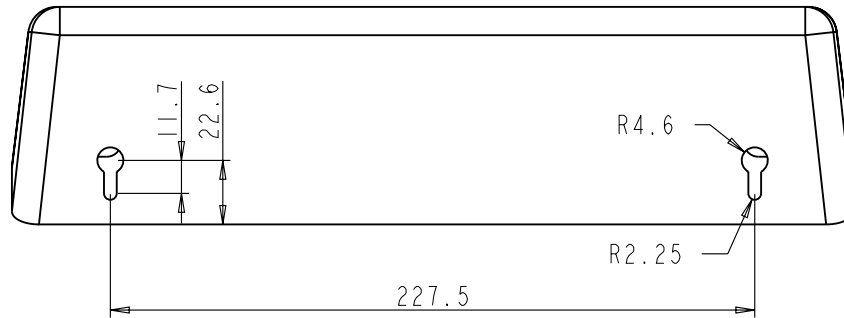
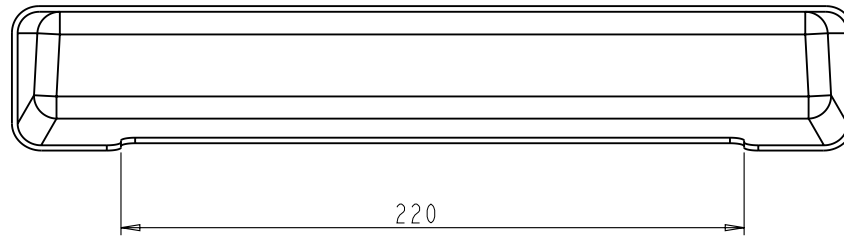


SECTION A-A



<p>PROPRIETARY AND CONFIDENTIAL</p> <p>THE INFORMATION CONTAINED IN THIS DRAWING IS THE SOLE PROPERTY OF HARDWARE RESOURCES INC. ANY REPRODUCTION IN PART OR AS A WHOLE WITHOUT THE WRITTEN PERMISSION OF HARDWARE RESOURCES INC. IS PROHIBITED.</p> <p>DO NOT SCALE DRAWING</p>	ITEM:	TIPOUT-11S		MATERIAL:	ABS	
	FINISH:			WEIGHT:	100.00 g	
	TOLERANCE UNLESS OTHERWISE SPECIFIED:			UNITS:	MM	DRAWN BY:
	X ±0.20 X.X ±0.10 X.XX ±0.05 ANGULAR: ±0.5°			SIZE:	A4	APPROVED BY:
SHEET:		RELEASE LEVEL:	DATE:	REVISION:		