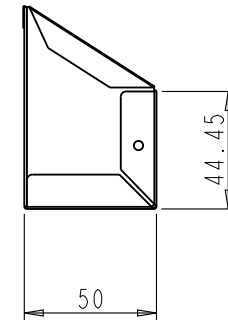


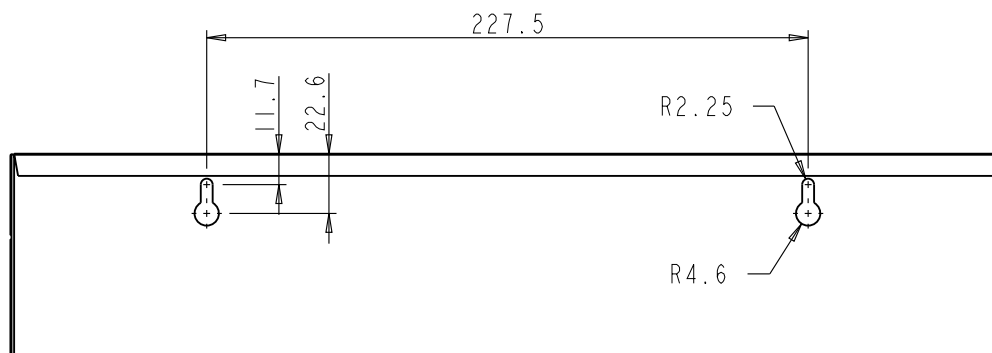
hardware resources	ITEM: TIPOUT-SS		MATERIAL:		
	FINISH:		WEIGHT: 9		
PROPRIETARY AND CONFIDENTIAL THE INFORMATION CONTAINED IN THIS DRAWING IS THE SOLE PROPERTY OF HARDWARE RESOURCES INC. ANY REPRODUCTION IN PART OR AS A WHOLE WITHOUT THE WRITTEN PERMISSION OF HARDWARE RESOURCES INC. IS PROHIBITED.	TOLERANCE UNLESS OTHERWISE SPECIFIED:		UNIT:	DRAWN BY: <i>alan.liu</i>	DATE:
	X : MM ±0.20		SIZE:	CHECKED BY:	DATE:
	X.X : MM ±0.10				
	X.XX : MM ±0.05		APPROVED BY:		DATE:
ANGULAR: ±0.5°		DO NOT SCALE DRAWING			



FRONT VIEW



SIDE VIEW



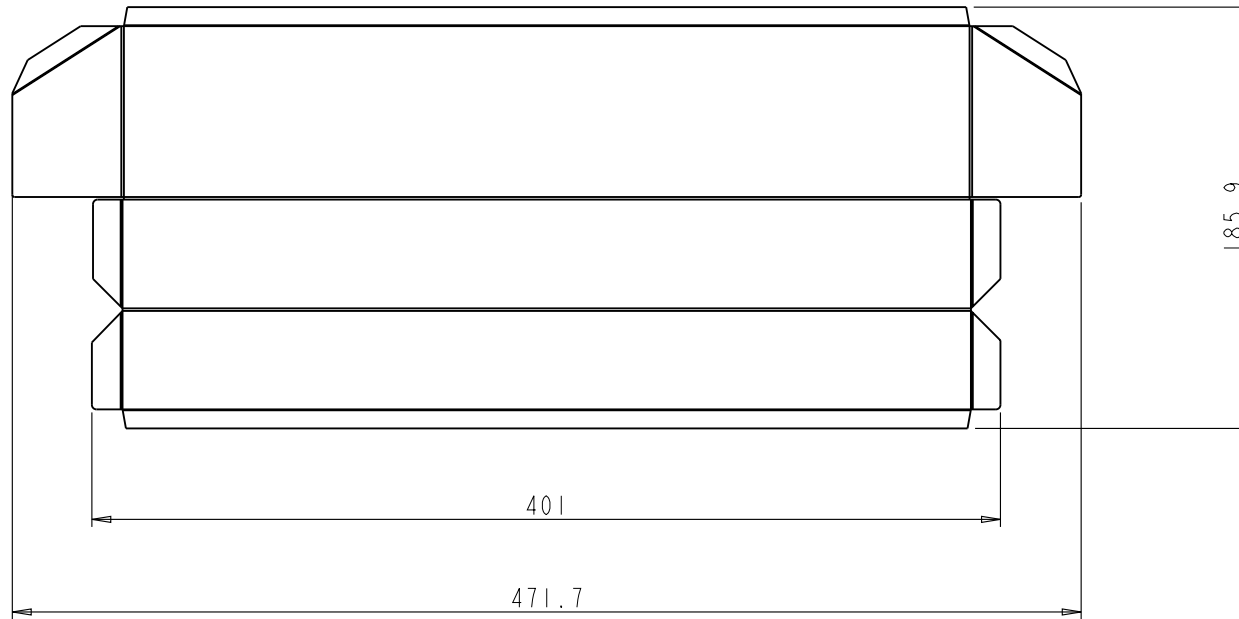
REAR VIEW

Note:

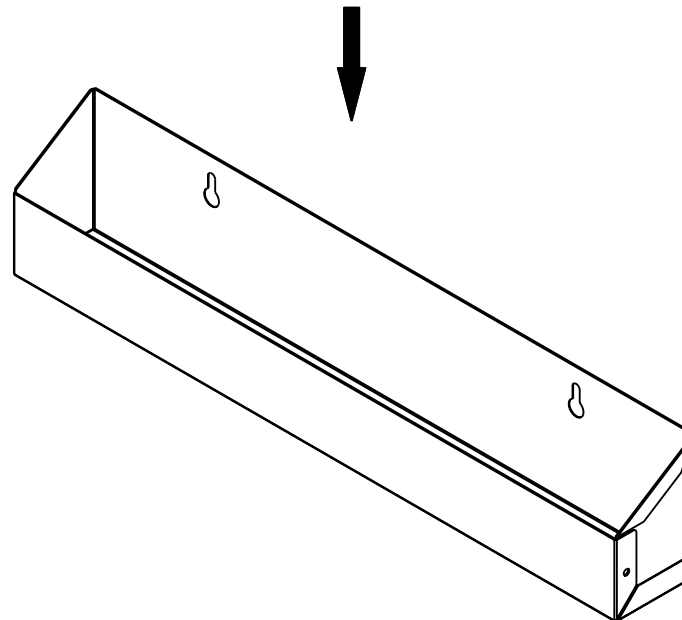
The thickness of sheetmetal is 0.4MM

	ITEM: TIPOUTSS-14		MATERIAL: STAINLESS STEEL		
	FINISH:		WEIGHT: 244.5 g		
PROPRIETARY AND CONFIDENTIAL THE INFORMATION CONTAINED IN THIS DRAWING IS THE SOLE PROPERTY OF HARDWARE RESOURCES INC. ANY REPRODUCTION IN PART OR AS A WHOLE WITHOUT THE WRITTEN PERMISSION OF HARDWARE RESOURCES INC. IS PROHIBITED.	TOLERANCE UNLESS OTHERWISE SPECIFIED: X : MM ±0.20 X.X : MM ±0.10 X.XX : MM ±0.05 ANGULAR: ±0.5° DO NOT SCALE DRAWING		UNIT: SIZE:	DRAWN BY: <i>alan.liu</i>	DATE:
			CHECKED BY:	DATE:	
			APPROVED BY:	DATE:	

FLATTEN STATUS



BEND STATUS



Note:

The thickness of sheetmetal is 0.4MM

	ITEM#: TIPOUTSS-14		MATERIAL: STAINLESS STEEL	
	FINISH:		WEIGHT: 244.5 g	
<p>PROPRIETARY AND CONFIDENTIAL</p> <p>THE INFORMATION CONTAINED IN THIS DRAWING IS THE SOLE PROPERTY OF HARDWARE RESOURCES INC. ANY REPRODUCTION IN PART OR AS A WHOLE WITHOUT THE WRITTEN PERMISSION OF HARDWARE RESOURCES INC. IS PROHIBITED</p>	TOLERANCE UNLESS OTHERWISE SPECIFIED:		PROJECTION:	
	X: MM ±0.20	UNIT:	DRAWN BY: <i>alan.liu</i>	
	X.X: MM ±0.10	SIZE:	CHECKED BY:	
	X.XX: MM ±0.05	APPROVED BY:		DATE:
ANGULAR: ±0.5°	DO NOT SCALE DRAWING		DATE:	