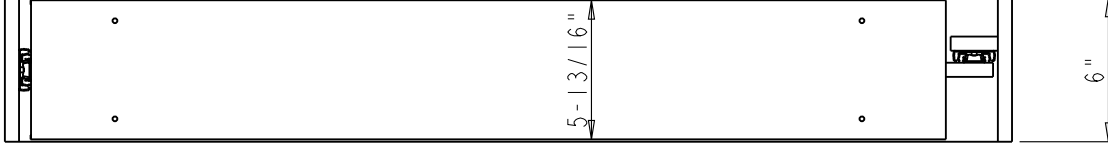
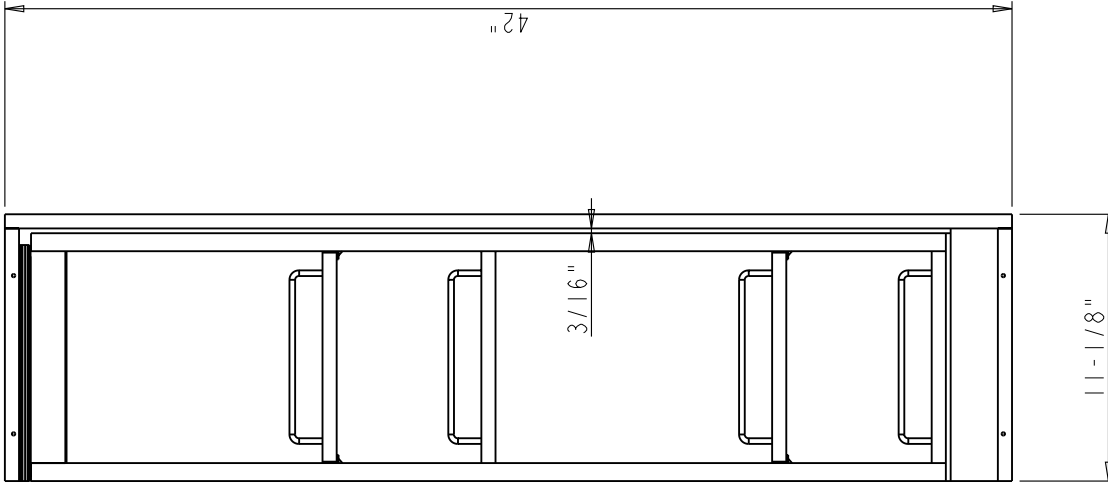


hardware resources	ITEM:	WFPO642		MATERIAL:
	FINISH:			WEIGHT: 9
PROPRIETARY AND CONFIDENTIAL THE INFORMATION CONTAINED IN THIS DRAWING IS THE SOLE PROPERTY OF HARDWARE RESOURCES INC. ANY REPRODUCTION IN PART OR AS A WHOLE WITHOUT THE WRITTEN PERMISSION OF HARDWARE RESOURCES INC. IS PROHIBITED.	TOLERANCE UNLESS OTHERWISE SPECIFIED:	UNIT:	DRAWN BY:	DATE:
	X : MM ±0.20	SIZE:	<i>alan.liu</i>	DATE:
	X.X : MM ±0.10		CHECKED BY:	DATE:
	X.XX : MM ±0.05		APPROVED BY:	DATE:
	ANGULAR: ±0.5°			
	DO NOT SCALE DRAWING			

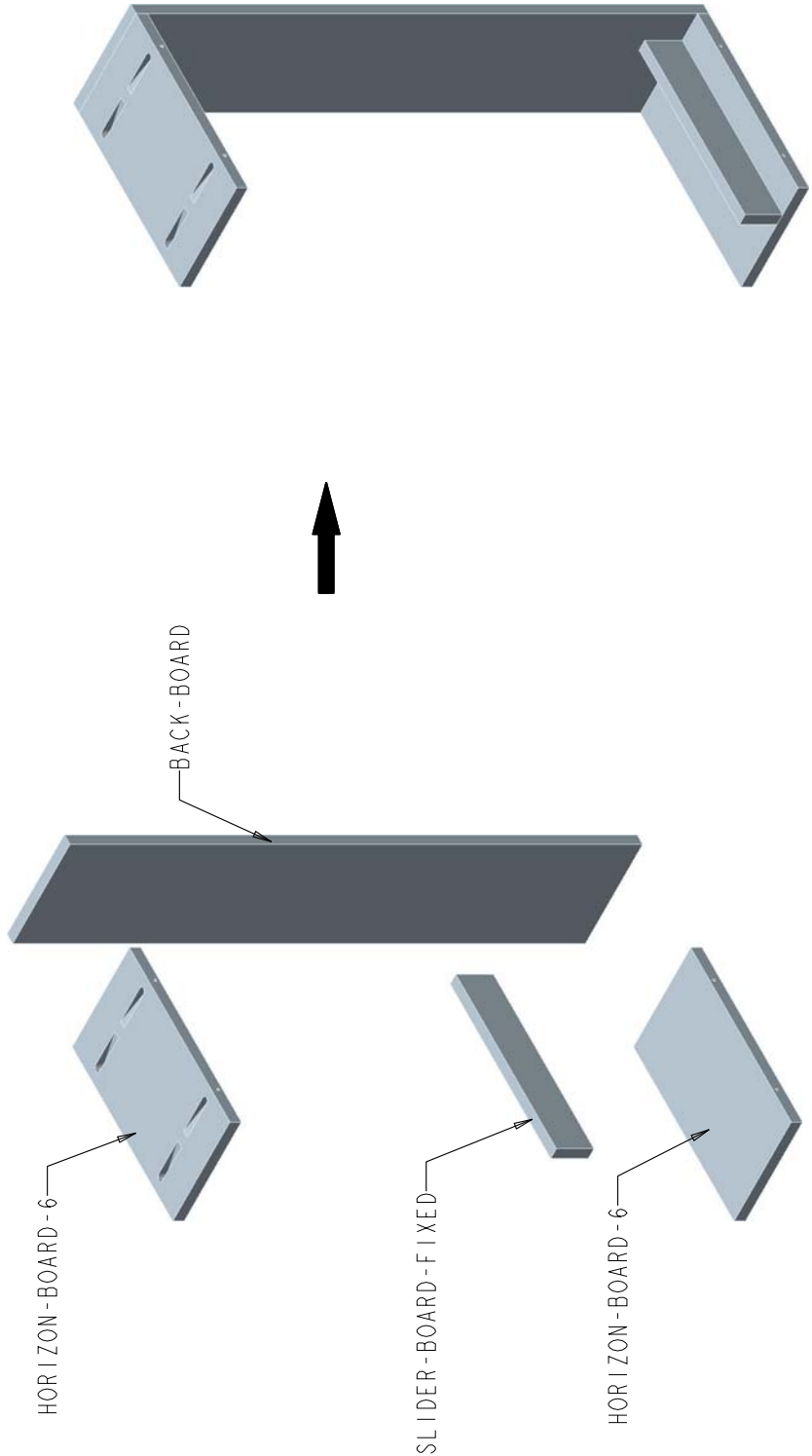


hardware resources

PROPRIETARY AND CONFIDENTIAL

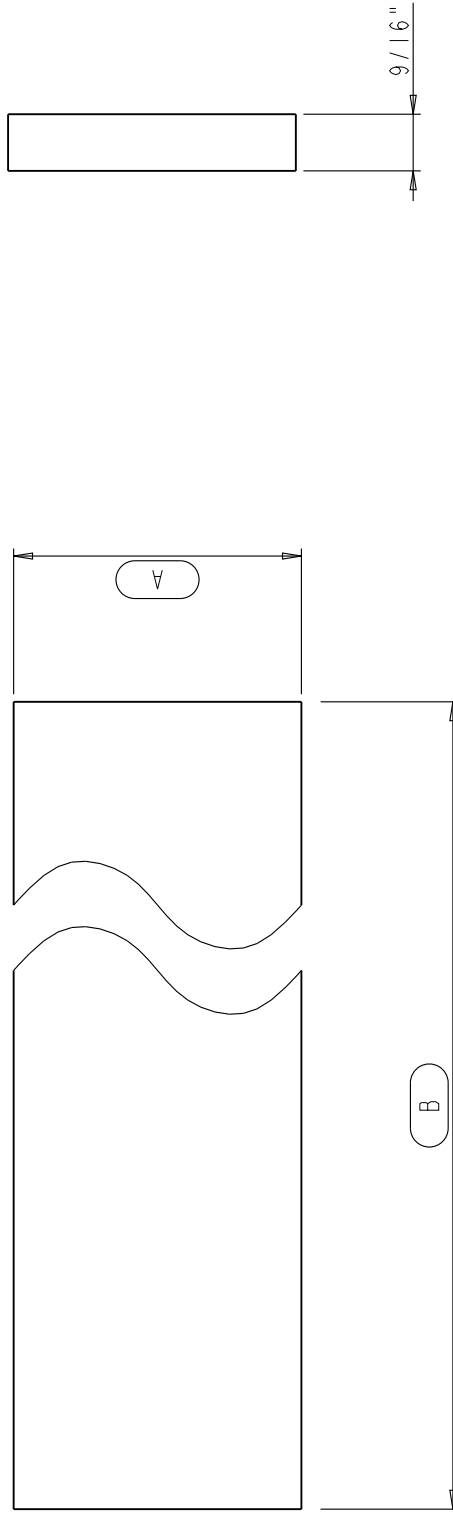
THE INFORMATION CONTAINED IN THIS DRAWING IS THE SOLE PROPERTY OF HARDWARE RESOURCES INC. ANY REPRODUCTION IN PART OR AS A WHOLE WITHOUT THE WRITTEN PERMISSION OF HARDWARE RESOURCES INC. IS PROHIBITED.

ITEM:	WF P06-42	MATERIAL:	
FINISH:		WEIGHT:	g
PROJECTION:		PROJECTION:	
TOLERANCE UNLESS OTHERWISE SPECIFIED:		DRAWN BY:	<i>elaine.liu</i>
X: .MM ±0.20		CHECKED BY:	
X.X: .MM ±0.10		APPROVED BY:	
X.XX: .MM ±0.05		DATE:	
ANGULAR: ±0.5°		DATE:	
DID NOT SCALE DRAWING		DATE:	



hardware resources
 PROPRIETARY AND CONFIDENTIAL
 THE INFORMATION CONTAINED IN THIS DRAWING IS THE SOLE PROPERTY OF HARDWARE RESOURCES INC. ANY REPRODUCTION IN PART OR AS A WHOLE WITHOUT THE WRITTEN PERMISSION OF HARDWARE RESOURCES INC. IS PROHIBITED.

ITEM:	MOUNT - FRAME - 6XX	MATERIAL:	
FINISH:		WEIGHT:	g
TOLERANCE UNLESS OTHERWISE SPECIED:		PROJECTION:	⊕
X: MM	+0.20	DRAWN BY:	<i>elena.lia</i>
XX: MM	+0.10	CHECKED BY:	
XXX: MM	+0.05	APPROVED BY:	
ANGULAR:	+0.5°	DATE:	
DID NOT SCALE DRAWING		DATE:	



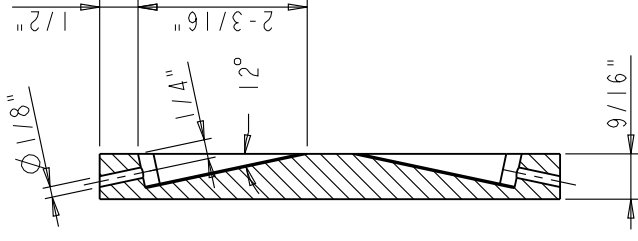
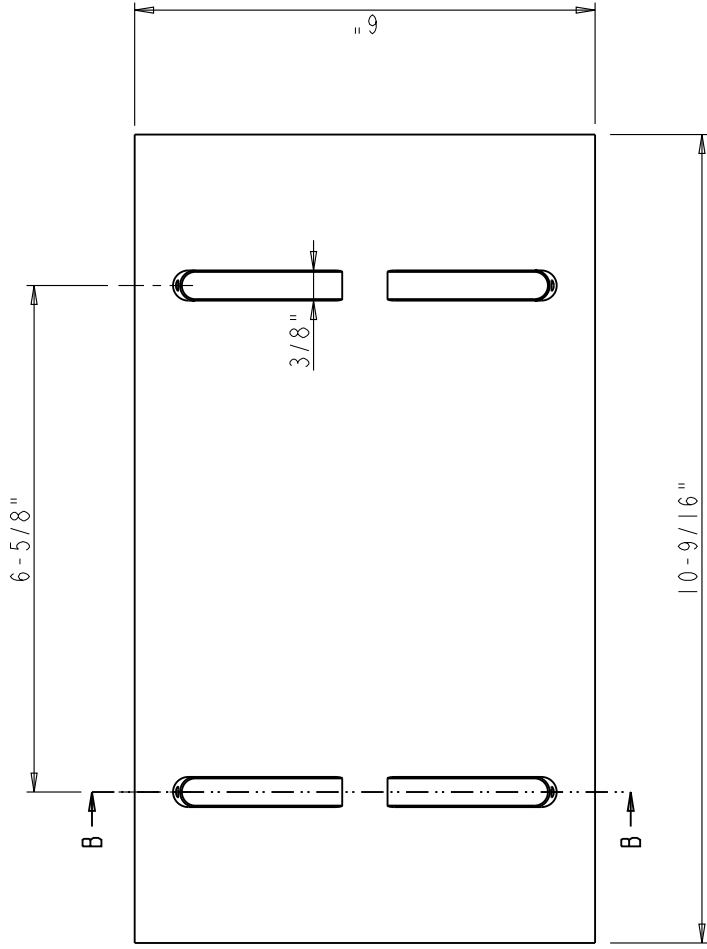
BACK-BOARD SPEC SHEET:

Part Name	A	B
BACK-BOARD-330	3"	30"
BACK-BOARD-336	3"	36"
BACK-BOARD-342	3"	42"
BACK-BOARD-630	6"	30"
BACK-BOARD-636	6"	36"
BACK-BOARD-642	6"	42"

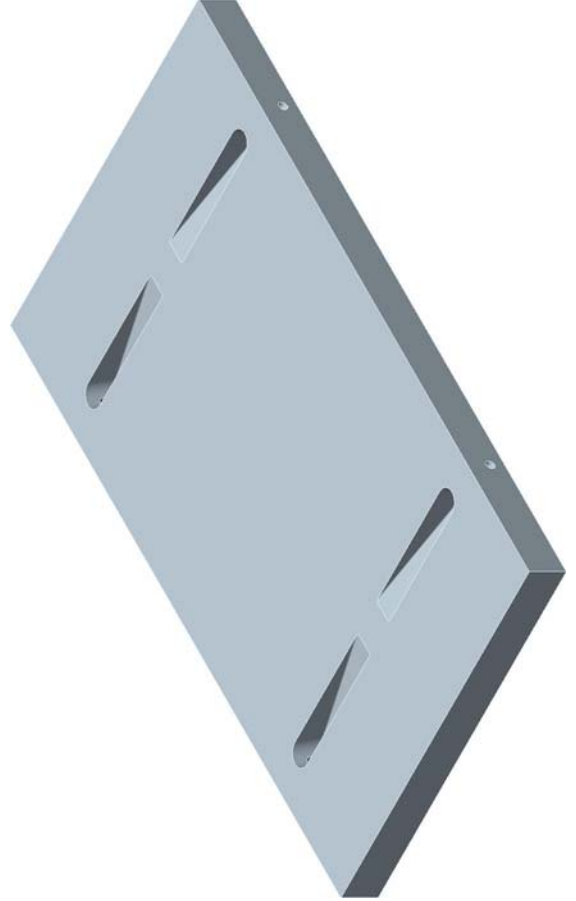
NOTE:

The dimension A & B of current BACK-BOARD is showing with red frame

	ITEM:	BACK-BOARD	MATERIAL:	PLY Wood
	FINISH:		WEIGHT:	g
PROPRIETARY AND CONFIDENTIAL THE INFORMATION CONTAINED IN THIS DRAWING IS THE SOLE PROPERTY OF HARDWARE RESOURCES INC. ANY REPRODUCTION IN PART OR AS A WHOLE WITHOUT THE WRITTEN PERMISSION OF HARDWARE RESOURCES INC. IS PROHIBITED.		PROJECTION:		
TOLERANCE UNLESS OTHERWISE SPECIFIED: X: MM ±0.20 XX: MM ±0.10 XXX: MM ±0.05 ANGULAR: ±0.5° DID NOT SCALE DRAWING	UNIT:	DRAWN BY:	DATE:	
	SIZE:	CHECKED BY:	DATE:	
		APPROVED BY:	DATE:	

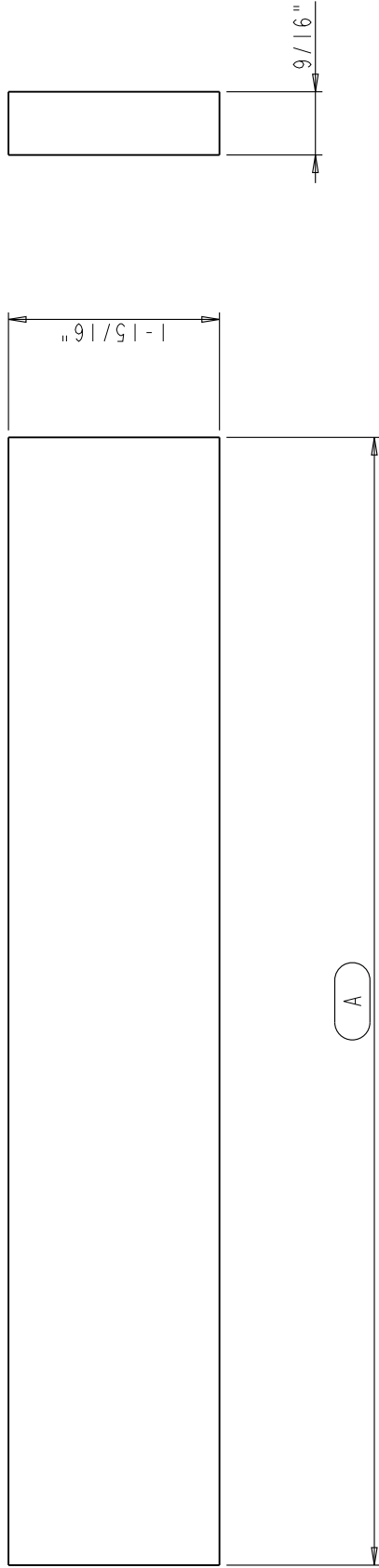


SECTION B-B



hardware resources
 PROPRIETARY AND CONFIDENTIAL
 THE INFORMATION CONTAINED IN THIS DRAWING IS THE SOLE PROPERTY OF HARDWARE RESOURCES INC. ANY REPRODUCTION IN PART OR AS A WHOLE WITHOUT THE WRITTEN PERMISSION OF HARDWARE RESOURCES INC. IS PROHIBITED.

ITEM:	HORIZON-BOARD-6	MATERIAL:	PLY Wood
FINISH:		WEIGHT:	g
TOLERANCE UNLESS OTHERWISE SPECIFIED: X: MM ±0.20 XX: MM ±0.10 XXX: MM ±0.05 ANGULAR: ±0.5° DID NOT SCALE DRAWING		PROJECTION:	
UNIT:		DRAWN BY:	<i>chase.liu</i>
SIZE:		CHECKED BY:	
		APPROVED BY:	
		DATE:	
		DATE:	
		DATE:	



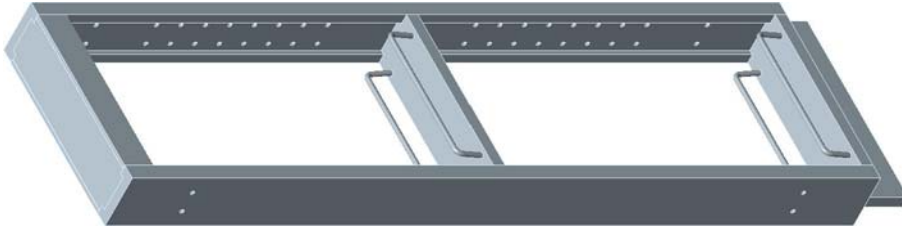
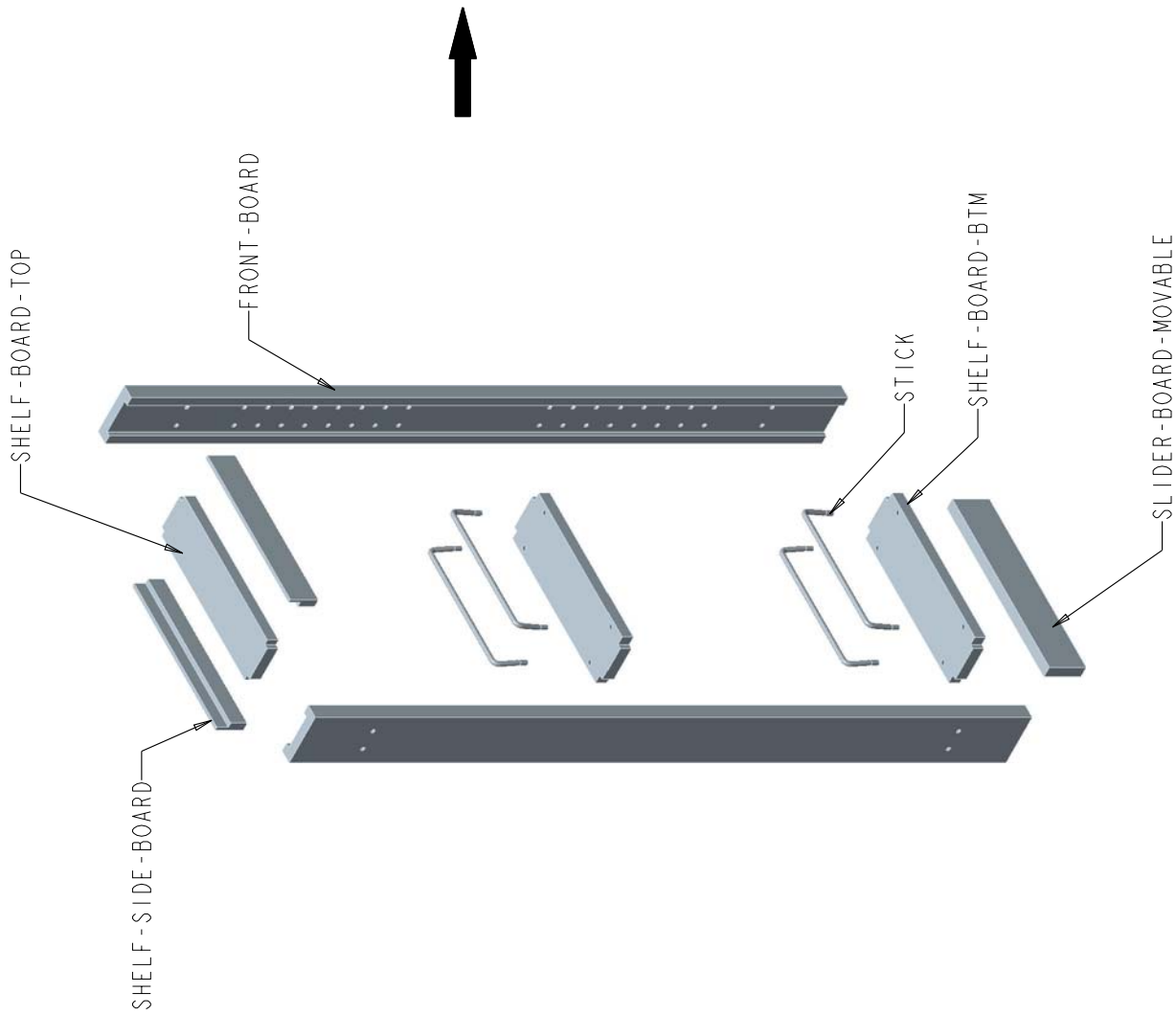
NOTE:

The dimension A of current SLIDER-BOARD is showing with red frame

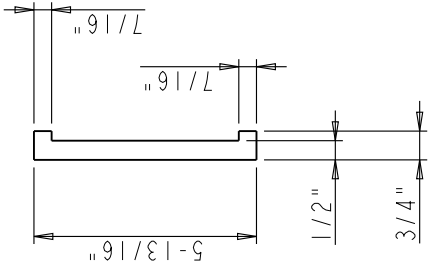
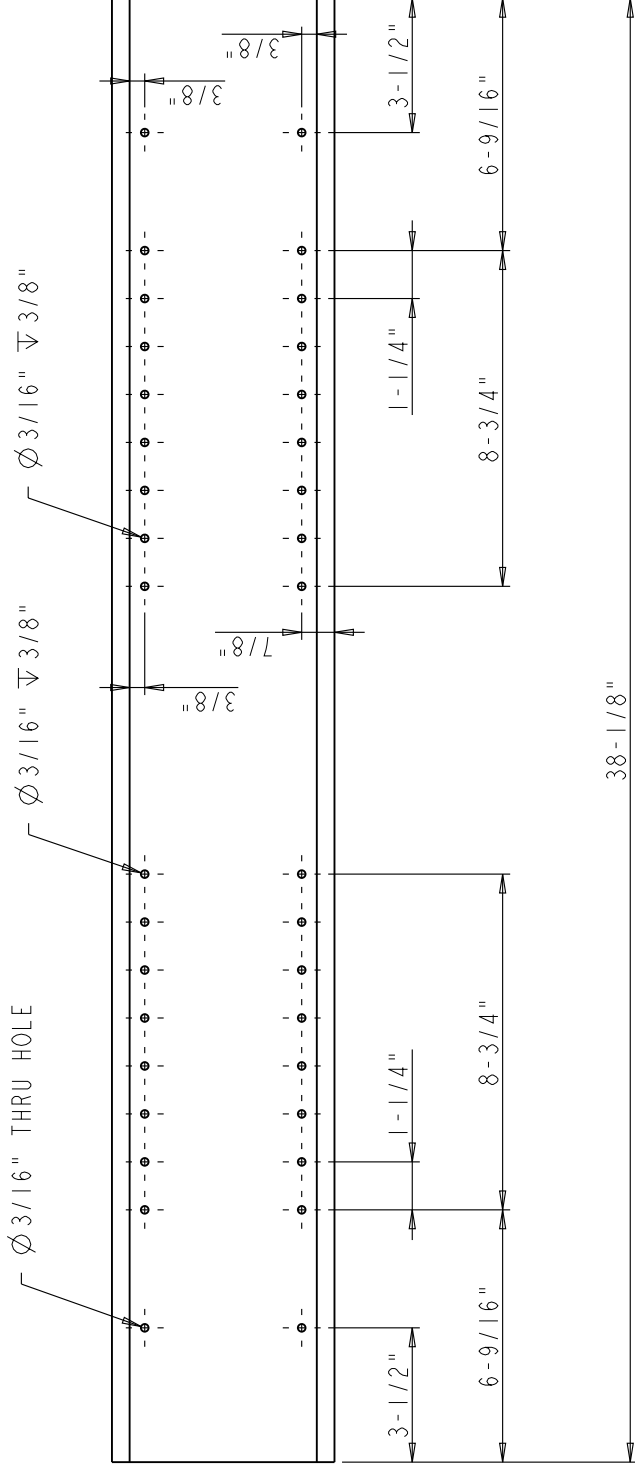
SLIDER-BOARD SPEC SHEET:

Part Name	A
SLIDER-BOARD-FIXED	10-9/16"
SLIDER-BOARD-MOVABLE	10-5/16"

	ITEM:	SLIDER-BOARD	MATERIAL:	PLY Wood
	FINISH:		WEIGHT:	g
PROPRIETARY AND CONFIDENTIAL THE INFORMATION CONTAINED IN THIS DRAWING IS THE SOLE PROPERTY OF HARDWARE RESOURCES INC. ANY REPRODUCTION IN PART OR AS A WHOLE WITHOUT THE WRITTEN PERMISSION OF HARDWARE RESOURCES INC. IS PROHIBITED.		PROJECTION:		
TOLERANCE UNLESS OTHERWISE SPECIFIED: X: MM ±0.20 XX: MM ±0.10 XXX: MM ±0.05 ANGULAR: ±0.5° DID NOT SCALE DRAWING		UNIT:	DRAWN BY:	DATE:
		SIZE:	CHECKED BY:	DATE:
			APPROVED BY:	DATE:

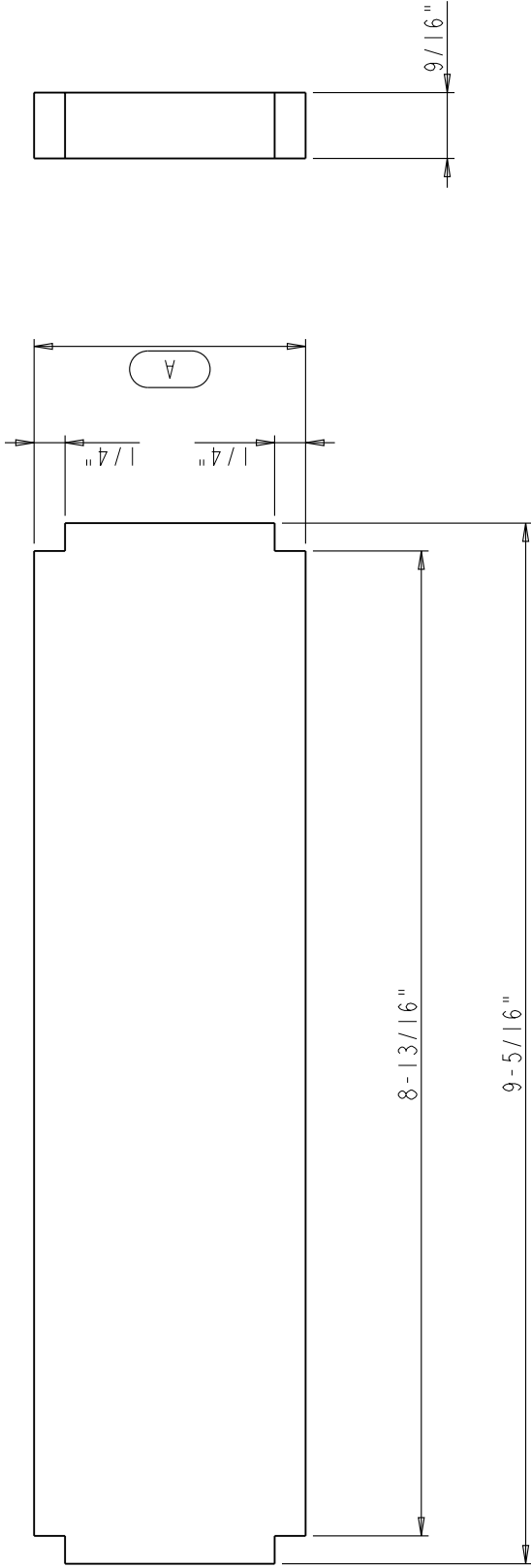


	ITEM:	PULL - FRAME - #42	MATERIAL:	
	FINISH:		WEIGHT:	g
PROPRIETARY AND CONFIDENTIAL THE INFORMATION CONTAINED IN THIS DRAWING IS THE SOLE PROPERTY OF HARDWARE RESOURCES INC. ANY REPRODUCTION IN PART OR AS A WHOLE WITHOUT THE WRITTEN PERMISSION OF HARDWARE RESOURCES INC. IS PROHIBITED.	UNIT:		PROJECTION:	
	TOLERANCE UNLESS OTHERWISE SPECIFIED:		DRAWN BY:	<i>chase.lia</i>
	X: MM ±0.20		CHECKED BY:	
	XX: MM ±0.10		APPROVED BY:	
			ANGULAR: °0.5°	DATE:
			DO NOT SCALE DRAWING	DATE:



hardware resources
 PROPRIETARY AND CONFIDENTIAL
 THE INFORMATION CONTAINED IN THIS DRAWING IS THE SOLE PROPERTY OF HARDWARE RESOURCES INC. ANY REPRODUCTION IN PART OR AS A WHOLE WITHOUT THE WRITTEN PERMISSION OF HARDWARE RESOURCES INC. IS PROHIBITED.

ITEM:	FRONT - BOARD - 642	MATERIAL:	
FINISH:		WEIGHT:	g
PROJECTION:		PROJECTION:	
UNIT:		DRAWN BY:	<i>elaine.lia</i>
TOLERANCE UNLESS OTHERWISE SPECIFIED:		CHECKED BY:	
X: .MM ±0.20		DATE:	
XX: .MM ±0.10		DATE:	
XXX: .MM ±0.05		DATE:	
ANGULAR: ±0.5°		DATE:	
DID NOT SCALE DRAWING		DATE:	



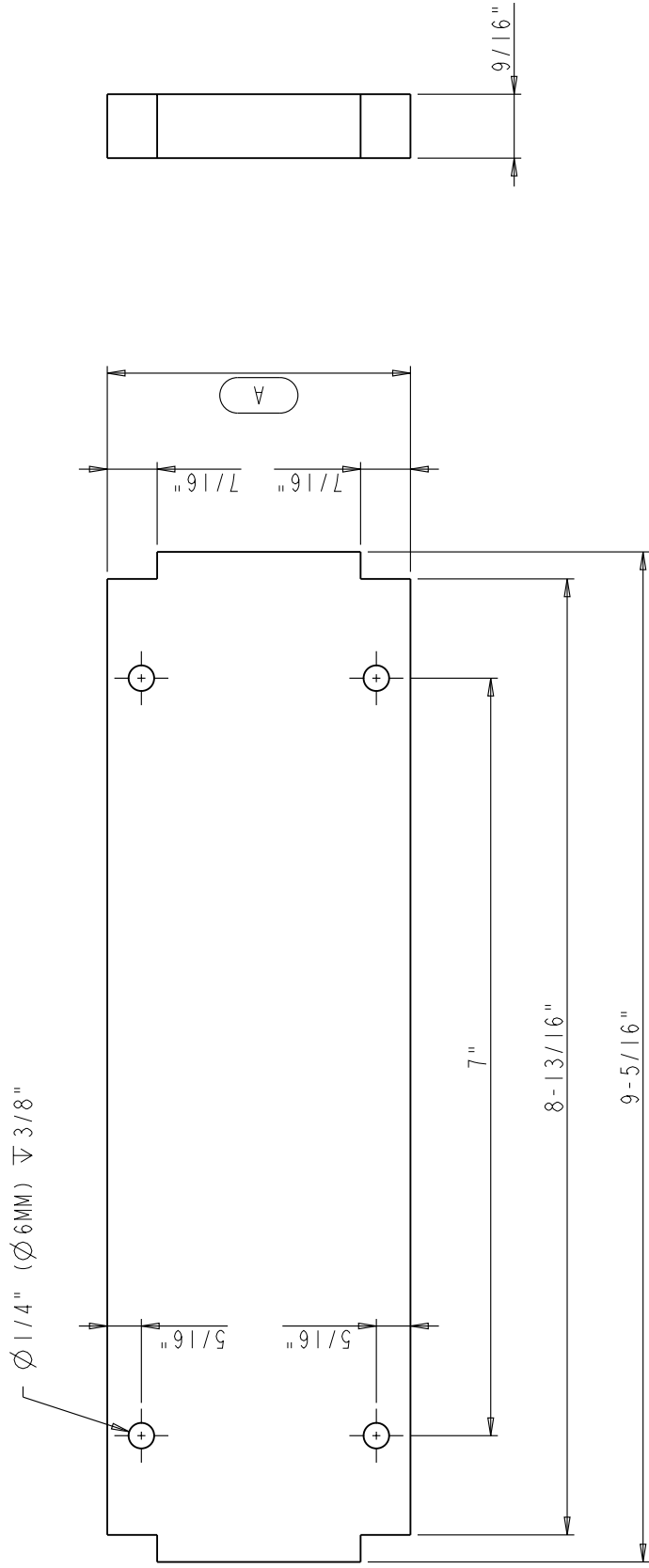
NOTE:

The dimension A of current SHELF-BOARD-TOP is showing with red frame

SHELF-BOARD-TOP SPEC SHEET:

Part Name	A
SHELF-BOARD-3-TOP	2-7/16"
SHELF-BOARD-6-TOP	5-7/16"

	ITEM:	SHELF-BOARD-TOP	MATERIAL:	PLY Wood
	FINISH:		WEIGHT:	g
PROPRIETARY AND CONFIDENTIAL THE INFORMATION CONTAINED IN THIS DRAWING IS THE SOLE PROPERTY OF HARDWARE RESOURCES INC. ANY REPRODUCTION IN PART OR AS A WHOLE WITHOUT THE WRITTEN PERMISSION OF HARDWARE RESOURCES INC. IS PROHIBITED.		PROJECTION:		
		UNIT:	DRAWN BY:	DATE:
		OTHERWISE SPECIFIED:	<i>clear. lisa</i>	
		X: MM ±0.20	CHECKED BY:	DATE:
		XX: MM ±0.10		
		XXX: MM ±0.05	APPROVED BY:	DATE:
		ANGULAR: ±0.5°		
		DID NOT SCALE DRAWING		



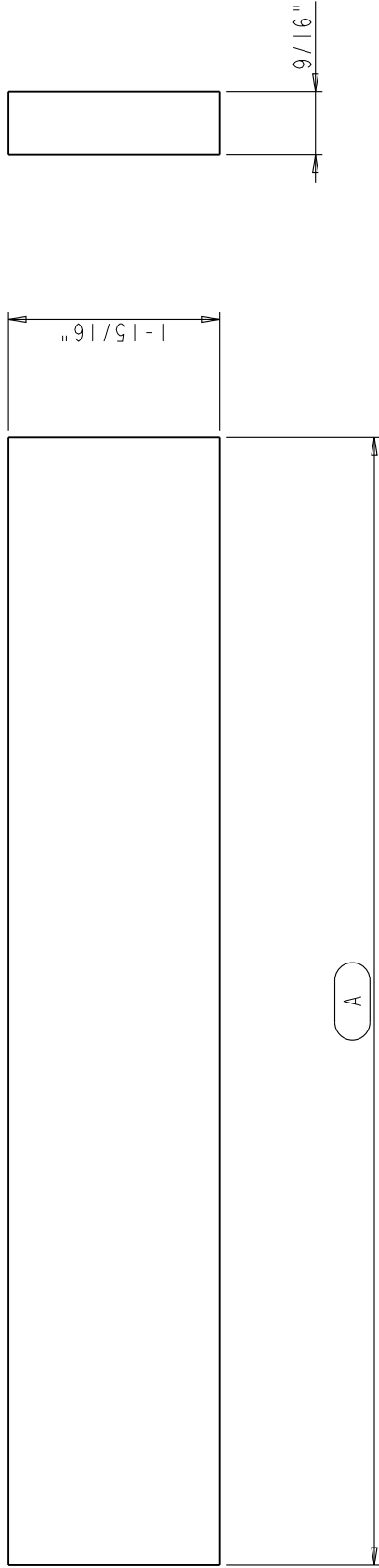
NOTE :

The dimension A of current SHELF-BOARD-BTM is showing with red frame

SHELF-BOARD-BTM SPEC SHEET:

Part Name	A
SHELF-BOARD-3-BTM	2-13/16"
SHELF-BOARD-6-BTM	5-13/16"

	ITEM:	SHELF-BOARD-BTM	MATERIAL:	PLY Wood
	FINISH:		WEIGHT:	g
PROPRIETARY AND CONFIDENTIAL THE INFORMATION CONTAINED IN THIS DRAWING IS THE SOLE PROPERTY OF HARDWARE RESOURCES INC. ANY REPRODUCTION IN PART OR AS A WHOLE WITHOUT THE WRITTEN PERMISSION OF HARDWARE RESOURCES INC. IS PROHIBITED.		PROJECTION:		
TOLERANCE UNLESS OTHERWISE SPECIFIED: X: MM ±0.20 XX: MM ±0.10 XXX: MM ±0.05 ANGULAR: ±0.5° DID NOT SCALE DRAWING		UNIT:		
		SIZE:		
		DRAWN BY:	<i>charlie</i>	DATE:
		CHECKED BY:		DATE:
		APPROVED BY:		DATE:



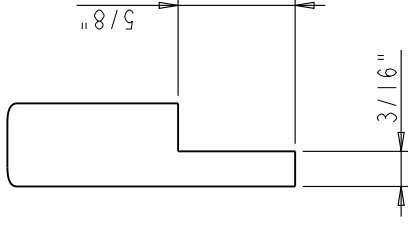
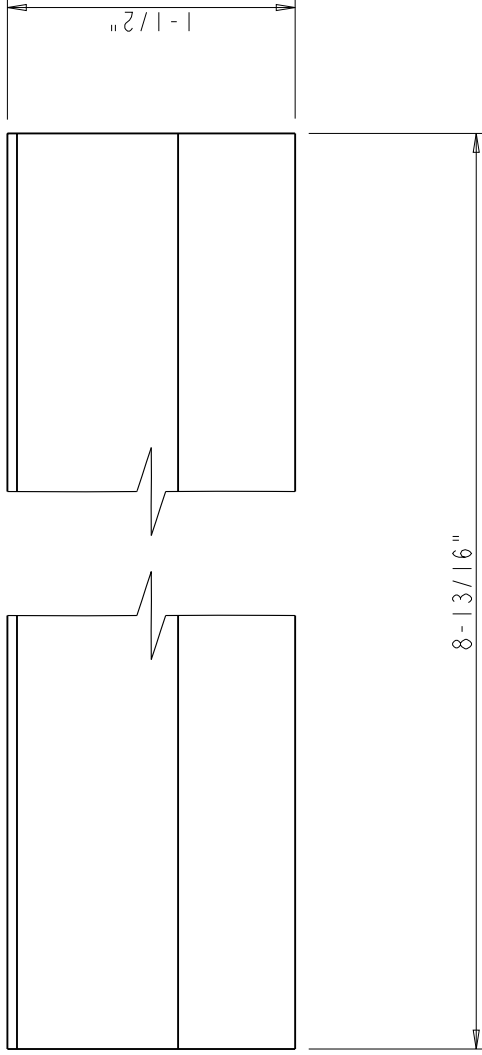
NOTE:

The dimension A of current SLIDER-BOARD is showing with red frame

SLIDER-BOARD SPEC SHEET:

Part Name	A
SLIDER-BOARD-FIXED	10-9/16"
SLIDER-BOARD-MOVABLE	10-5/16"

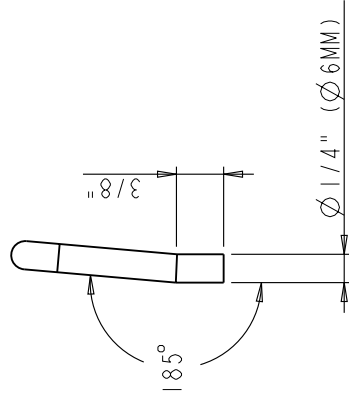
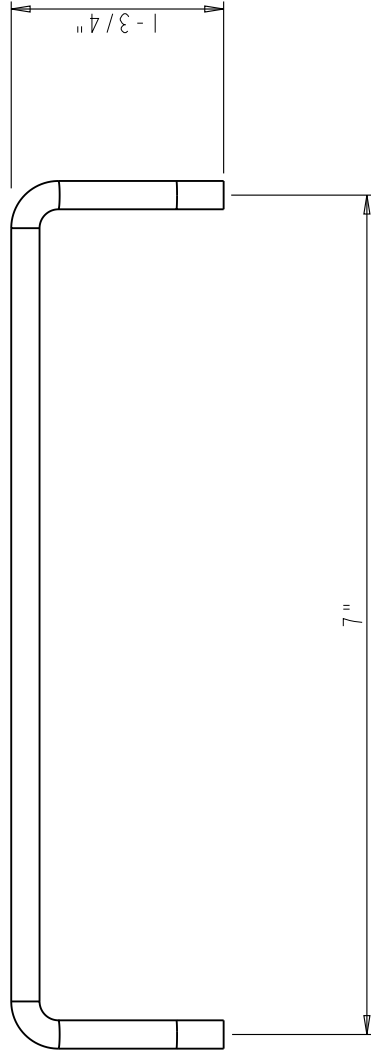
	ITEM:	SLIDER-BOARD	MATERIAL:	PLY Wood
	FINISH:		WEIGHT:	g
PROPRIETARY AND CONFIDENTIAL THE INFORMATION CONTAINED IN THIS DRAWING IS THE SOLE PROPERTY OF HARDWARE RESOURCES INC. ANY REPRODUCTION IN PART OR AS A WHOLE WITHOUT THE WRITTEN PERMISSION OF HARDWARE RESOURCES INC. IS PROHIBITED.		PROJECTION:		
TOLERANCE UNLESS OTHERWISE SPECIFIED: X: MM ±0.20 XX: MM ±0.10 XXX: MM ±0.05 ANGULAR: ±0.5° DID NOT SCALE DRAWING		UNIT:		DATE:
		DRAWN BY:	<i>elena.liu</i>	DATE:
		CHECKED BY:		DATE:
		APPROVED BY:		DATE:



hardware resources

PROPRIETARY AND CONFIDENTIAL
 THE INFORMATION CONTAINED IN THIS DRAWING IS THE SOLE PROPERTY OF HARDWARE RESOURCES INC. ANY REPRODUCTION IN PART OR AS A WHOLE WITHOUT THE WRITTEN PERMISSION OF HARDWARE RESOURCES INC. IS PROHIBITED.

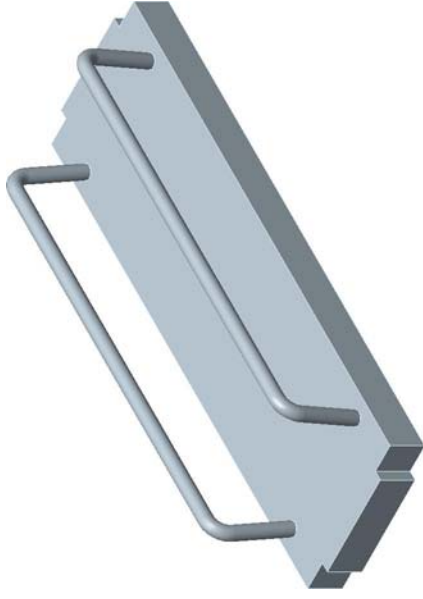
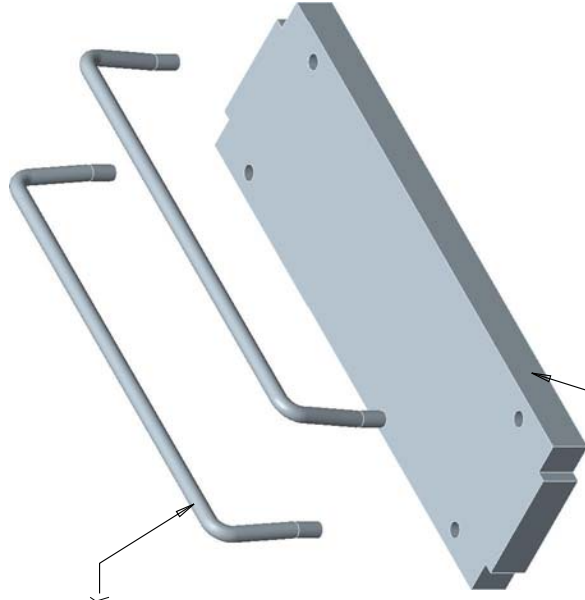
ITEM:	SHELF-SIDE-BOARD	MATERIAL:	Maple
FINISH:		WEIGHT:	g
TOLERANCE UNLESS OTHERWISE SPECIED:		PROJECTION:	
X: MM	+0.20	DRAWN BY:	<i>elena.liu</i>
XX: MM	+0.10	CHECKED BY:	
XXX: MM	+0.05	APPROVED BY:	
ANGULAR:	+0.5°	DATE:	
DID NOT SCALE DRAWING		DATE:	



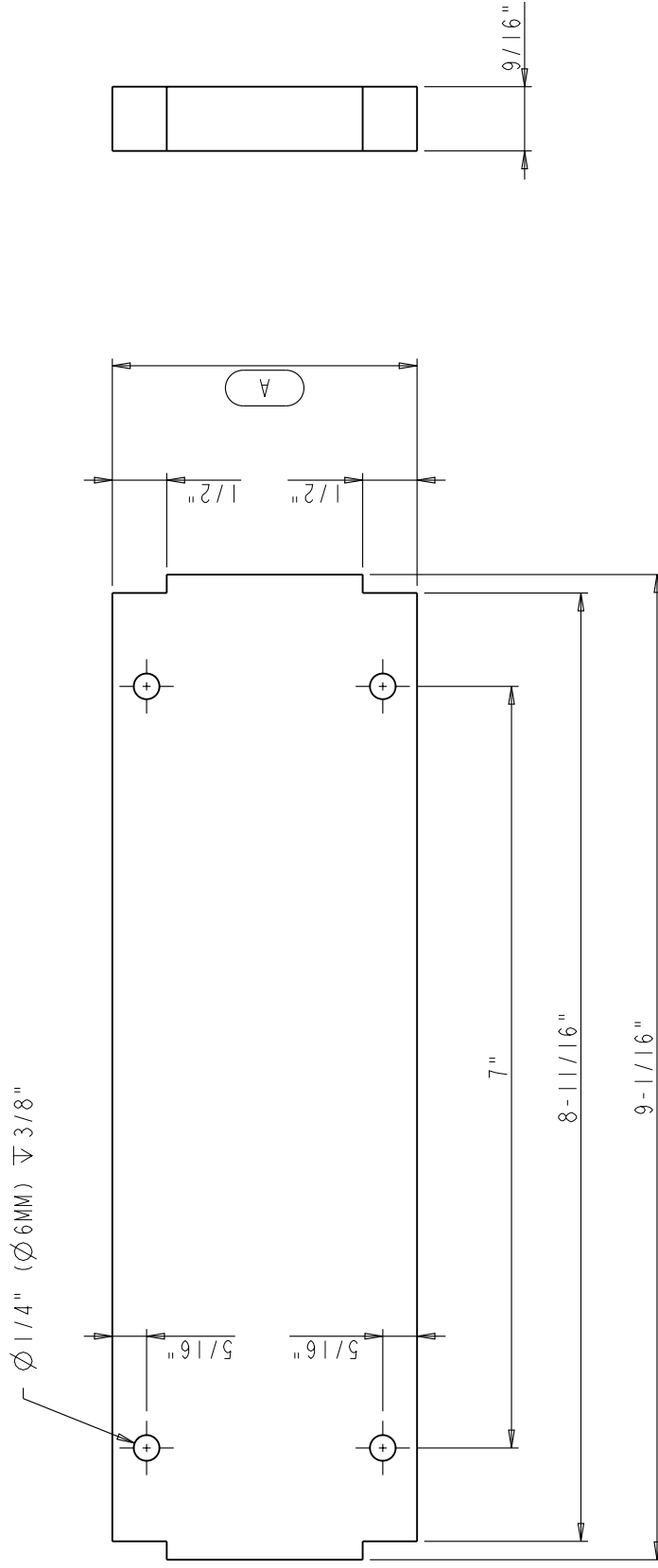
hardware resources

PROPRIETARY AND CONFIDENTIAL
 THE INFORMATION CONTAINED IN THIS DRAWING IS THE SOLE PROPERTY OF HARDWARE RESOURCES INC. ANY REPRODUCTION IN PART OR AS A WHOLE WITHOUT THE WRITTEN PERMISSION OF HARDWARE RESOURCES INC. IS PROHIBITED.

ITEM:	STICK	MATERIAL:	
FINISH:		WEIGHT:	g
TOLERANCE UNLESS OTHERWISE SPECIFIED: X: MM ±0.20 XX: MM ±0.10 XXX: MM ±0.05 ANGULAR: ±0.5° DID NOT SCALE DRAWING		PROJECTION:	
UNIT:		DRAWN BY:	<i>elena.lia</i>
SIZE:		CHECKED BY:	
		APPROVED BY:	
		DATE:	



	ITEM:	REMOVABLE - SHELF	MATERIAL:	
	FINISH:		WEIGHT:	g
PROPRIETARY AND CONFIDENTIAL THE INFORMATION CONTAINED IN THIS DRAWING IS THE SOLE PROPERTY OF HARDWARE RESOURCES INC. ANY REPRODUCTION IN PART OR AS A WHOLE WITHOUT THE WRITTEN PERMISSION OF HARDWARE RESOURCES INC. IS PROHIBITED.	PROJECTION:			
	UNIT:		DRAWN BY:	<i>elaine.liu</i>
	TOLERANCE UNLESS OTHERWISE SPECIFIED:		CHECKED BY:	
	X . MM ±0.20		APPROVED BY:	
	XX . MM ±0.10		DATE:	
XXX . MM ±0.05		DATE:		
ANGULAR: ±0.5°		DATE:		
DID NOT SCALE DRAWING				



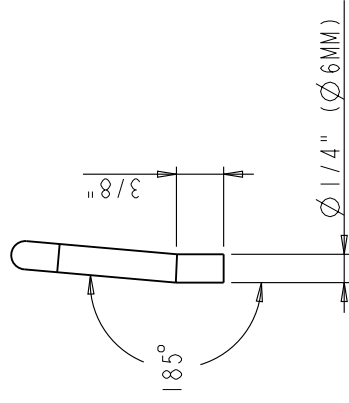
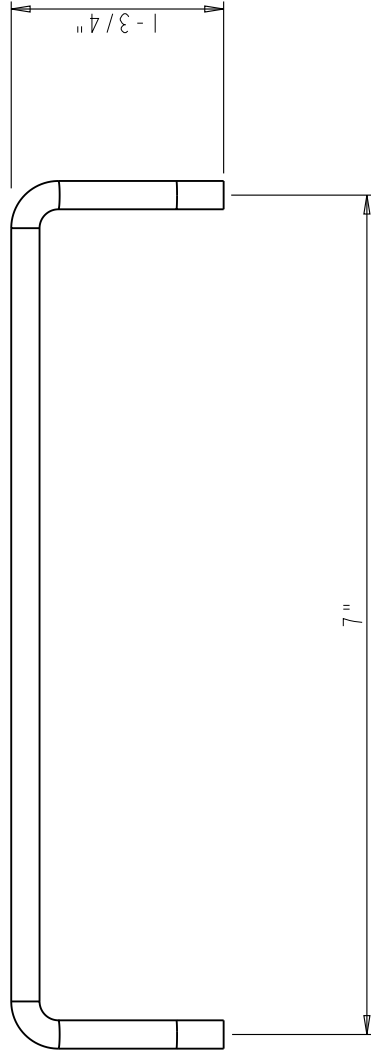
NOTE :

The dimension A of current SHELF-BOARD-MOVABLE is showing with red frame

SHELF-BOARD-MOVABLE SPEC SHEET :

Part Name	A
SHELF-BOARD-3-MOVABLE	2-13/16"
SHELF-BOARD-6-MOVABLE	5-13/16"

	ITEM:	SHELF-BOARD-MOVABLE	MATERIAL:	PLY Wood
	FINISH:		WEIGHT:	9
PROPRIETARY AND CONFIDENTIAL THE INFORMATION CONTAINED IN THIS DRAWING IS THE SOLE PROPERTY OF HARDWARE RESOURCES INC. ANY REPRODUCTION IN PART OR AS A WHOLE WITHOUT THE WRITTEN PERMISSION OF HARDWARE RESOURCES INC. IS PROHIBITED.		TOLERANCE UNLESS OTHERWISE SPECIFIED: X: MM ±0.20 XX: MM ±0.10 XXX: MM ±0.05 ANGULAR: ±0.5° DID NOT SCALE DRAWING	PROJECTION: 	DATE:
	UNIT:		DRAWN BY:	<i>elaine.liu</i>
	SIZE:		CHECKED BY:	
			APPROVED BY:	
			DATE:	



hardware resources

PROPRIETARY AND CONFIDENTIAL
 THE INFORMATION CONTAINED IN THIS DRAWING IS THE SOLE PROPERTY OF HARDWARE RESOURCES INC. ANY REPRODUCTION IN PART OR AS A WHOLE WITHOUT THE WRITTEN PERMISSION OF HARDWARE RESOURCES INC. IS PROHIBITED.

ITEM:	STICK	MATERIAL:	
FINISH:		WEIGHT:	g
TOLERANCE UNLESS OTHERWISE SPECIFIED: X: MM ±0.20 XX: MM ±0.10 XXX: MM ±0.05 ANGULAR: ±0.5° DID NOT SCALE DRAWING		PROJECTION:	
UNIT:		DRAWN BY:	<i>elena.lia</i>
SIZE:		CHECKED BY:	
		APPROVED BY:	
		DATE:	