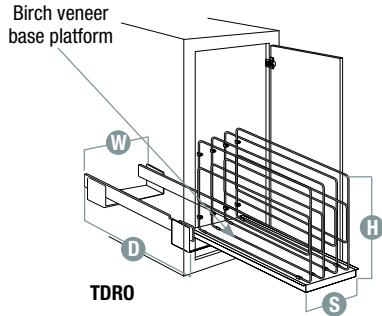


Wood & Wire Divider Roll-Outs

- KV eco-friendly Frosted Nickel finish
- Heavy gauge Frosted Nickel wire frames
- Birch veneer base platform
- Slides out on heavy-duty, full-extension ball bearing slides



See page 62 - 63 for recommended cabinet dimensions and clearances.

Stock #	Sliding Assembly Width S	Assembled Product Dimensions			Finish [Wire/Platform]	Units per Carton	Weight per Carton
		W Width	H Height	D Depth			
POT & PAN CADDY							
SPS21-FN	19-1/2" [495 mm]	19-1/2" [495 mm]	14-1/4" [362 mm]	22-1/4" [565 mm]	**Frosted Nickel/ Birch	1	32.6 lbs. [14.8 kg.]
SPS27-FN	25-1/2" [648 mm]	25-1/2" [648 mm]	14-1/4" [362 mm]	22-1/4" [565 mm]	**Frosted Nickel/ Birch	1	33.8 lbs. [15.3 kg.]
TRAY DIVIDER ROLL-OUTS							
TDRO-FNW-6	5-15/16" [151 mm]	5-15/16" [151 mm]	14" [356 mm]	22-1/4" [565 mm]	**Frosted Nickel/ Birch	1	11.5 lbs. [5.2 kg.]
TDRO-FNW-9	8-11/16" [221 mm]	8-11/16" [221 mm]	14" [356 mm]	22-1/4" [565 mm]	**Frosted Nickel/ Birch	1	13.9 lbs. [6.3 kg.]

**See page 4 for Frosted Nickel information.

Cabinet Dimensions

Stock #	Min. Cabinet Opening		Minimum Interior Cabinet Dimensions			Minimum Cabinet Clearances	
	O Width	W Width	H Height	D Depth	F Front	B Back	
Slide-Out Base Blind Corner Units							
BBCS-L-15-FN	15" [381 mm]	26-11/16" [678 mm]	20-1/4" [514 mm]	22-11/16" [576 mm]	1/4" [6 mm]	1/4" [6 mm]	
BBC-T-L-15-FN	15" [381 mm]	26-11/16" [678 mm]	27-1/4" [692 mm]	22-11/16" [576 mm]	1/4" [6 mm]	1/4" [6 mm]	
BBCS-R-15-FN	15" [381 mm]	26-11/16" [678 mm]	20-1/4" [514 mm]	22-11/16" [576 mm]	1/4" [6 mm]	1/4" [6 mm]	
BBC-T-R-15-FN	15" [381 mm]	26-11/16" [678 mm]	27-1/4" [692 mm]	22-11/16" [576 mm]	1/4" [6 mm]	1/4" [6 mm]	
Center-Mount Pantry Roll-Outs							
P1875CM-FN	*	*	20-1/2" [520 mm]	22-1/4" [565 mm]	-	-	
P2500CM-FN	*	*	26-3/4" [679 mm]	22-1/4" [565 mm]	-	-	
P4250CM-FN	*	*	44" [1117 mm]	22-1/4" [565 mm]	-	-	
P4650CM-FN	*	*	48" [1219 mm]	22-1/4" [565 mm]	-	-	
P5450CM-FN	*	*	56" [1422 mm]	22-1/4" [565 mm]	-	-	
Pot & Pan Pantry Organizer							
PAN1700TM-FN	18" [457 mm]	18" [457 mm]	24" [610 mm]	24" [610 mm]	-	1/2" [13 mm]	
Pot & Pan Caddy							
SPS21-FN	20" [508 mm]	20" [508 mm]	14-3/4" [375 mm]	22-3/4" [578 mm]	1/4" [6 mm]	1/4" [6 mm]	
SPS27-FN	26" [660 mm]	26" [660 mm]	14-3/4" [375 mm]	22-3/4" [578 mm]	1/4" [6 mm]	1/4" [6 mm]	
Wood & Wire Tray Divider Roll-Outs							
TDRO-FNW-6	6" [152 mm]	6-7/16" [164 mm]	14-1/2" [368 mm]	22-3/4" [578 mm]	1/4" [6 mm]	1/4" [6 mm]	
TDRO-FNW-9	9" [229 mm]	9-3/16" [233 mm]	14-1/2" [368 mm]	22-3/4" [578 mm]	1/4" [6 mm]	1/4" [6 mm]	
Appliance Lift (see page 59 for additional clearances)							
HAL-20	Platform Width + 1" [25 mm]	Platform Width + 2-1/2" [64 mm]	25" [634 mm]	Minimum of 16-1/2" [419 mm] OR platform depth	1/2" [13 mm]	1/2" [13 mm]	
Hampers							
PSH15-160-W	15" [381 mm]	15-5/8" [397 mm]	21-9/16" [548 mm]	19-5/8" [498 mm]	1/4" [6 mm]	1/4" [6 mm]	
PDMSH15-1-60-W	15" [381 mm]	15-5/8" [397 mm]	21-9/16" [548 mm]	19-5/8" [498 mm]	1/4" [6 mm]	1/4" [6 mm]	
H1215-W	12" [305 mm]	12-5/8" [321 mm]	15-1/8" [384 mm]	19-1/4" [489 mm]	1/4" [6 mm]	1/4" [6 mm]	
H1218-W	12" [305 mm]	12-5/8" [321 mm]	19-3/8" [492 mm]	19-1/4" [489 mm]	1/4" [6 mm]	1/4" [6 mm]	
H1515-W	15" [381 mm]	15-5/8" [397 mm]	15-1/8" [384 mm]	19-1/4" [489 mm]	1/4" [6 mm]	1/4" [6 mm]	
H1518-W	15" [381 mm]	15-5/8" [397 mm]	19-3/8" [492 mm]	19-1/4" [489 mm]	1/4" [6 mm]	1/4" [6 mm]	
MH1215-W	12" [305 mm]	12-5/8" [321 mm]	15-1/8" [384 mm]	16-1/2" [419 mm]	1/4" [6 mm]	1/4" [6 mm]	
TO1710-1-W	11" [279 mm]	11" [279 mm]	18-1/4" [464 mm]	19-5/16" [491 mm]	1/4" [6 mm]	1/4" [6 mm]	
TO1710-W	11" [279 mm]	11" [279 mm]	18-1/4" [464 mm]	19-5/16" [491 mm]	1/4" [6 mm]	1/4" [6 mm]	
TO1713-1-W	14" [356 mm]	14" [356 mm]	18-1/4" [464 mm]	19-5/16" [491 mm]	1/4" [6 mm]	1/4" [6 mm]	
TO1713-W	14" [356 mm]	14" [356 mm]	18-1/4" [464 mm]	19-5/16" [491 mm]	1/4" [6 mm]	1/4" [6 mm]	
TO1716-1-W	17" [432 mm]	17" [432 mm]	18-1/4" [464 mm]	19-5/16" [491 mm]	1/4" [6 mm]	1/4" [6 mm]	
TO1716-W	17" [432 mm]	17" [432 mm]	18-1/4" [464 mm]	19-5/16" [491 mm]	1/4" [6 mm]	1/4" [6 mm]	
Slide-Out Towel Bar							
P79 3 ANO	5-5/16" [135 mm]	5-5/16" [135 mm]	1-13/16" [46 mm]	18-1/4" [464 mm]	1/4" [6 mm]	1/4" [6 mm]	
Center-Mount Pantry Roll-Out							
P1875CM-W	*	*	20-1/2" [520 mm]	22-1/4" [565 mm]	-	-	
P2500CM-W	*	*	26-3/4" [670 mm]	22-1/4" [565 mm]	-	-	
P4250CM-W	*	*	44" [1117 mm]	22-1/4" [565 mm]	-	-	
P4650CM-W	*	*	48" [1219 mm]	22-1/4" [565 mm]	-	-	
P5450CM-W	*	*	56" [1422 mm]	22-1/4" [565 mm]	-	-	
Side-Mount Pantry Roll-Out							
P4250FE-W	*	*	44" [1117 mm]	22-1/4" [565 mm]	-	-	
P4650FE-W	*	*	48" [1219 mm]	22-1/4" [565 mm]	-	-	

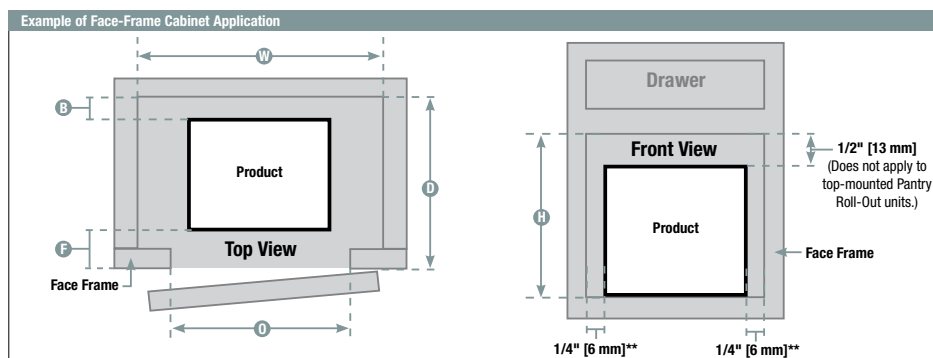
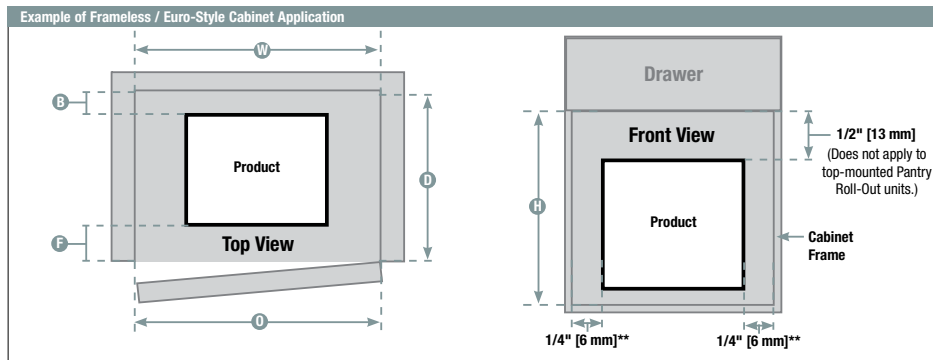
Minimum Cabinet Opening Width AND Minimum Cabinet Interior Width equals total width of completely assembled unit with all baskets applied, plus 1/2" clearance per side (1" total clearance for center-mounted units, 1/2" side clearance for side-mounted units). Dimensions shown are recommended minimum cabinet dimensions and clearances.

62 Pull-Out Systems

kitchensource.com

1.800.667.8721

P5050FE-W	*	*	52" [1320 mm]	22-1/4" [565 mm]	-	-
P5450FE-W	*	*	56" [1422 mm]	22-1/4" [565 mm]	-	-
P6500FE-W	*	*	66-1/2" [1689 mm]	22-1/4" [565 mm]	-	-
P4250FE-FN	*	*	44" [1117 mm]	22-1/4" [565 mm]	-	-
P4650FE-FN	*	*	48" [1219 mm]	22-1/4" [565 mm]	-	-
P5450FE-FN	*	*	56" [1422 mm]	22-1/4" [565 mm]	-	-
Vegetable Bin Assembly						
VBA11-3-FN	11" [279 mm]	11-1/2" [292 mm]	20-1/4" [514 mm]	21-3/4" [552 mm]	1/4" [6 mm]	1/4" [6 mm]
VBA11-3-W	11" [279 mm]	11-1/2" [292 mm]	20-1/4" [514 mm]	21-3/4" [552 mm]	1/4" [6 mm]	1/4" [6 mm]
VBA14-3-W	14" [356 mm]	14-1/2" [368 mm]	20-1/4" [514 mm]	21-3/4" [552 mm]	1/4" [6 mm]	1/4" [6 mm]
Base Cabinet Organizer						
BC020E-W	*	*	21-11/16" [551 mm]	22-3/16" [564 mm]	1/4" [6 mm]	1/4" [6 mm]
BC02456-W	*	*	25-1/2" [648 mm]	22-1/2" [572 mm]	1/4" [6 mm]	1/4" [6 mm]
Base Roll-Out						
B1700-W	*	*	19-3/4" [502 mm]	22-3/16" [564 mm]	1/4" [6 mm]	1/4" [6 mm]
Multi-Use Baskets						
GUSB11-FN	12" [305 mm]	12-5/8" [321 mm]	15-15/16" [405 mm]	19-1/4" [489 mm]	1/4" [6 mm]	1/4" [6 mm]
GUSB14-FN	15" [381 mm]	15-5/8" [397 mm]	15-15/16" [405 mm]	19-1/4" [489 mm]	1/4" [6 mm]	1/4" [6 mm]
USB11-W	12" [305 mm]	12-5/8" [321 mm]	16" [406 mm]	19-1/4" [489 mm]	1/4" [6 mm]	1/4" [6 mm]
USB14-W	15" [381 mm]	15-5/8" [397 mm]	16" [406 mm]	19-1/4" [489 mm]	1/4" [6 mm]	1/4" [6 mm]
USB11TM-W	12" [305 mm]	12-5/8" [321 mm]	9-13/16" [249 mm]	19-5/8" [498 mm]	1/4" [6 mm]	1/4" [6 mm]
USB14TM-W	15" [381 mm]	15-5/8" [397 mm]	9-13/16" [249 mm]	19-5/8" [498 mm]	1/4" [6 mm]	1/4" [6 mm]
MUB11-FN	11-1/2" [292 mm]	12" [305 mm]	5-11/16" [144 mm]	20-1/4" [514 mm]	1/4" [6 mm]	1/4" [6 mm]
MUB14-FN	14-1/2" [368 mm]	15" [381 mm]	5-11/16" [144 mm]	20-1/4" [514 mm]	1/4" [6 mm]	1/4" [6 mm]
MUB17-FN	17-1/2" [444 mm]	18" [457 mm]	5-11/16" [144 mm]	20-1/4" [514 mm]	1/4" [6 mm]	1/4" [6 mm]
MU11-W	12" [305 mm]	12-5/8" [321 mm]	5-11/16" [144 mm]	19-1/4" [489 mm]	1/4" [6 mm]	1/4" [6 mm]
MU14-W	15" [381 mm]	15-5/8" [397 mm]	5-11/16" [144 mm]	19-1/4" [489 mm]	1/4" [6 mm]	1/4" [6 mm]
Tray Divider Roll-Outs						
TDR06-W	6" [152 mm]	6-1/2" [165 mm]	20" [508 mm]	22-1/2" [572 mm]	1/4" [6 mm]	1/4" [6 mm]
TDR09-W	9" [229 mm]	9-1/2" [241 mm]	20" [508 mm]	22-1/2" [572 mm]	1/4" [6 mm]	1/4" [6 mm]



** Slide-out Base Blind Corner Units and Base Cabinet Organizers require 1/2" side clearance on one side, not both.