

Single-Tier



2-Tier



Under Sink

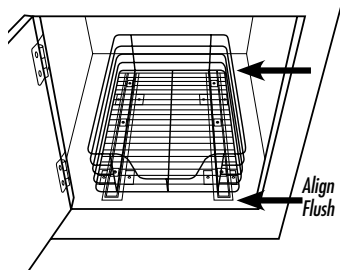


Waste Can



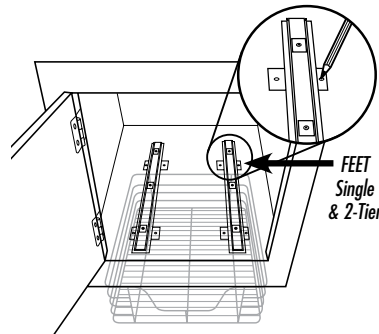
**STEP 1**

Place organizer in cabinet in the desired location. *Make sure slides are flush with the front and back of organizer basket.*



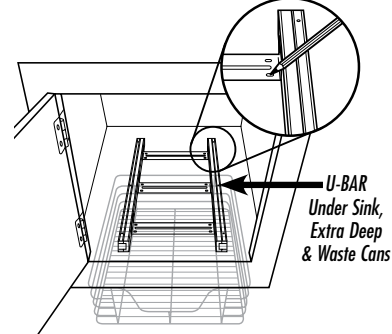
**STEP 2** For Single & 2-Tier Organizers:

Mark the location of the holes in **feet**.



For Extra Deep, Under Sink & Waste Can Organizers:

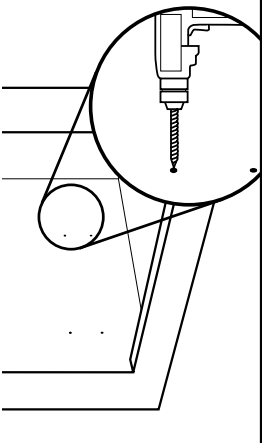
Mark the location of the holes in **U-Bars**.



Slide basket forward to gain better access to brackets & hardware. *If basket catches on cabinet lip, place a metal washer or small thin strip of wood or plastic under front brackets to elevate runner glides.*

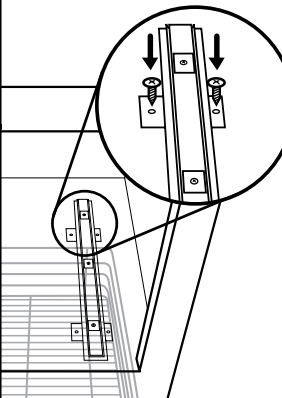
**STEP 3**

Remove organizer from cabinet and drill pilot holes at marked locations in cabinet.



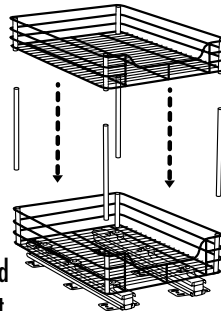
**STEP 4**

Position organizer back into cabinet. Use provided screws to secure glides into pre-drilled holes. *Make sure the organizer slides in and out freely.*



**NOTE FOR C21217, C21417 & C26512**

Top and lower baskets come nested on top of one another. To attach place vertical chrome rods into slots on lower baskets and mount top basket to vertical rods.



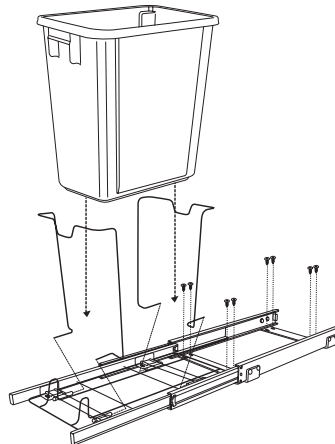
**NOTE FOR C26512**

**UNDER SINK CABINET ORGANIZERS:**

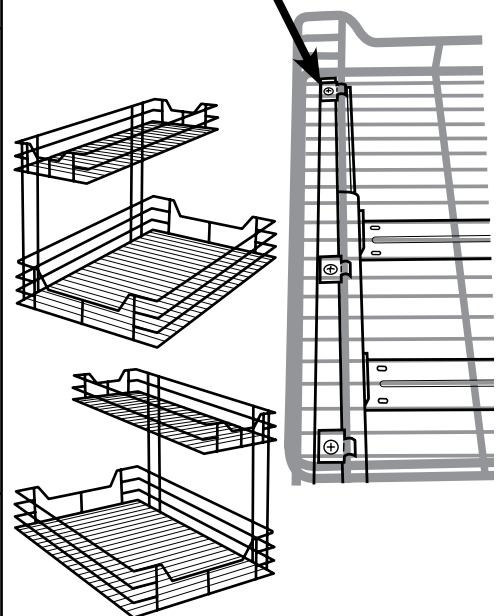
Unit can be reversed—so it can be placed in right or left side of cabinet. *To reverse unit:* Use a screwdriver and wrench to loosen and remove the screws from the nuts that attach the wire basket clips to the glides. Turn unit. Reattach wire clips to glides.

**NOTE FOR C29517, C29521 & C21212**

Insert wire frame sections for wastebasket into slots on base. Place wastebasket into wire frame.



Basket Clips



**TOOLS REQUIRED:**

Phillips head screwdriver & drill.  
Wrench may be needed for C26512.