

# REV·A·SHELF®

## Wood Classics™

## 432 Series Filler Pull-Out Instructions

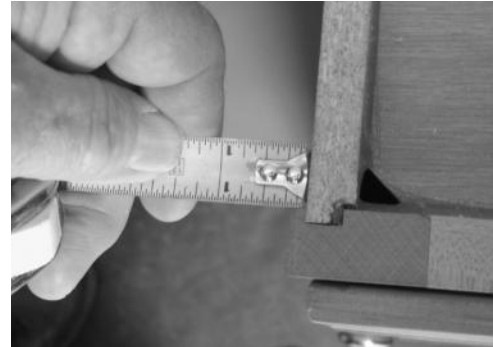
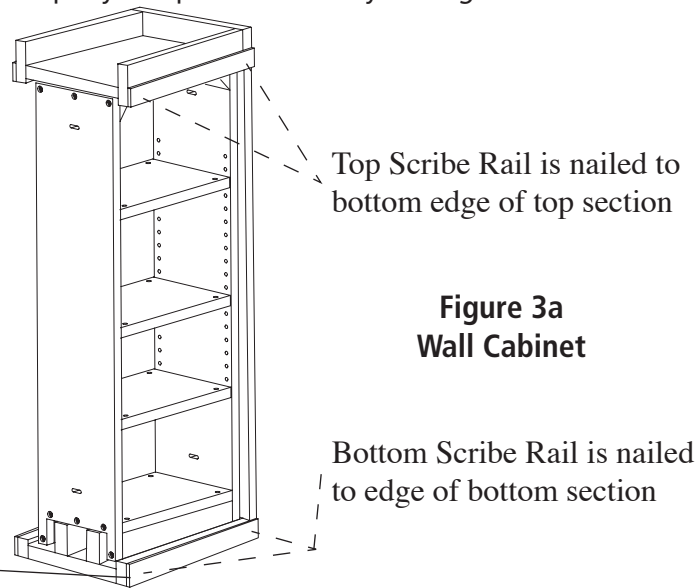


Figure 1

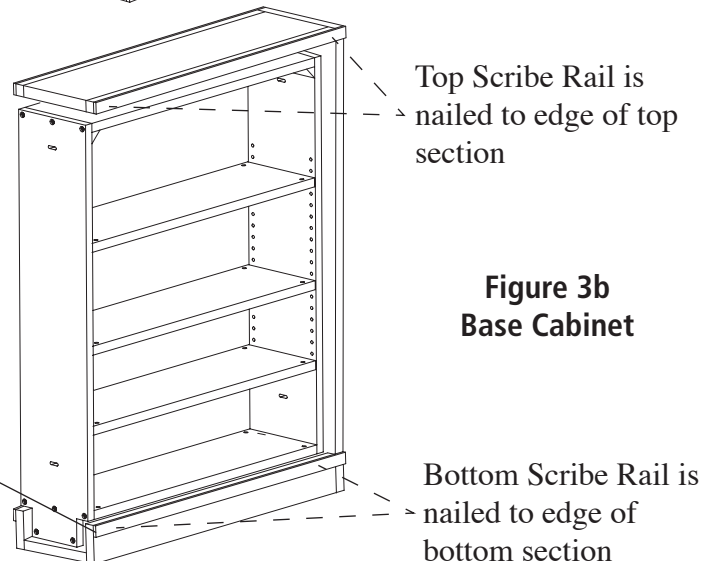
**Step 1.** Measure scribe rail thickness and length per your specific cabinetry. See fig 1



Top Scribe Rail is nailed to bottom edge of top section

Figure 3a  
Wall Cabinet

Bottom Scribe Rail is nailed to edge of bottom section



Top Scribe Rail is nailed to edge of top section

Figure 3b  
Base Cabinet

Bottom Scribe Rail is nailed to edge of bottom section

**Step 2.** Install scribe rails to filler pull-outs using small finish nails or brads. See fig 2

**Note:** align scribe rails with front edge of filler pull-out. Align scribe rail to upper section of base cabinet lower mounting strap or lower section of wall cabinet lower mounting strap. See figs. 3a-b

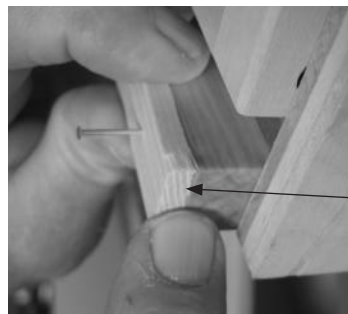


Figure 2

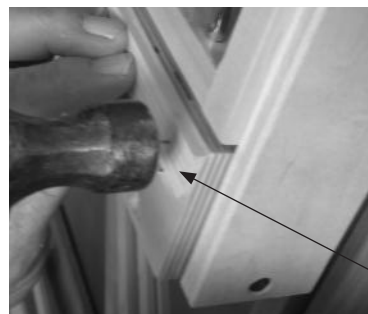


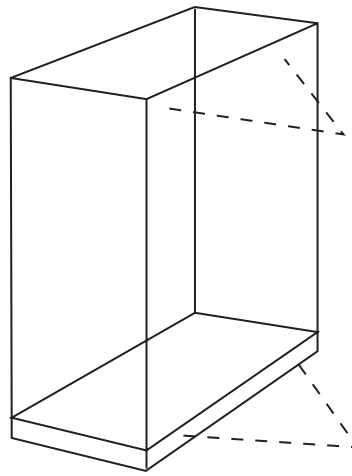


Figure 4a



Figure 4b

**Step 3 (Base Cabinets).** Pre-drill 3/16 inch holes 3/8 inch down from top of cabinet and also 27-3/4" down from top of cabinet. (See fig 4a-d). Repeat with other adjacent cabinet.



From inside the adjacent cabinet screw the 432 cabinet top.

Figure 4d  
Wall Cabinet

Screw 432 cabinet bottom from below adjacent cabinet.

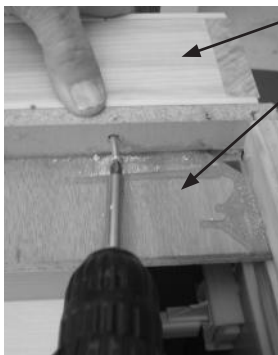


Figure 5a

Filler Cabinet  
Base Cabinet  
Scribe Rail Meets Face  
Frame



Figure 5b

**Step 4.** Mount filler cabinet pull-out to adjacent cabinet 1. See Fig. 5a-b

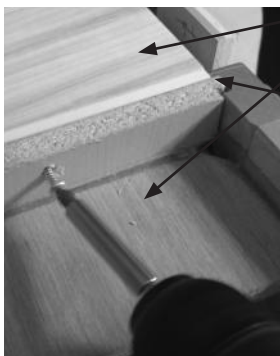


Figure 6

Filler Cabinet  
Base Cabinet  
Scribe Rail Meets Face  
Frame

**Step 5.** Mount filler cabinet pull-out to adjacent cabinet 2. See Fig. 6



Figure 7a



Figure 7b

**Step 6.** Remove front mounting strap. See Fig 7a-b



Figure 8



Figure 9

**Step 7.** Attach face frame and onlays (not provided) See Fig. 8-9



*“Changing the way you think about cabinet organization!”*