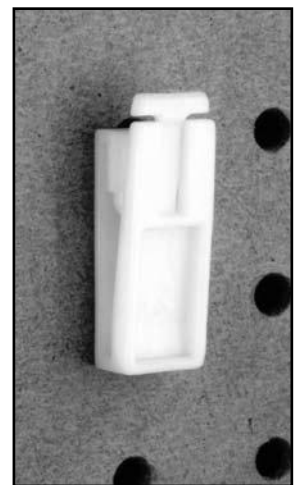
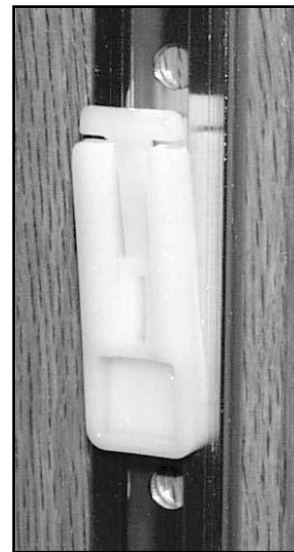


Standard and Various Clips are available for different installation applications.

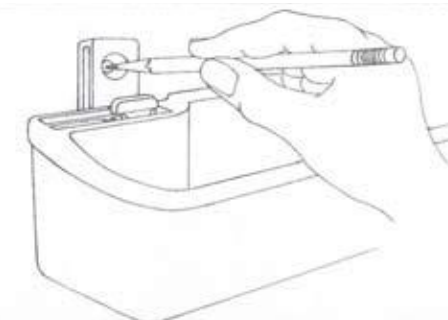


INSTALLATION INSTRUCTIONS FOR DOOR STORAGE UTILITY TRAYS INSTRUCCIONES DE INSTALACIÓN DE BANDEJAS PARA ALMACENAMIENTO EN PUERAS DIRECTIVES D'INSTALLATION DES PANIERS À USTENSILES MONTÉS SUR PORTE

Installation Instructions for Door Storage Utility Trays

Our Toll Free Customer Help Line is available for your product questions during weekday hours: 800-626-1126
TOOLS REQUIRED: (Screw-In Clip Installation Only)
Soft Lead Pencil (For marking screw locations), Drill with $\frac{3}{32}$ " Diameter Drill Bit, #2 Phillips Screwdriver, tape measure and any kind of tape.

Shelves can also be mounted to trimmable 26" or 58" aluminum standards. (sold separately)



STEP 1

Screw-In Clip Installation - Snap one clip into the slot at each end of the tray. Hold the shelf in place and mark the screw locations using the upper holes in each clip. **Note:** Before marking the screw locations, you may want to use a level or tape measure to ensure that the tray is level.



STEP 3

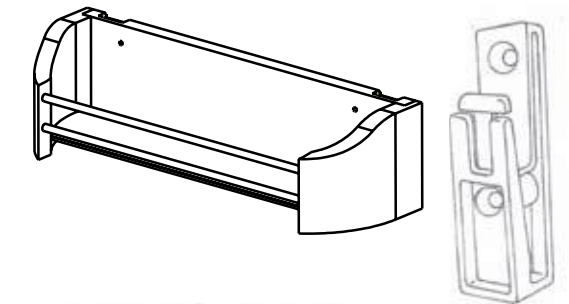
With clips in vertical position, mark bottom hole locations and drill remaining pilot holes (swing clip to allow for drilling). Reposition the clips and securely mount top and bottom of each clip using two (2) $\frac{1}{2}$ " x #6 screws. **Note:** Use plastic screw anchor or #6-32 toggle bolts (available at your local hardware store) when installing Screw-In Clips on wallboard, plaster or very thin material.

06-07

DOOR STORAGE UTILITY TRAYS

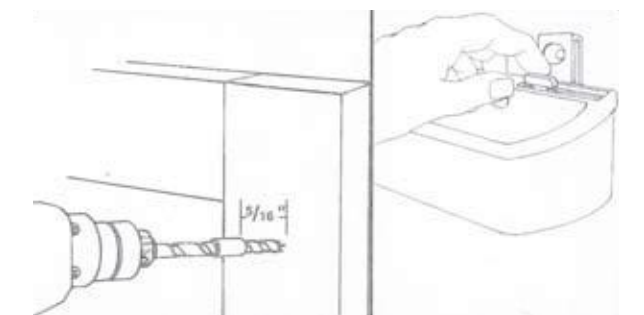
SIZE: 13 $\frac{3}{4}$ " length
19 $\frac{3}{4}$ " length


 $\frac{1}{2}$ " x #6 SCREWS



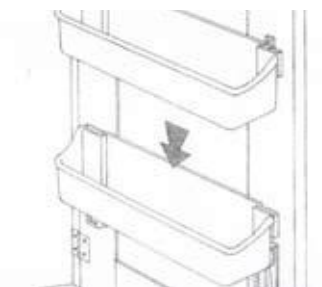
NOTE: Two slots are provided at each end of tray to allow for varied surface locations:

SCREW-IN CLIP



STEP 2

Remove the clips from the tray by disengaging spring hook as shown. Drill pilot holes at locations marked in Steps 1. Wrapping tape $\frac{5}{16}$ " from tip of a $\frac{3}{32}$ " drill bit as shown. (Do not drill deeper than front edge of tape). Mount clips at top holes using two (2) $\frac{1}{2}$ " x #6 screws (do not fasten securely).



STEP 4

Position the tray on the clips and gently press downward to engage spring lock. This completes the installation of your Door Storage Utility Tray. To install second Door Storage Utility Tray simply repeat Steps 1-4.

I-4230-TRI