

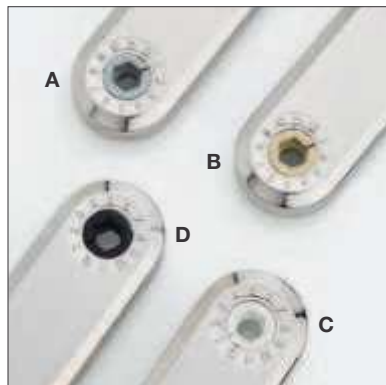
## Heavy Duty Maxi

- For doors made of wood, glass or with aluminum frame
- All common applications for doors and openings can be achieved by changing mounting position and combining Maxi with the appropriate accessories
- Applications include fronts with and without handle, aluminum frame and all-glass fronts, automatic opening to the end position, multi-position stop and easy opening of heavy fronts
- Can be used on one or both sides depending on the size of the door
- Holding power can be adjusted individually to respective flap weight



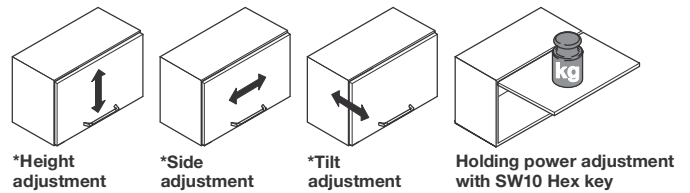
### Finishes

Black, nickel-plated or white



**Overview of finish designation**  
(Adjusting screw) for differentiating the models "A", "B", "C" and "D"

### Front adjustment facility



### Note

\*Depends on the hinges that are installed.

9

## Maxi - Applications

- For handle-free doors



## Push-To-Open for Automatic Complete Opening

- 1 Slight pressure on the front opens the door completely to the end position.
- 2 Application in combination with Salice Push concealed hinges.
- 3 Door is held closed by magnetic door catch and counter plate on the front panel.
- 4 Additional magnets for holding the door closed (optional).

### Maxi - Applications

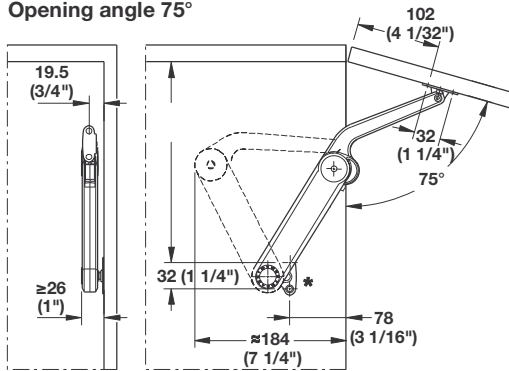
#### Push-to-open for Automatic Complete Opening

##### Note

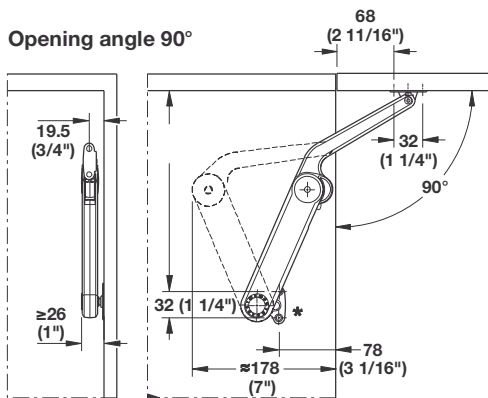
The following dimensions and sample measurement tables must be strictly observed for this kind of application. Two Maxi fittings must be installed for door widths from 600 mm (24") and above. The weight specification applies to one Maxi fitting. When using two Maxi fittings the door weight values double. Application in combination with Salice Push concealed hinges and magnetic door catches. For secure closing of the door use 1x Push magnetic door catch (356.06.401) and (in a certain distance) an additional magnet (356.06.441) each.



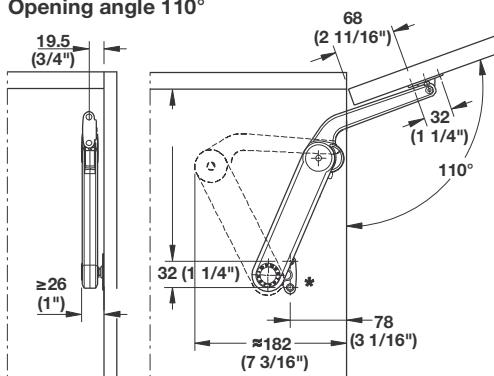
#### Opening angle 75°



#### Opening angle 90°



#### Opening angle 110°



\*Dimensions for Maxi with mounting bracket for 37 mm (1 7/16") edge distance

Door height	Door weight lbs.			
	Model A	Model B	Model C	Model D
For opening angle 75°				
12"	5.2 - 7.2	9.9 - 14.9	12.1 - 20.9	18.9 - 25.9
16"	3.7 - 5	7.9 - 11.6	10.1 - 16.9	13.2 - 22.2
20"	-	5.9 - 10.3	9.4 - 15.4	12.7 - 20.2
24"	-	4.6 - 7.2	6.3 - 11.2	8.5 - 14.5
28"	-	4.6 - 6.6	5.7 - 9.9	7.4 - 12.7
32"	-	-	5.5 - 9.2	7.2 - 12.1
36"	-	-	4.6 - 8.1	6.1 - 10.5
40"	-	-	4.4 - 7.4	5.9 - 9.6
For opening angle 90°				
12"	3.7 - 5.2	6.8 - 10.1	8.3 - 15.4	12.7 - 21.5
16"	-	5.2 - 8.1	6.8 - 12.1	9.2 - 15.6
20"	-	3.5 - 6.3	5.7 - 9.9	7.4 - 12.7
24"	-	3.3 - 5.2	4.6 - 7.9	6.3 - 10.5
28"	-	2.6 - 4.6	3.3 - 7	5.5 - 8.8
32"	-	-	2.8 - 6.3	4.8 - 8.3
36"	-	-	2.4 - 5.7	4.1 - 7.2
40"	-	-	-	3.5 - 6.6
For opening angle 110°				
12"	-	5.9 - 8.8	7.7 - 13.4	11.2 - 17.1
16"	-	3.9 - 6.6	5.9 - 10.1	7.4 - 11
20"	-	3.7 - 5.2	5 - 8.1	6.6 - 10.7
24"	-	3 - 4.6	3.9 - 6.8	5.5 - 9.2
28"	-	-	3.5 - 5.9	4.8 - 7.7
32"	-	-	-	3.9 - 6.8
36"	-	-	-	3 - 6.3
40"	-	-	-	2.6 - 5.7