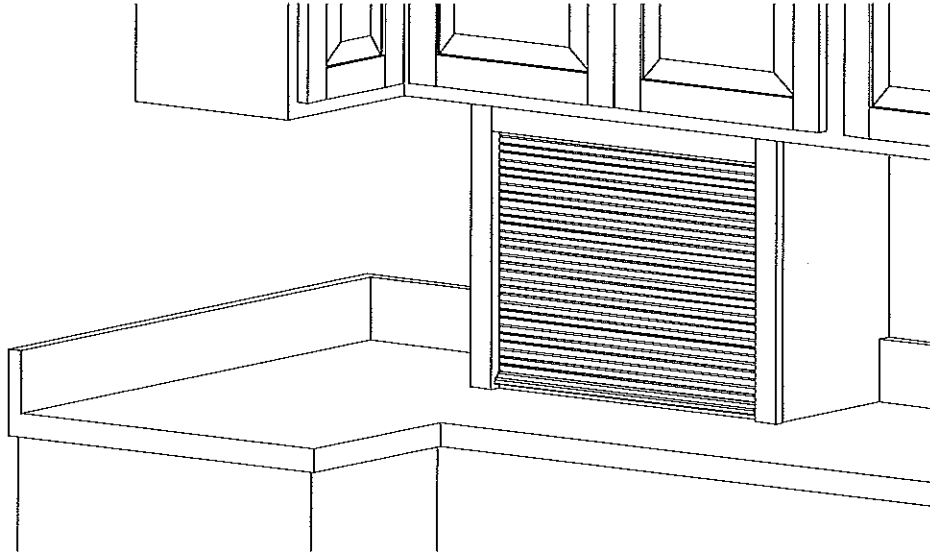




# Omega National P R O D U C T S

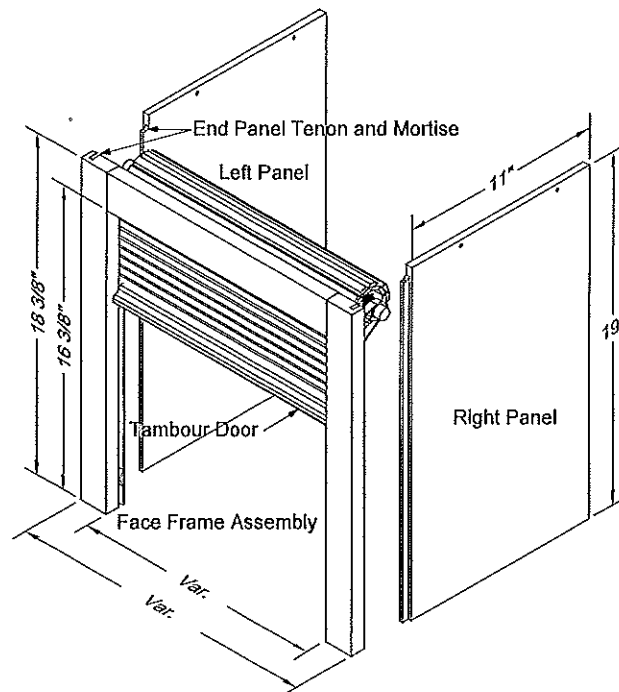
## Straight Appliance Garage



### Important Notes

- Always read the Instructions completely and carefully before beginning assembly.
- Remove and check contents for damage and/or missing parts. Keep the original cartons and packing materials, which are required for any authorized adjustment by our dealers.
- These instructions are for reference only. Make sure installation procedures comply with all applicable building codes in your area.

## Parts



## Quality Features

1. Complete self-contained kit.
2. Solid wood face frame construction.
3. End panels, veneer covered, with mounting cleats.
4. Omega National's quality tambour door.
5. Spring tension track system.
6. Track system and door are PRE MOUNTED.
7. Kit comes sanded, ready to finish.
8. Boxed individually, 12 lbs. per carton.
9. Available in Red Oak, Maple, Hickory, Cherry, & Alder.

## **Assembly Instructions**

### **Checking the Kit for Completeness:**

Your appliance garage should contain the following:

1. One face frame with the tambour door and track system pre mounted and mortised to receive the end panels.
2. One left and one right end panel with a wooden cleat on the bottom edge of each, for securing the panels to the countertop.

Note: Your appliance garage unit is supplied unfinished. It is recommended that you lightly sand and finish as desired prior to installation.

### **Measuring and Cutting End Panels:**

Your appliance garage kit is manufactured with the left and right end panels higher than the face frame. This allows the end panels to fit up under the lip edge of your upper cabinet.

1. Measure the distance between the underside of the upper cabinets to the countertop. This measurement will be the height of the end panels. If the end panel is longer than this measurement, the end panels will have to be cut down to fit. **IMPORTANT:** Cut the end panels from the top edge. This is the edge without the wooden cleat.
2. If the countertop has a back splash, the bottom back edge of each end panel (this is the edge without the tenon) must be cut out to fit this contour. Use a fine-tooth saw for this purpose.
3. Measure the back lip of the underside of your upper cabinets. Cut a notch in the back edge of each end panel to conform to this contour.

### **Measuring and Cutting the Face Frame:**

1. The face frame, with the pre mounted tambour door, is designed to fit flush with the bottom lip of the upper cabinet. The face frame comes with a wood strip stapled to the bottom of the stiles for stability during shipping. This strip is to be removed before installation.
2. Measure the distance between the bottom lip of the upper cabinet and the countertop. This measurement will be the height of the face frame. Cut the stiles on the **BOTTOM EDGE** of the face frame to this measurement using a fine-tooth saw.

### **Setting the Unit in Position:**

1. Place the right and left end panels up under the lip of the upper cabinet. Exact positioning is not important at this time.
2. Position the face frame so that the tenon of the left end panel aligns with the mortise in the face frame and press the joint together. Do the same with the right end panel. Position the face frame under the lip of the upper cabinet and check the alignment of the unit.
3. The end panels are designed to be secured to the countertop by running screws through the wooden cleats and at the top by piloting holes through the end frames and screwing them into the lip of the upper cabinet. (If the lip of the upper cabinet does not align with the end panels, it may be necessary to attach blocks to the underside of the upper cabinets for that purpose). Mark the location of two pilot holes.
4. Mark the location of the anchor holes in the countertop by scribing through the pre drilled holes in the wood cleats.
5. Remove the unit and drill the pilot holes in the countertop and end panels.
6. Place a small bead of wood glue on the tenon edge of the left and right panels. Place them under the lip of the cabinets and press the face frame and end panels together. Use wood screws to attach the unit to the countertop and upper cabinet lip.

