



# INSTALLATION INSTRUCTIONS

SOFT-CLOSE  
MIXER LIFT DAMPENER





# INSTALLATION INSTRUCTIONS

SOFT-CLOSE  
MIXER LIFT DAMPENER

**TOOLS REQUIRED:**

1/2"



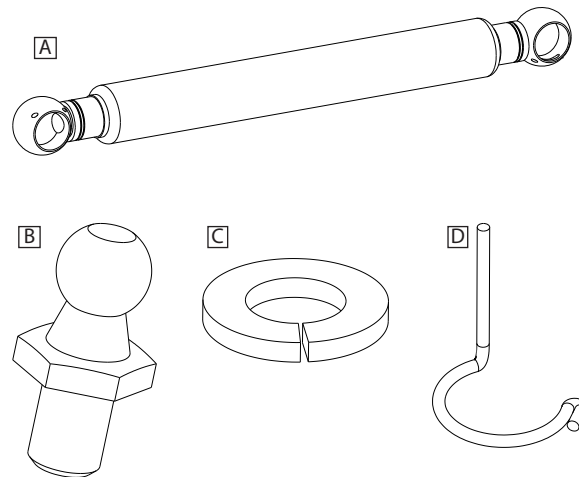
**ESTIMATED ASSEMBLY TIME:**

**15 MIN**

**CARE AND MAINTENANCE:**

**CLEAN WITH A DAMP CLOTH AND WIPE PARTS DRY.**

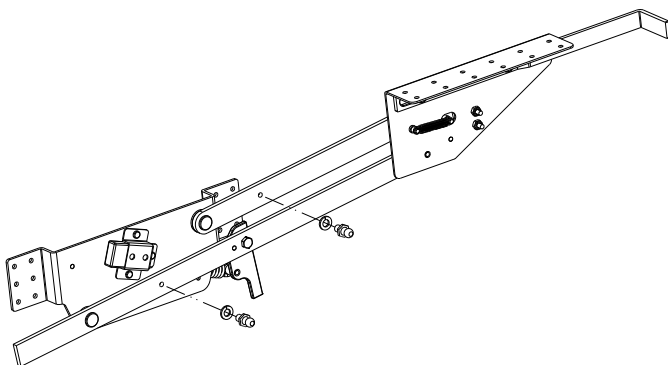
	Description	QTY
A	Dampeners	2
B	Ball Studs	4
C	Lock Washers	4
D	Retaining Clips	4



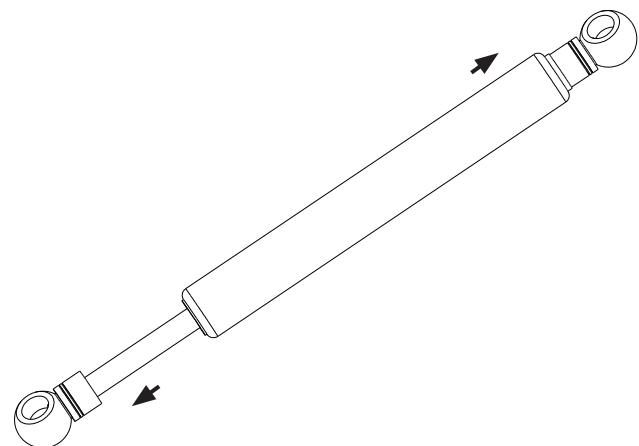
**\*FOR EXISTING MIXER LIFT, GO TO PAGE 3.**

**NOTE: IT IS VERY IMPORTANT THAT YOU FOLLOW THESE DIRECTIONS CAREFULLY. THE FIXED (CYLINDER) END OF THE DAMPENER MUST BE INSTALLED AT THE TOP LOCATION FOR LUBRICATION OF THE DAMPENER TO MAINTAIN PROPER FUNCTION. THE RETAINING CLIPS MUST BE USED FOR SAFE OPERATION OF THE ASSEMBLY.**

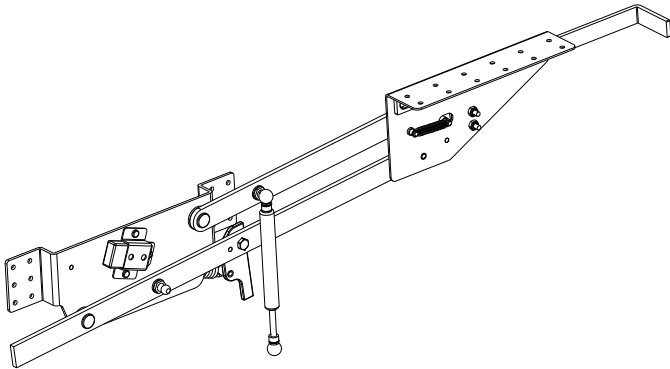
**1)** Put (2) lock washers on the threaded end of (2) ball studs, screw into the arm assembly of the mixer lift and then tighten with a 1/2" wrench.



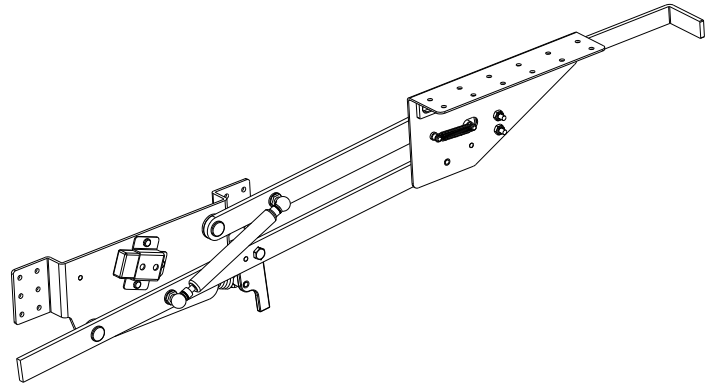
**2)** Pull the ends of the dampener apart about 1/2". (This will be slightly difficult due to the dampening effect of the cylinder.)



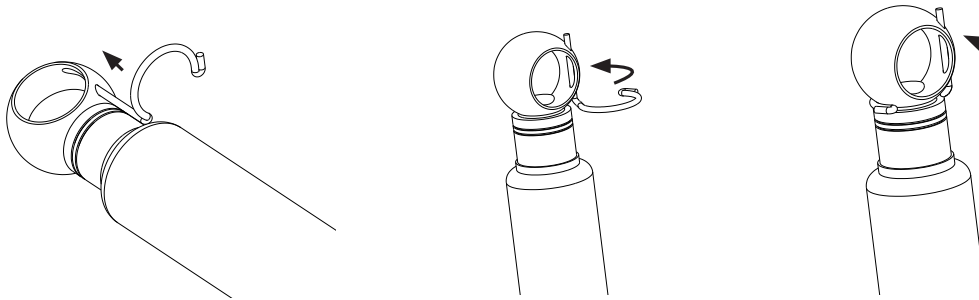
**3)** Insert the fixed (cylinder) end of the dampener onto the top ball stud (on arm with rounded back end) and press until it snaps on.



**4)** Rotate the movable (shaft) end of the dampener to the other ball stud and snap on.



**5)** Insert (2) retaining clips into (2) ball connectors by sliding the tall end into the bottom hole of the connector, pushing it through top hole and rotating to snap on at the bottom of the ball. (If the clip is difficult to go into the hole, you may have to turn the ball connector to center it on the ball stud)



**6)** Repeat steps 1-5 for the other arm assembly.



# INSTALLATION INSTRUCTIONS

SOFT-CLOSE  
MIXER LIFT DAMPENER



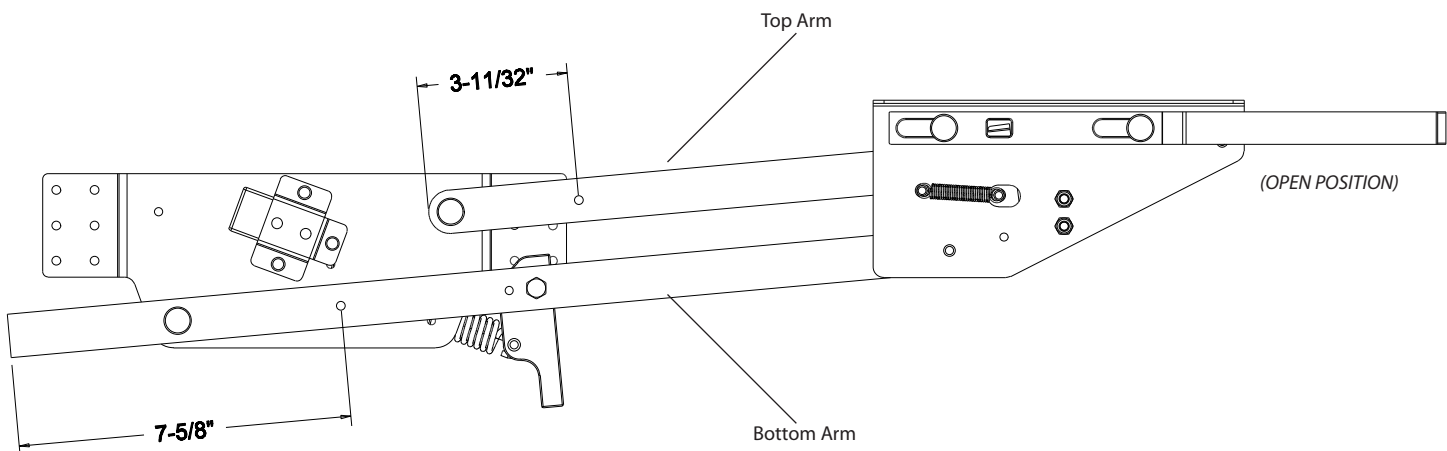
ESTIMATED ASSEMBLY TIME:  
**30 MIN**

CARE AND MAINTENANCE:  
CLEAN WITH A DAMP CLOTH AND WIPE PARTS DRY.

## FOR EXISTING MIXER LIFT

**Warning:** It is recommended that this procedure be done by a skilled machinist. The locations of the holes are critical and the tolerance on their location is  $\pm 1/32"$ . The holes must be tapped exactly perpendicular to the arm.

### DRILL-AND-TAP



To install dampener onto an existing Mixer Lift, you have to drill and tap (2) 5/16\"-18 holes on the arms.

- 1) On the top arm (rounded end), measure 3-11/32\" from bottom and place mark at the center of arm.
- 2) On the bottom arm (flat end), measure 7-5/8\" from bottom and place mark at the center of arm.
- 3) With the unit in the open position, drill 17/64\" diameter hole in the top arm and tap with 5/16\"-18 tap.
- 4) Close the unit and drill 17/64\" diameter hole in the bottom arm and tap with 5/16\"-18 tap.
- 5) Follow steps 1-4 on other arm assembly.
- 6) Follow directions on pages 1-2 to install dampener kit.