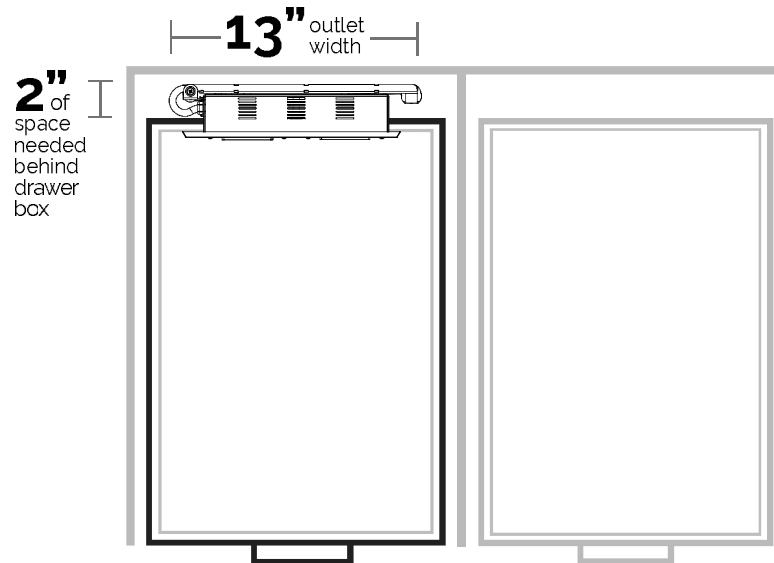
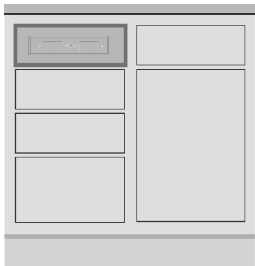


Project Planning Cards by Room

Kitchens

Kitchens Shallow Drawer Project Planning Card

Docking Drawer Blade Series outlets can be specified into the top, often shallow kitchen cabinet drawer to create a dedicated drawer charging station and keep tech devices and cord clutter off of kitchen countertops.



Pro Tip

A Docking Drawer Blade Duo outlets can be center mounted in a 15" (OD) wide drawer box and a Docking Drawer Blade outlets can be center mounted in a 20" (OD) wide drawer box.

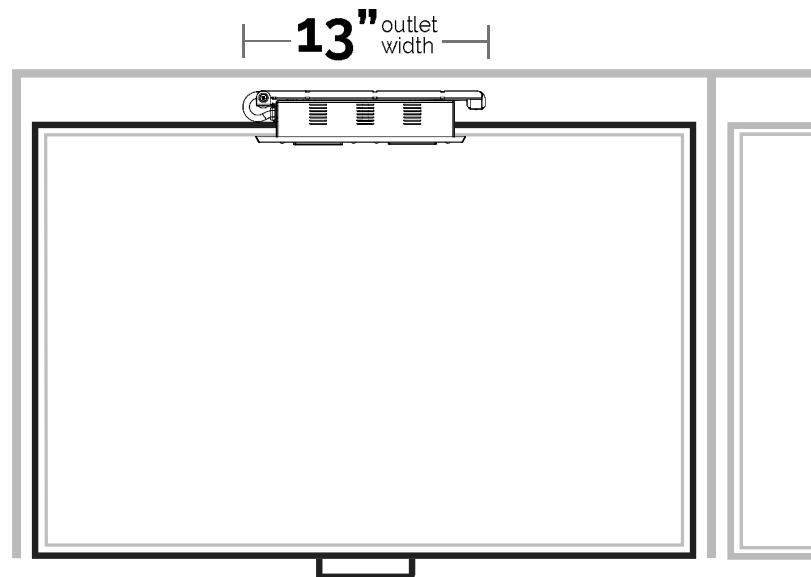
Most Popular Outlet:
1514-232

Kitchens Island Drawer Project Planning Card

Docking Drawer Blade Series outlets can be specified into wide kitchen island drawers to create a dedicated drawer charging station and keep tech devices and cord clutter off of kitchen island surfaces.



2" of space needed behind drawer box



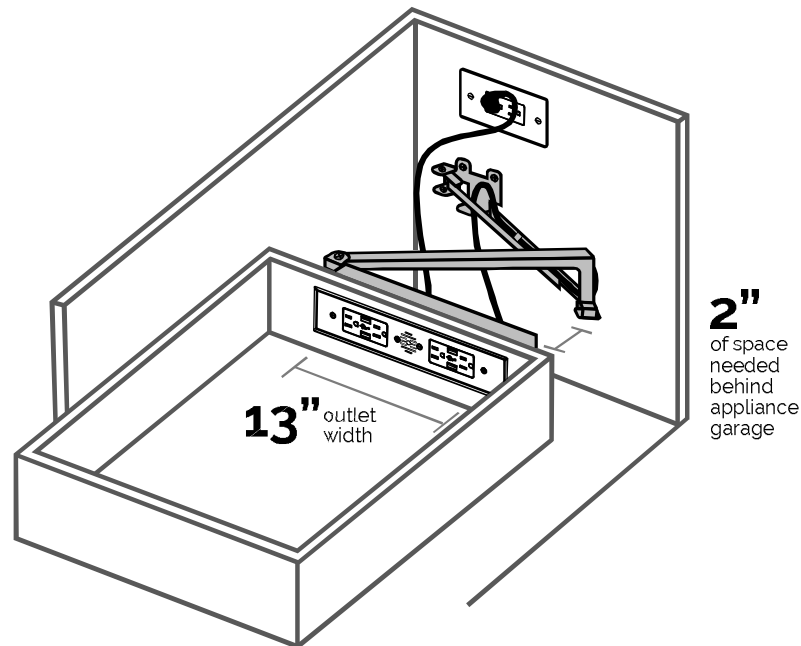
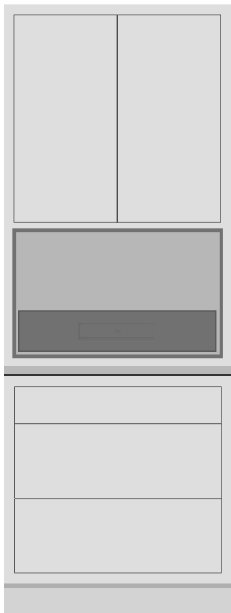
Pro Tip

Large kitchen islands maximize storage by utilizing 24 - 27" deep drawer boxes. To add a Blade Series outlet into this type of drawer, see [Docking Drawer Blade Series Deep Cabinet outlets](#).

Most Popular Outlet:
1514-232

Kitchens Appliance Garage Project Planning Card

Docking Drawer Blade Series outlets can be specified into kitchen cabinet pull outs to create an appliance garage, commonly used to stow and power small kitchen appliances.



Pro Tip

All Docking Drawer Blade Series outlets can be configured with a Safety Interlock Box (available from Docking Drawer and sold separately) which de-energizes the outlet when the drawer starts to close. The Safety Interlock Box is commonly used in Canada and in appliance garage applications.

Most Popular Outlet:
1514-266