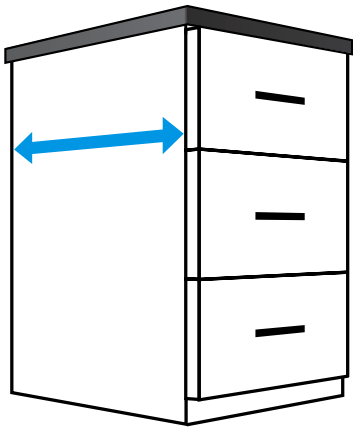


## STEP 1 Measure Your Cabinet

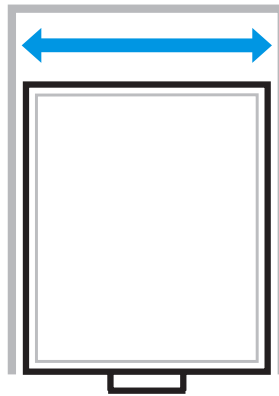
Docking Drawer outlets come in a variety of sizes offering different ranges of extensions. Here is how to find the right sized in-drawer outlet that works for your project:

1



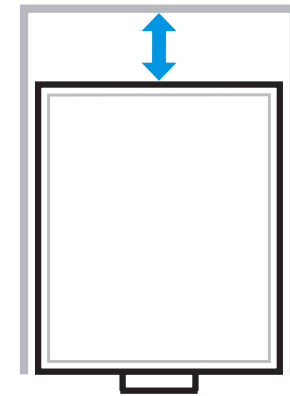
Start your project by measuring the cabinets depth.

2



Measure the width of the space behind drawer box.

3



Then measure the space available behind the drawer box.



Powering outlets are ideal for hair dryers, curling irons, and anything requiring up to 20 amps of current. Outlets feature a UL Listed thermostat that cuts power to the outlet in the event that the surrounding temperature exceeds 120° F.

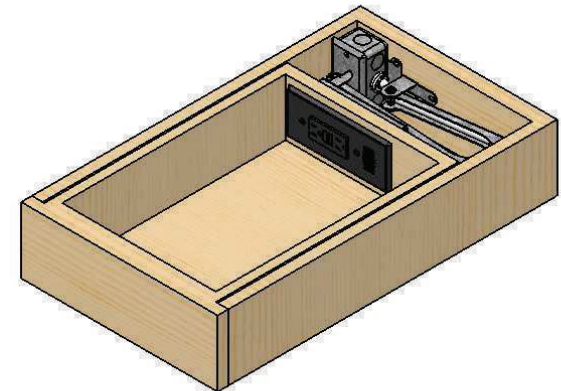
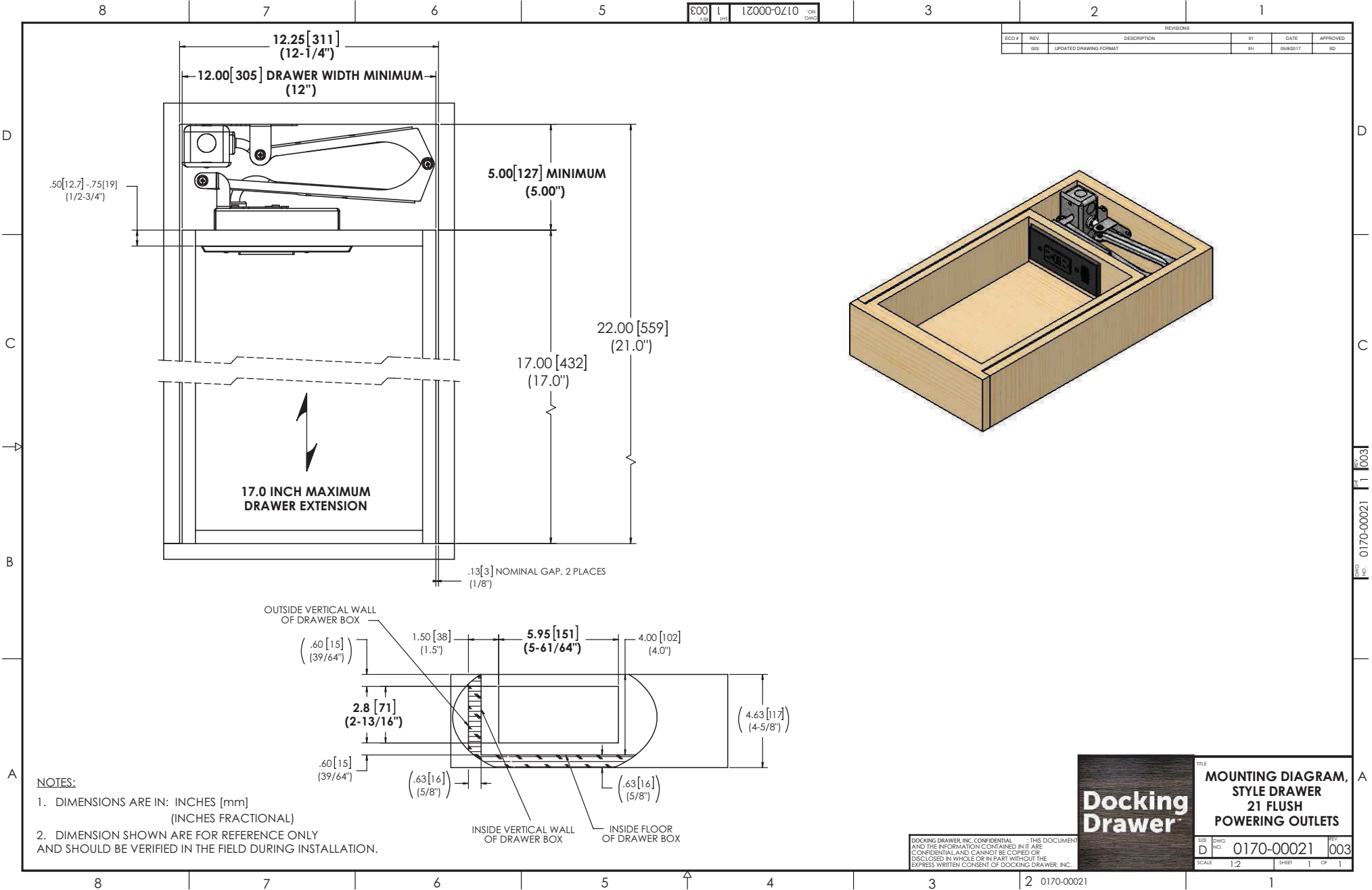
# STYLE DRAWER 21 FLUSH

Hafele Item No. 822.53.019  
 Hafele Item No. 822.53.020  
 Hafele Item No. 822.53.072

Black - 2 AC GFCI  
 White - 2 AC GFCI  
 Stainless Steel - 2 AC GFCI

800 L 1Z000-0Z10 ON DWG

REVISIONS					
ECO #	REV	DESCRIPTION	BY	DATE	APPROVED
003		UPDATED DRAWING FORMAT	BN	05/8/2017	SD



**Docking Drawer™**

**MOUNTING DIAGRAM, STYLE DRAWER 21 FLUSH POWERING OUTLETS**

SIZE DWG NO. 0170-00021 REV 003

SCALE 1:2 SHEET 1 OF 1