



4470D16

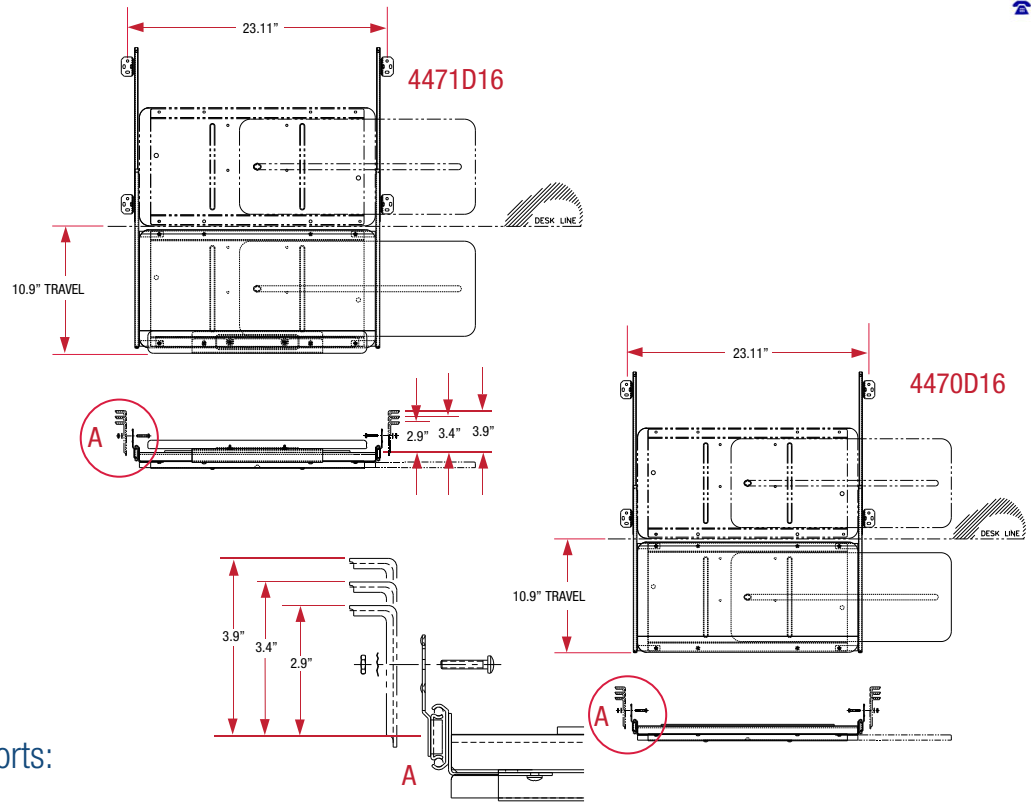
Sliding Keyboard Supports

Adjustable height, ball bearing slides 12" and 16" nominal lengths with 6421D keyboard tray complete with anti-skid mat and a black finish.

4470 series

Features	Benefits
Plastic MDF & steel construction for keyboard	Provides the support you need in a solid durable design
Design accommodates most keyboards	Very versatile, even if you upgrade or change keyboards
Adjustable drop height feature provided on slide brackets	Height adjustments from 2.9" to 3.9" for ergonomic placement of drawer under work surface
Unobtrusive with no bulky platform	An elegant, simple solution

4470

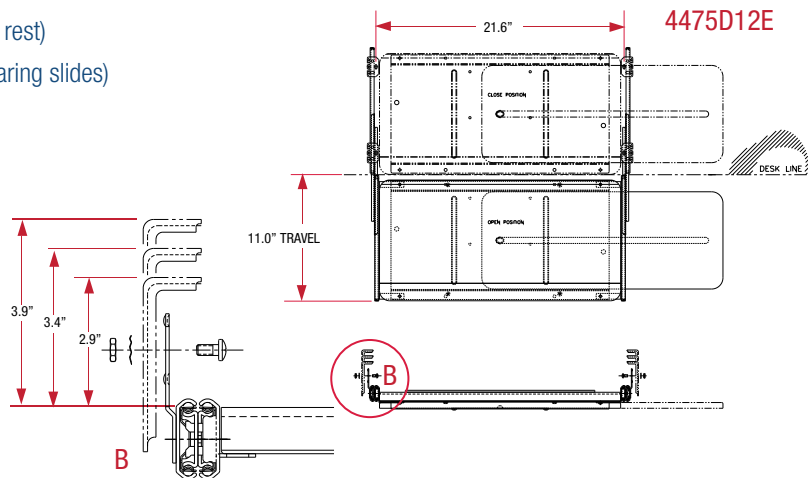


Sliding Keyboard Supports:

4470D16

4471D16 (4470D16 + 6270D wrist rest)

4475D12E (on full extension ball bearing slides)

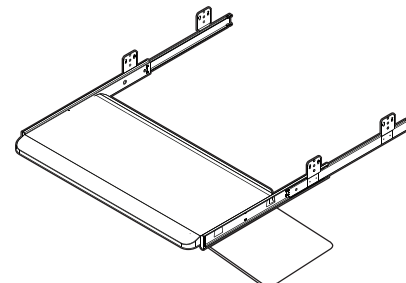


Sliding Keyboard Supports

Ancillary Products:

- Use with Knape & Vogt Waterloo CPU holders
- For flat panel displays, specify the Concerto flat panel support system

Model	Width	Travel	Height	Anti-Skid Mat	Weight
4470D16	23.1"	10.9"	2.9 - 3.9"	included	11.0 lbs
4471D16	23.1"	10.9"	2.9 - 3.9"	included	13.0 lbs
4475D12E	21.6"	11.0"	2.9 - 3.9"	included	11.4 lbs



Finish: Black
Code Compliance: Exceeds ANSI/BIFMA standards

Notes: 1. Weight = packaged shipping weight per unit. 2. Specifications are subject to change without notice.