



5500D17

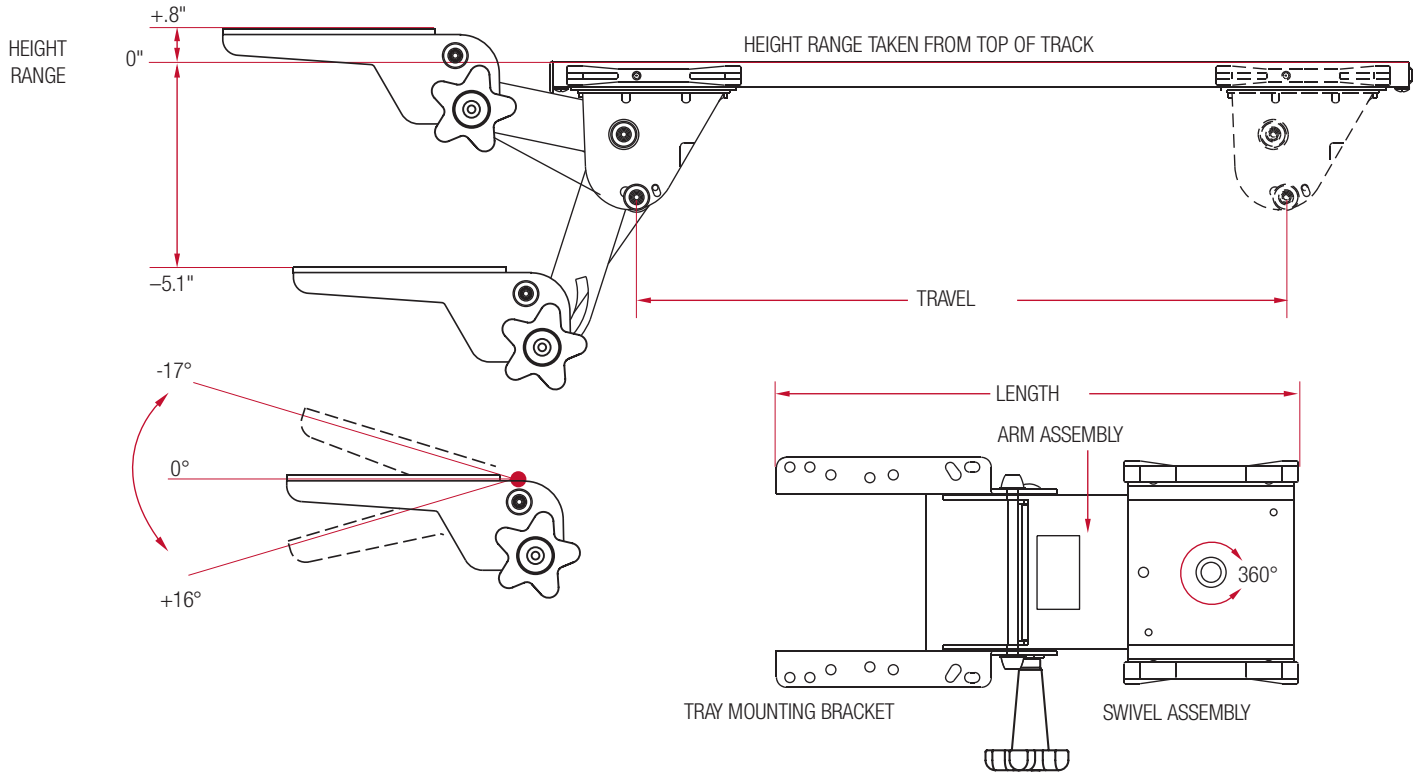
## Encore Arm

### Standard Length

This entry level arm provides most of the features available on our main family of arms but at an economy price point.

### 5500 series

Features	Benefits
Low profile design	Provides maximum leg room
Economy ergonomic keyboard solution	Cost effective price point
Star wheel adjustment knob	Simultaneous height and tilt adjustment
360° swivel	User can move freely from side to side
Meets ANSI/BIFMA standards	Quality assured manufacturing
Stores on plastic glide track	Frees up space in front of desk

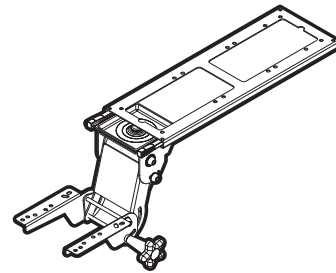


## Encore Arm 5500 series

### Ancillary Products:

- Encore Arm is an ideal complement to most Knap & Vogt Waterloo keyboard trays
- Use with Knap & Vogt Waterloo CPU holders
- For flat panel displays, specify the Concerto flat panel support system

Model	Height Range	Tilt	Length	Travel	Track Size	Track Style	Weight
5500D17	+.8"/-5.1"	+16°/-17°	14.5"	11.9"	17.0"	plastic glide	6.0 lbs



Finish: Black  
Code Compliance: Meets ANSI/BIFMA standards

Notes: 1. Weight = packaged shipping weight per unit. 2. Specifications are subject to change without notice.