

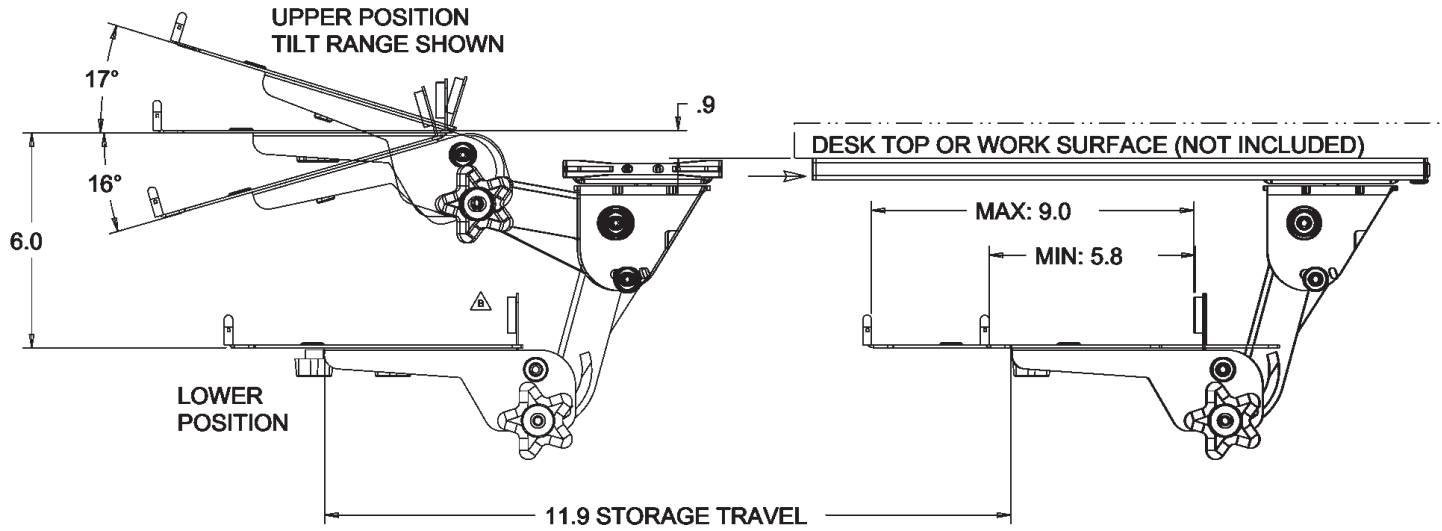
5535D17

5535D17

Encore Arm with keyboard clamp tray

Encore 5 ½" neck keyboard arm with built-in keyboard clamp, providing full adjustability at an economical price point.

Features	Benefits
Low profile design	Provides Maximum leg room
Economical ergonomic keyboard solution	Cost effective price point
Star wheel adjustment knob	Simultaneous height and tilt adjustment
360° of swivel	User can rotate keyboard side-to-side
Built-in keyboard clamp	Clamps keyboard from 5.8" to 9.0 deep
33° of total tray tilt adjustment +16° to -17°	Adjusts for positive and negative tilt angles
Powder coated steel construction	Durable long lasting design
17" Glide track	Full storage with minimal effort
Spring assisted to counterbalance keyboard weight	Smooth height adjustment for precise keyboard placement

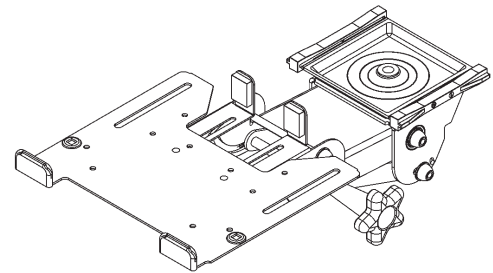


5535D17 Encore Arm with keyboard clamp tray

Ancillary Products:

- Compatible with most Knape & Vogt Waterloo keyboard trays
- Use with Knape & Vogt CPU holders
- For Flat Panel Displays use the KV Concerto or Xtend series of monitor supports

Model	Height Range	Tilt	Travel	Track Size	Track Style	Weight
5535D17	0.9" / -5.1"	+16/-17	11.9"	17"	Glide	7.1 lbs



Finish: Black
Code Compliance: Exceeds ANSI/BIFMA standards

Notes: 1. Weight = packaged shipping weight per unit. 2. Specifications are subject to change without notice.