

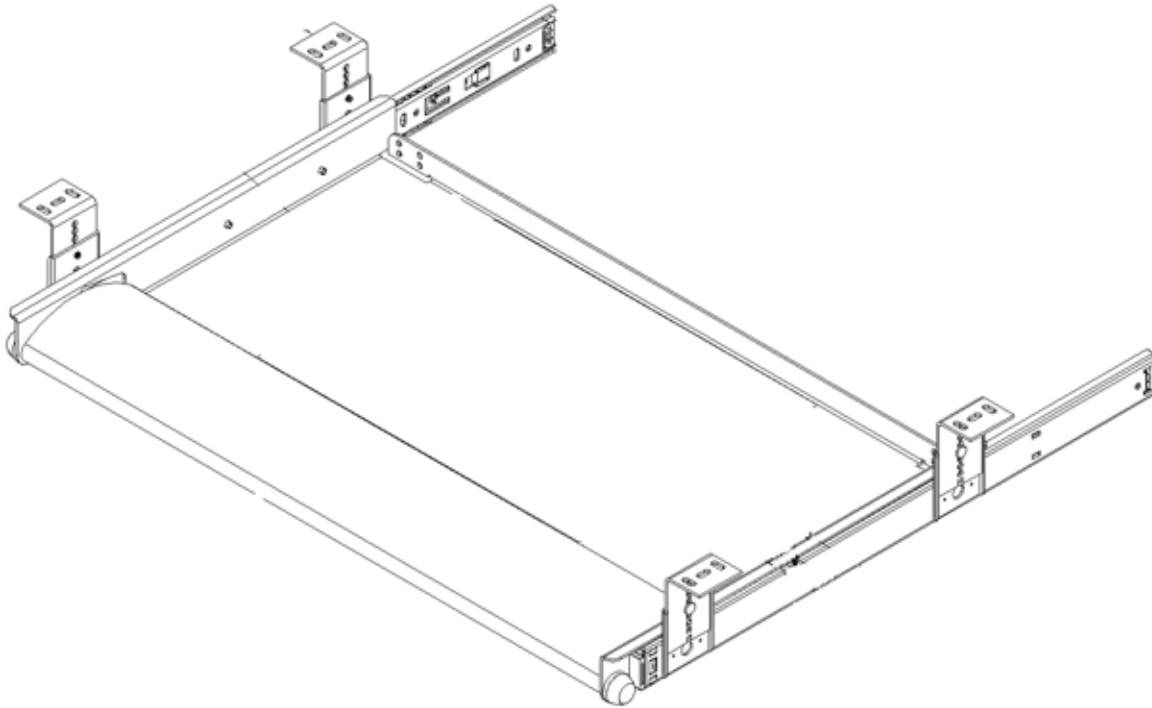


5700 BLK 18

5700 BLK 18

Keyboard Drawer with Adjustable Palm Rest for Keyboard Only Applications.

| Features | Benefits |
|---|---|
| Steel keyboard tray 21.8" wide x 18.0" deep | Large keyboard drawer area supports all keyboard sizes |
| Height adjustable palm rest | Adjustable palm rest for optimal typing comfort |
| Precision Ball Bearing Slides with detent feature | Smooth drawer opening and retraction with hold out feature |
| Adjustable drop height feature provided on slide brackets | Seven height adjustments for ergonomic adjustment of drawer |
| Mounting hardware provided | Quick and easy installation |



Note: Brackets mount in outboard position under work surface for application widths 24" or greater, and in the inboard position for widths less than 24"

5700 BLK 18

Keyboard Drawer with Adjustable Palm Rest

Ancillary Products:

- Use with Knape & Vogt CPU holders
- For flat panel displays, use the KV Concerto or Xtend series of monitor supports

| Model | Keyboard Drawer Width | Keyboard Drawer Depth | Load Rating | Material | Weight |
|---------------|-----------------------|-----------------------|-------------|-----------------------|----------|
| 5700 BLK 18 | 21.8" | 18.0" | 75.0 lbs | Painted Steel (Black) | 12.4 lbs |
| 5700SP BLK 18 | 21.8" | 18.0" | 75.0 lbs | Painted Steel (Black) | 12.4 lbs |



Finish: Black
Code Compliance: Exceeds ANSI/BIFMA standards

Notes: 1. Weight = packaged shipping weight per unit. 2. Specifications are subject to change without notice.