



**KNAPE  
& VOGT.**

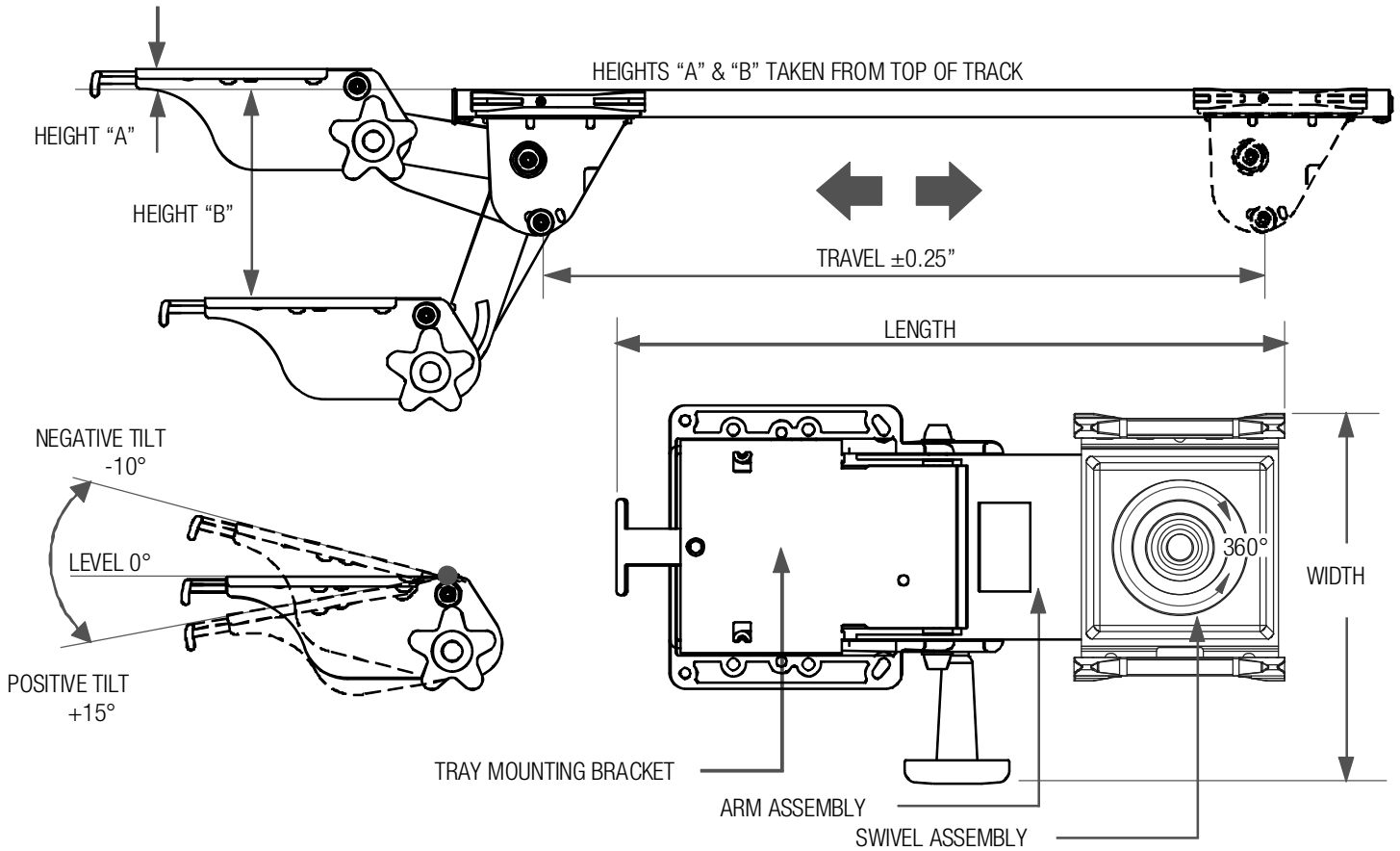


## *Classic Arm*

The 5900 Series keyboard arms are extremely rugged, built to withstand the kind of heavy workouts associated with data entry professionals, commercial users and students. All 5900 arms fully articulate with both independent height and tilt adjustment, allowing users to adjust keyboard in a variety of comfortable positions during the work day. The 5900 Series arms are equipped with a plastic glide storage track.

### *5900 series*

Features	Benefits
Stable, durable design	Ideal for heavy typing use
Knob and lever control releases	Locks the arm during height adjustment
Tilt adjustment latch	Provides adjustment of +15° / -10° tilt
Adjustable extension bracket	Use for corner applications
Meets or exceeds ANSI/BIFMA standards	Quality assured manufacturing
360° swivel	User can move keyboard freely from side to side
Stores on glide track	Frees up space in front of desk

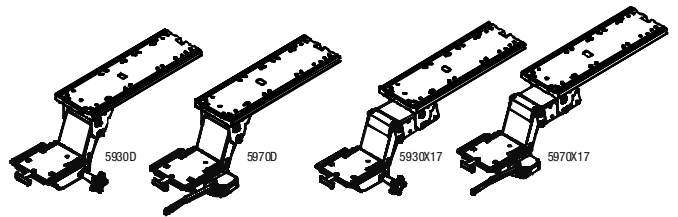


## Classic Arm 5900 series

### Ancillary Products:

- Classic Arm is an ideal complement to the Economy clamp tray and mouse tray
- Compatible with most Knape & Vogt Waterloo keyboard trays
- Use with Knape & Vogt Waterloo CPU holders
- For flat panel displays, specify the Concerto flat panel support system

Model	(A) Height (B)	Width	Length	Travel	Track Size	Track Style	Weight
5930D	0.5" 5.3"	7.9"	13.9"	11.8"	17.00"	Plastic glide	7.9 lbs
5930D21	0.5" 5.3"	7.9"	13.9"	15.8"	21.75"	Plastic glide	8.9 lbs
5930X17	0.5" 5.3"	7.9"	13.9"	N/A	17.00"	Plastic glide	8.2 lbs
5930X21	0.5" 5.3"	7.9"	13.9"	N/A	21.00"	Plastic glide	9.0 lbs
5970D	0.5" 5.5"	7.2"	15.7"	12.0"	17.00"	Plastic glide	8.1 lbs
5970D21	0.5" 5.5"	7.2"	15.7"	16.8"	21.75"	Plastic glide	8.9 lbs
5970X17	0.5" 5.5"	7.2"	15.7"	N/A	17.00"	Plastic glide	8.2 lbs
5970X21	0.5" 5.5"	7.2"	15.7"	N/A	21.00"	Plastic glide	9.0 lbs
5973D	0.5" 5.5"	7.2"	15.7"	12.0"	17.00"	Plastic glide	9.0 lbs



Finish: Black  
 Code Compliance: Exceeds ANSI/BIFMA standards  
 Also available in extended and sit/stand lengths.

Notes: 1. Weight = packaged shipping weight per unit. 2. Specifications are subject to change without notice.

