

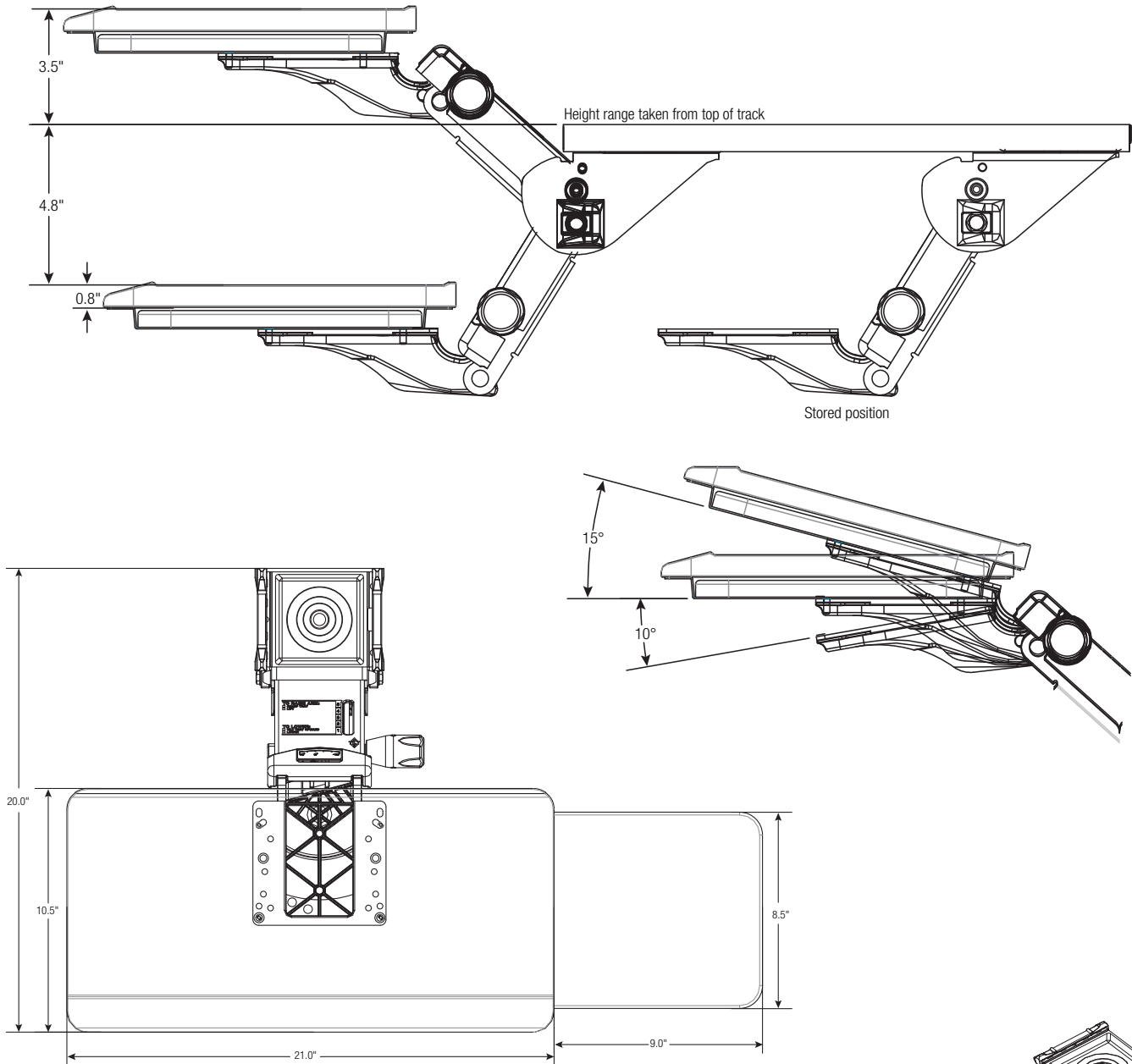


84341701
(8434D17 & 6421D)

84341701

*8434D17 Ovation Arm
 with 6421D Keyboard
 Tray with Slide-Through
 Mousing Surface*

Features	Benefits
Ovation arm with Lift-n-Lock™ height adjustment & Dial Tilt feature for keyboard tray tilt adjustment	Knob-less/lever-less height adjustment with smooth Dial Tilt adjustment for tray tilt
Height and tilt gauges for precise tray placement	Allows ergonomic repeatable user placement
17" glide storage track	Smooth storage under desk surface
21" W x 10.5" D rugged ABS tray assembly with built-in palm rest and anti-slip mat	Ample room for keyboard with built-in palm rest for ergonomic comfort
MDF slide-through mousing surface	Allows for storage and ambidextrous mousing
Comes with all mounting hardware for track and keyboard tray mounting	Easy assembly of product and simple attachment to desk, with basic tools
Rugged construction	Manufactured in the USA. Tested to ANSI/BIFMA Standards.



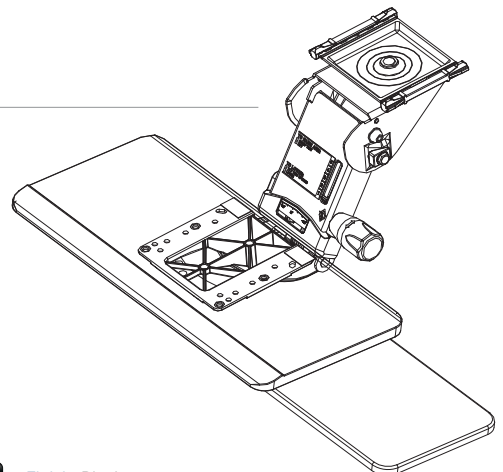
84341701

8434D17 Ovation Arm with 6421D Keyboard Tray with Slide-Through Mousing Surface

Ancillary Products:

- Use with Knap & Vogt CPU Holders
- For Flat Panel Displays use the Knap & Vogt Concerto or Xtend series of monitor supports

Model	Keyboard Tray Width	Keyboard Tray Depth	Height Above Track	Height Below Track	Track Length	Weight
84341701	21.0"	10.5"	3.5"	4.8"	17"	17.0 lbs.



Finish: Black
Code Compliance: Exceeds ANSI/BIFMA standards

Notes: 1. Weight = packaged shipping weight per unit. 2. Specifications are subject to change without notice.