

Sliding Door Hardware - Wood
Barn Door Hardware

Häfele Slido D-Line42 100S

1

Sliding Door Hardware

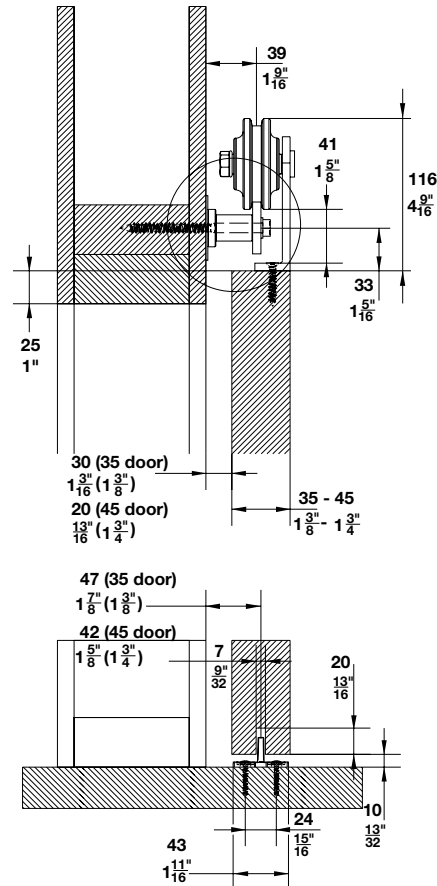
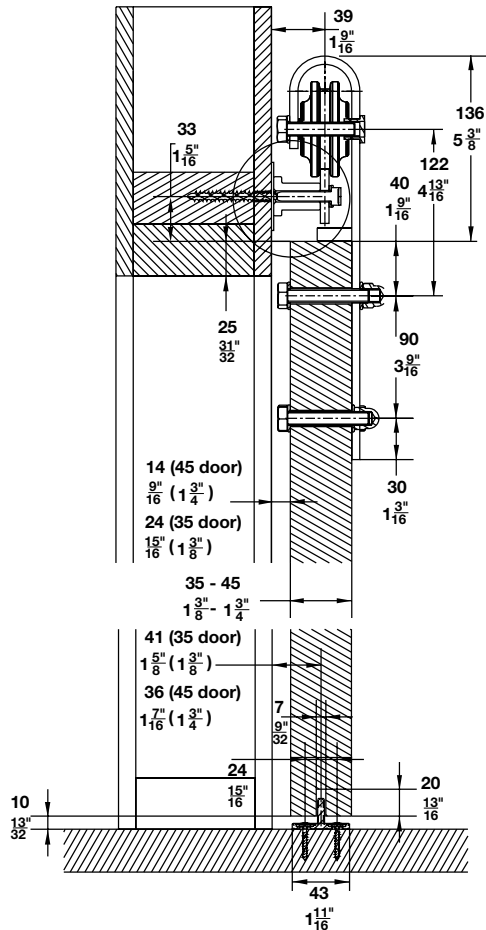
- > For 1 sliding wood door
- > Door weight: max. 100 kg (220 lbs.)
- > Door thickness: 35–45 mm (13/8"–1 3/4")
- > Door widths: with 2 m track: up to 1 m (39 3/8"); with 2.5 m track: up to 1.25 m (49 3/16")
- > Non-height adjustable



With strap-mounted hanger



With top-mounted hanger





Dimensional data not binding. Dimensions in mm, inches are approximate. We reserve the right to alter specifications without notice.

Häfele Slido D-Line42 100S Sets

	Model	Supplied with	Door width	Track length	Material	Finish	Item No.
For 1 sliding door	100S With strap mounted hanger	2 running gears 1 upper track 2 track stoppers (left and right) 1 wall attachment set 2 anti-derail blocks 1 floor guide 1 hex key 1 drill bit	≤1 m (39 3/8")	2 m (78 3/4")	Steel	black	941.32.000
					Stainless Steel	matt	941.32.011
			≤1.25 m (49 3/16")	2.5 m (98 7/16")	Steel	black	941.32.004
					Stainless Steel	matt	941.32.012
	100S With top mounted hanger	2 running gears 1 upper track 2 track stoppers (left and right) 1 wall attachment set 2 anti-derail blocks 1 floor guide 1 hex key 1 drill bit	≤1 m (39 3/8")	2 m (78 3/4")	Steel	black	941.32.007
					Stainless Steel	matt	941.32.013
			≤1.25 m (49 3/16")	2.5 m (98 7/16")	Steel	black	941.32.008
					Stainless Steel	matt	941.32.014

→ **Accessories**

Description		Material	Finish	Capacity	Handing	Item No.
Smuso AD soft close mechanism for Slido D-Line42		Housing: Steel	black powder-coated	40 kg (88 lbs.)	LH	941.32.015
					RH	941.32.016
				80 kg (176 lbs.)	LH	941.32.017
					RH	941.32.018
				100 kg (264 lbs.)	LH	941.32.019
					RH	941.32.020
Splice kit, to combine 2 upper tracks		Steel	black	–	–	941.32.405
		Stainless Steel	matt	–	–	941.32.407

Dimensional data not binding. Dimensions in mm, inches are approximate. We reserve the right to alter specifications without notice.

Other lower guide options	page 1.233
Barn door locks	pages 1.384–1.386
Flush pulls	pages 1.394–1.396
Pull handles	pages 2.3–2.29