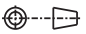
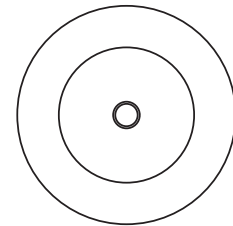
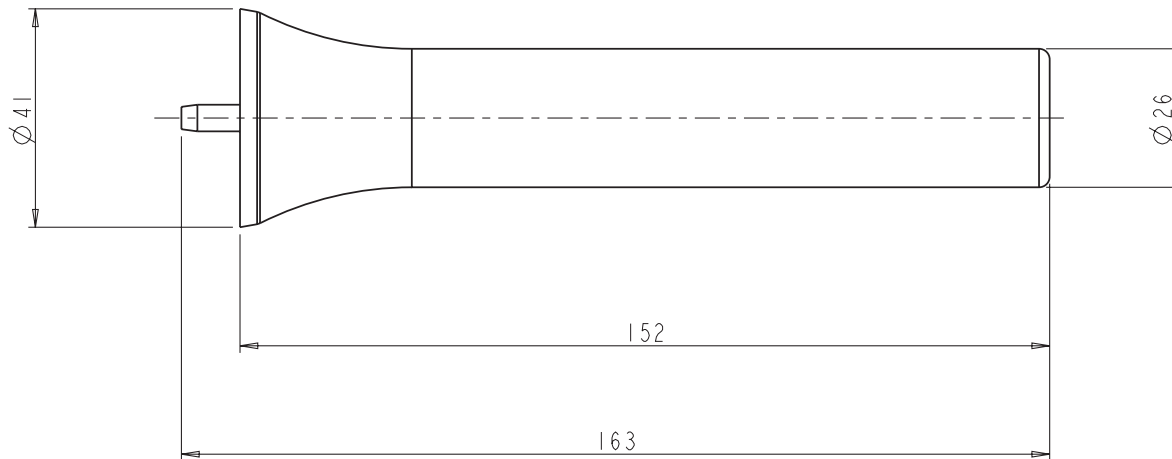

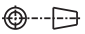
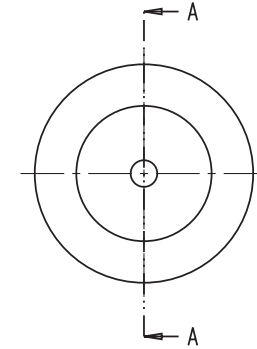
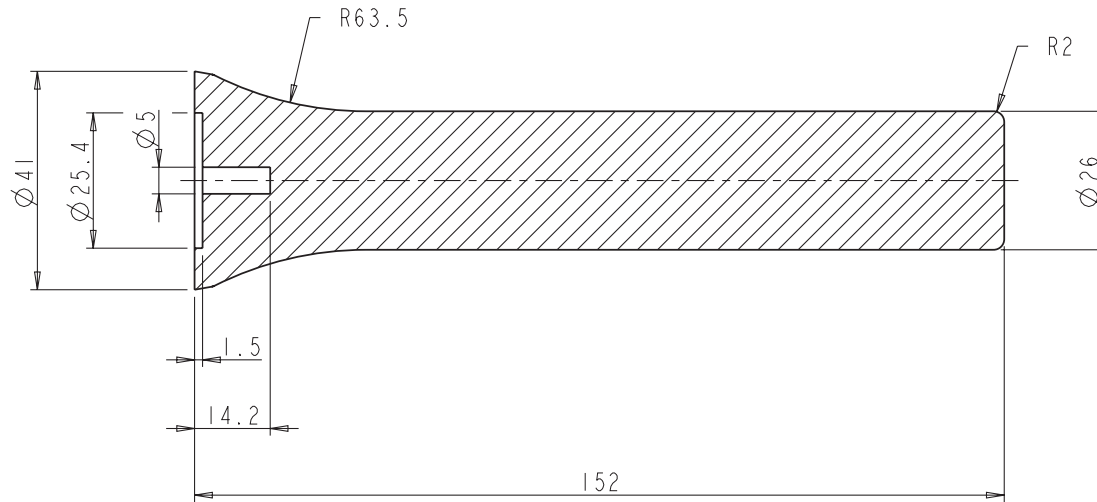
 PROPRIETARY AND CONFIDENTIAL THE INFORMATION CONTAINED IN THIS DRAWING IS THE SOLE PROPERTY OF HARDWARE RESOURCES INC. ANY REPRODUCTION IN PART OR AS A WHOLE WITHOUT THE WRITTEN PERMISSION OF HARDWARE RESOURCES INC. IS PROHIBITED.	ITEM#: _____	MATERIAL: _____	
	FINISH: _____	WEIGHT: _____	
	TOLERANCE UNLESS OTHERWISE SPECIFIED: X ±0.20 XX ±0.10 XXX ±0.05 ANGULAR: ±0.5° DO NOT SCALE DRAWING	UNITS: _____ SIZE: A4 SHEET: 1 OF 4	DRAWN BY: _____ APPROVED BY: _____ RELEASE LEVEL: _____ DATE: _____ DATE: _____ REVISION: _____
	PROJECTION 	9	

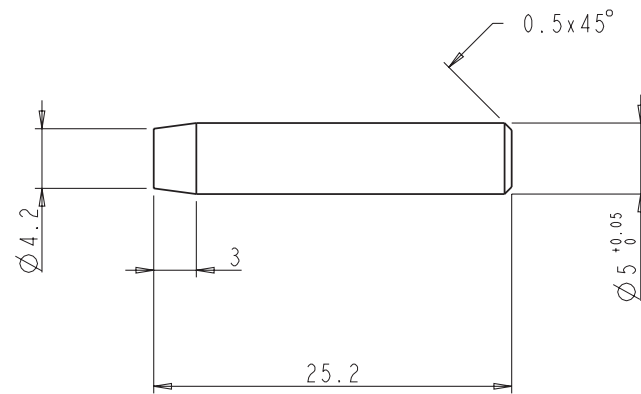


 PROPRIETARY AND CONFIDENTIAL THE INFORMATION CONTAINED IN THIS DRAWING IS THE SOLE PROPERTY OF HARDWARE RESOURCES INC. ANY REPRODUCTION IN PART OR AS A WHOLE WITHOUT THE WRITTEN PERMISSION OF HARDWARE RESOURCES INC. IS PROHIBITED.	ITEM#: PEG		MATERIAL:		
	FINISH:		WEIGHT: 9		
	TOLERANCE UNLESS OTHERWISE SPECIFIED: X ±0.20 X.X ±0.10 X.XX ±0.05 ANGULAR: ±0.5° DO NOT SCALE DRAWING		UNITS: MM SIZE: A4 SHEET: 2 OF 4	DRAWN BY: APPROVED BY: RELEASE LEVEL:	DATE: DATE: REVISION:
	PROJECTION 				



SECTION A-A
SCALE 3:4

<p>hardwareresources</p> <p>PROPRIETARY AND CONFIDENTIAL</p> <p>THE INFORMATION CONTAINED IN THIS DRAWING IS THE SOLE PROPERTY OF HARDWARE RESOURCES INC. ANY REPRODUCTION IN PART OR AS A WHOLE WITHOUT THE WRITTEN PERMISSION OF HARDWARE RESOURCES INC. IS PROHIBITED.</p>	ITEM#: WOOD-PEG	MATERIAL: Wooden Maple
	FINISH:	WEIGHT: 9
	<p>TOLERANCE UNLESS OTHERWISE SPECIFIED:</p> <p>X ±0.20</p> <p>XX ±0.10</p> <p>XXX ±0.05</p> <p>ANGULAR: ±0.5°</p> <p>DO NOT SCALE DRAWING</p>	<p>PROJECTION </p>
	<p>UNITS: MM</p> <p>SIZE: A4</p> <p>SHEET: 3 OF 4</p>	<p>DRAWN BY:</p> <p>APPROVED BY:</p> <p>RELEASE LEVEL:</p>



	ITEM#: P I N		MATERIAL: STEEL		
	FINISH:		WEIGHT: 9		
PROPRIETARY AND CONFIDENTIAL THE INFORMATION CONTAINED IN THIS DRAWING IS THE SOLE PROPERTY OF HARDWARE RESOURCES INC. ANY REPRODUCTION IN PART OR AS A WHOLE WITHOUT THE WRITTEN PERMISSION OF HARDWARE RESOURCES INC. IS PROHIBITED.	TOLERANCE UNLESS OTHERWISE SPECIFIED:		UNITS: MM		
	X ±0.20		DRAWN BY:		
	X.X ±0.10		APPROVED BY:		
	X.XX ±0.05		DATE:		
ANGULAR: ±0.5°		SIZE: A4		DATE:	
DO NOT SCALE DRAWING		SHEET: 4 OF 4		REVISION:	
		RELEASE LEVEL:		DATE:	