

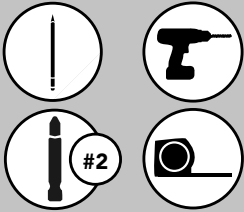
REV-A-SHELF®

Innovation through Organization™

INSTALLATION INSTRUCTIONS

DRAWER PULLOUT

TOOLS REQUIRED:



ESTIMATED ASSEMBLY TIME:

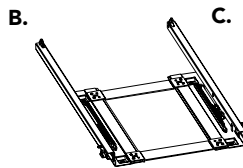
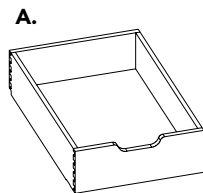
15 MIN

CARE AND MAINTENANCE:

Clean with a damp cloth and wipe parts dry.



Parts List		
No.	Description	Qty
A	Wood Frame	1
B	Slideset	1
C	#8 X 5/8" Truss Head Screw	4
D	#8 X 1" Wood Screw	4
E	Spacer	4



STEP 1

For Frameless or Shelf

Place slide assembly in cabinet, center and set back 1" from front of cabinet to the front of the slide. Install (4) 8 x 5/8" truss head screws into slots. See Fig.1

For Face Frame:

Place the slide assembly in cabinet, center and set back 1" from the front of cabinet. With a pencil, mark the center of the (4) screw holes. See Fig. 1A

Remove the slide assembly and center the (4) spacers on the marks from step one. Place the slideset over the spacers. Install (4) 8 x 1" wood screws into slots. See Fig. 1B & 1C

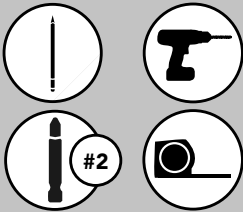


FIG. 1

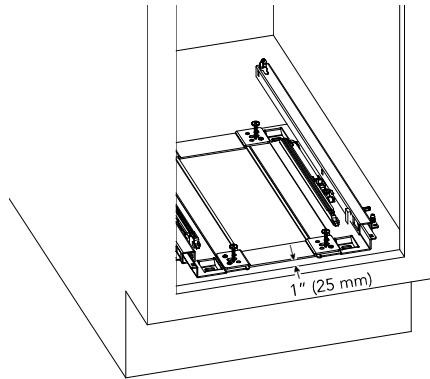


FIG. 1A

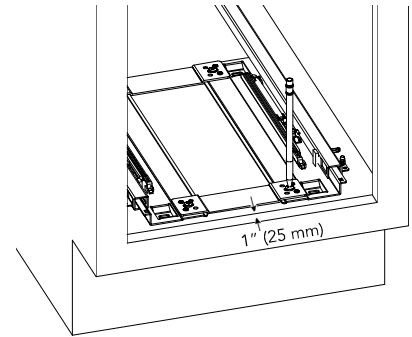
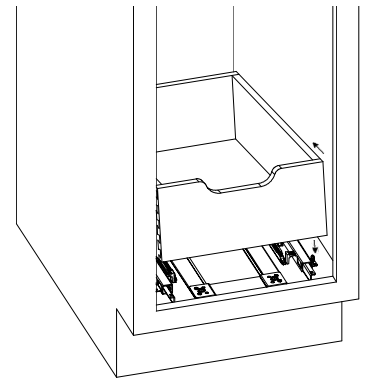
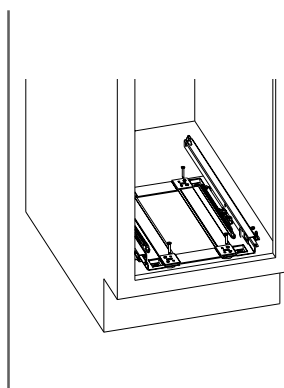
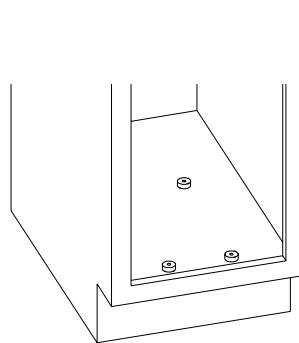


FIG. 1B

FIG. 1C

FIG. 2



STEP 2

Place the back of the frame on top of the slide assembly and push back until the slide hooks engage into the holes on the frame. Rotate down to engage the posts on the front of the slideset to the holes on the bottom of the frame. See Fig. 2

STEP 3

Pull frame out; locate the (2) plastic tabs under frame and press to engage into frame. See Fig. 3

FIG. 3

