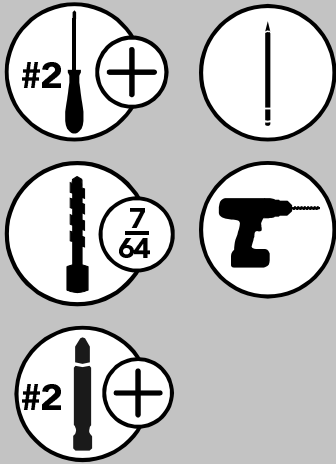


# REV·A·SHELF®

## INSTALLATION INSTRUCTIONS

### MAPLE DRAWER SYSTEM

#### TOOLS REQUIRED:



#### ESTIMATED ASSEMBLY TIME:

**20 MIN**

#### CARE AND MAINTENANCE:

Clean with a damp cloth and wipe parts dry.

#### NOTE:

The maple drawer system is designed to use either BLUMOTION under mount slides or Grass Elite 7523-19/550/533 undermount slides.

4WTCD-30 & 4WTCD-36 with BLUMOTION slides require an additional stabilizer bar which is included in the kit purchase.



**JUST ADD  
YOUR OWN  
DRAWER  
FRONT!**



#### Parts List

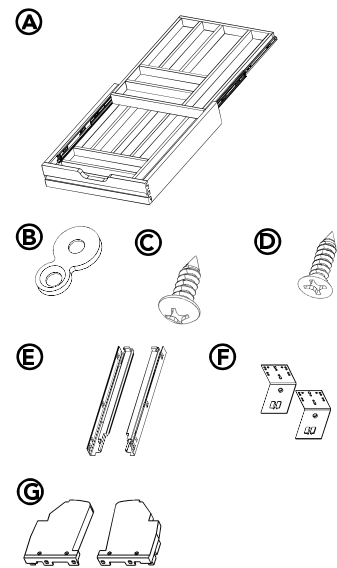
No.	Description	Qty.
A	Drawer Unit	1*
B	Figure 8 Mounting Brackets	2 or 4**
C	#6 x 1/2" Pan Head Screws	4 OR 8***
D	#8 x 5/8" Wood Screws	8 OR 4****
E	Blum SC Slides	2
F	Rear BLUM Brackets (FF only)	2
G	BLUM Release Triggers	2

\*Appearance varies depending on unit purchased

\*\*Depending on unit purchased

\*\*\*4 for frameless cabinets, 8 for face frame

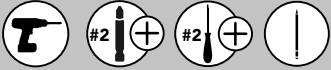
\*\*\*\*8 for frameless cabinets, 4 for face frame



**THE MAPLE DRAWER SYSTEM (4WTCD & 4VDO) IS DESIGNED TO USE UNDER MOUNT FULL-EXTENSION DRAWER HARDWARE ONLY. IF YOU ARE REPLACING A DRAWER BOX THAT DOES NOT CURRENTLY USE FULL-EXTENSION (FX) OR PREMIUM GUIDE (PG) HARDWARE YOU WILL NEED TO ORDER A DRAWER GUIDE KIT (DGK).**

**STEP 1**

Use a pencil to trace around the bottom two corners of the drawer onto the back of the drawer front. Remove the existing drawer front and set aside. Remove existing drawer box and slides from cabinet and discard if desired.

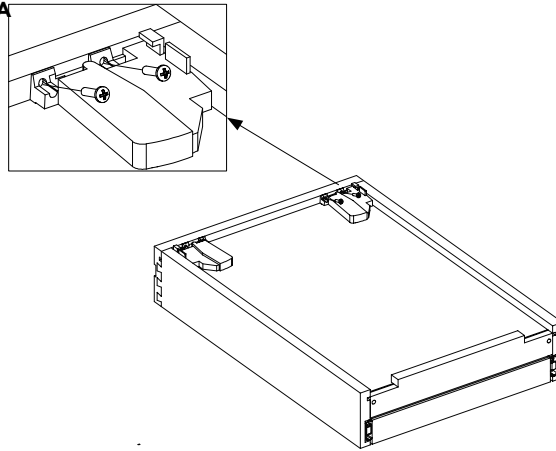


**STEP 2**

Install the right and left Blum release triggers on the bottom of the drawer using (4) #6 x 1/2" pan head screws (See Figure A).



**FIG. A**



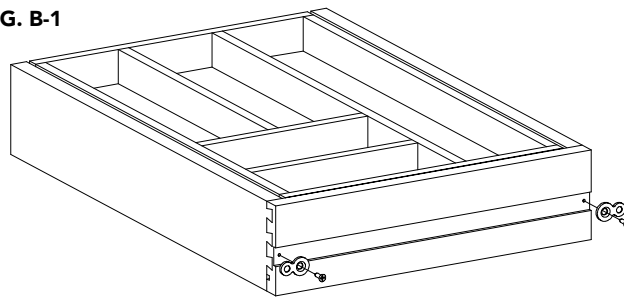
**STEP 3**

Install the figure 8 brackets onto the front of the drawer using the screws that come inside the same bag as the figure 8 brackets (See Figure B-1).

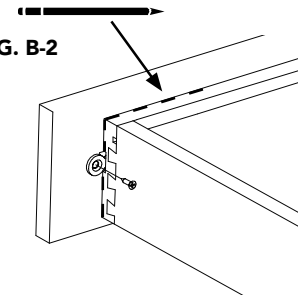
Once the figure 8 brackets have been secured to the drawer box, attach the drawer front.

Drill a 7/64" wide X 3/8" deep pilot hole through the middle of each bracket and into the back of the drawer front. **Be careful to not drill through the drawer front.** Secure the drawer box to the drawer front using the figure 8 brackets and screws provided in the pack (See Fig. B-3).

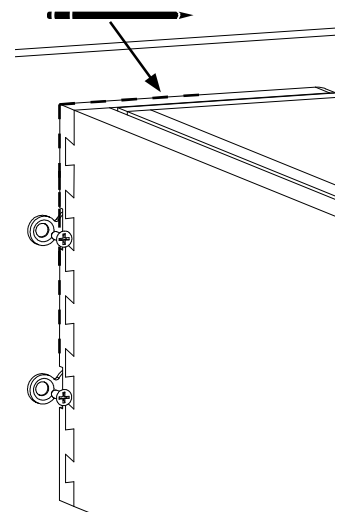
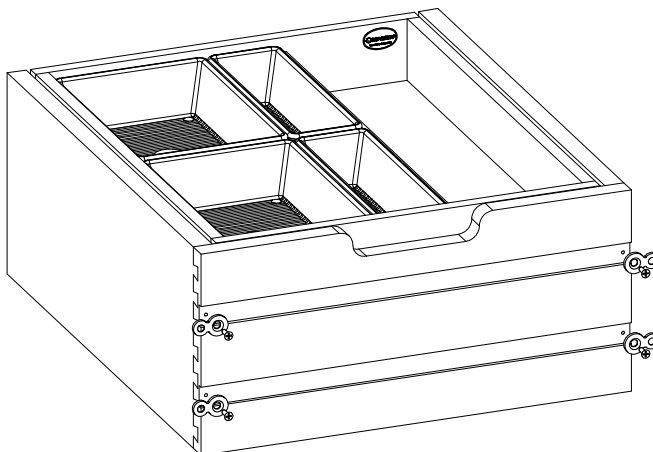
**FIG. B-1**



**FIG. B-2**



Single and double drawer units both shown



**STEP 4**

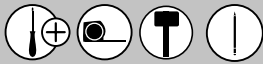
If you have 30" or 36" combination drawer box, either face frame or frameless, refer to the Blum lateral stabilizer bar instruction sheet included in the stabilizer bar kit.

**STEP 5**

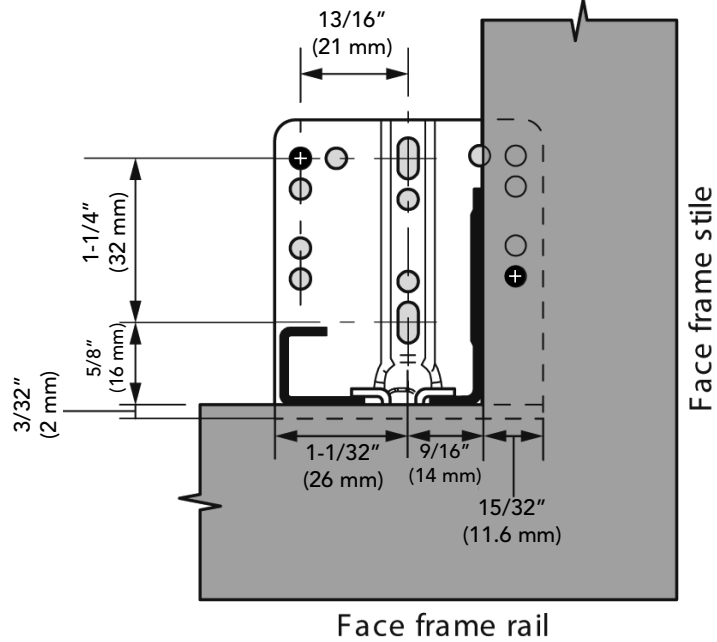
**Face frame only:**

Attach the rear Blum brackets on the back of the cabinet using (2) #8 x 5/8" wood screws for each bracket.

**Note: Place (1) screw in one of the top row corners and (1) screw in the bottom row corners on the opposite side (See Figure D).**



**FIG. C**



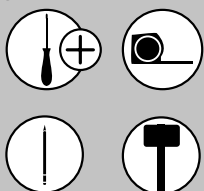
**STEP 6**

**Face frame:**

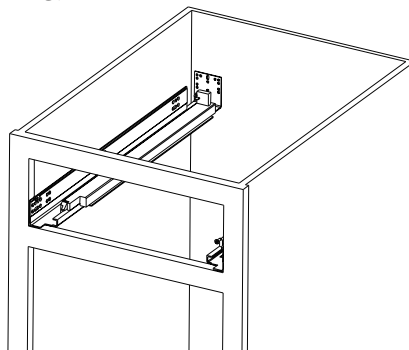
Make sure both slides are set back 1/8" from the edge of the face frame while being supported by their rear brackets. Attach both slides to the face frame by using (2) #6 x 1/2" for each slide (See Fig D-1 & D-2).

**Frameless:**

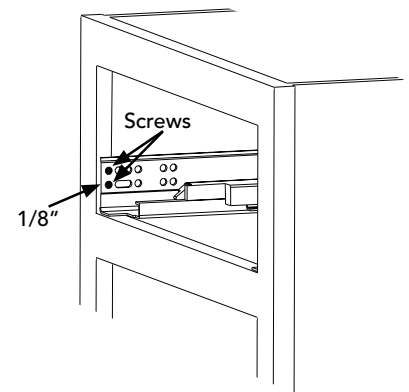
Attach both the left and right Blum slides to the frameless cabinet using (3) #8 x 5/8" wood screws for each side. Make sure the front of the slide is set back 1/8" from the front edge of the cabinet (See Fig E-1 & E-2).



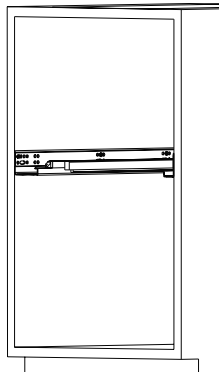
**FIG. D-1**



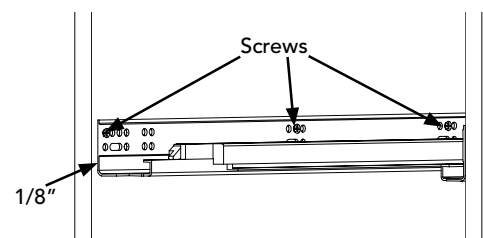
**FIG. D-2**



**FIG. E-1**



**FIG. E-2**



**STEP 7**

Slide the drawer onto the slides, lock the slides onto the triggers. You will hear a "click" when the drawer box is fully engaged. You may need to squeeze the trigger releases and push back to ensure the hardware is engaged. Fully open and close the drawer several times to test functionality.

The drawer box can be removed by squeezing the arms on the release triggers and pulling forward.

**FIG. F**

