

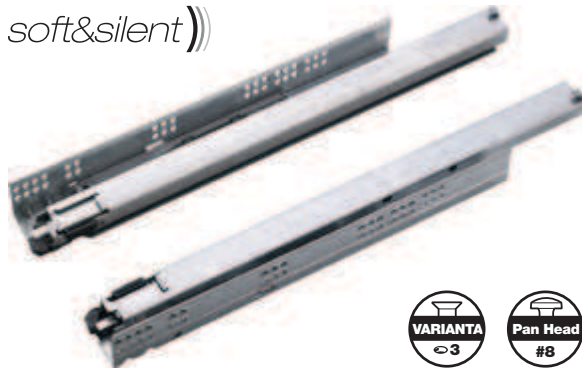
Grass Full Extension – Heavy Duty 3D

Weight capacity: 60 kg (132 lbs.)

- Frameless application
- Integrated Soft Close liquid dampening provides the lowest possible resistance when opening
- Features side to side, height and tilt adjustment for perfect drawer alignment
- Fully synchronized runner for the ultimate in smooth silent operation
- Slide-on mounting
- Continuous self-locking of drawer when pushed onto the drawer
- Tool-less integrated height adjustment +3.5 mm (9/64")
- Tool-less adjustment adapter for side adjustment ±1.5 mm (1/16"), and tilt adjustment +4 mm (11/64")



soft&silent)))



Dynapro 16 3D

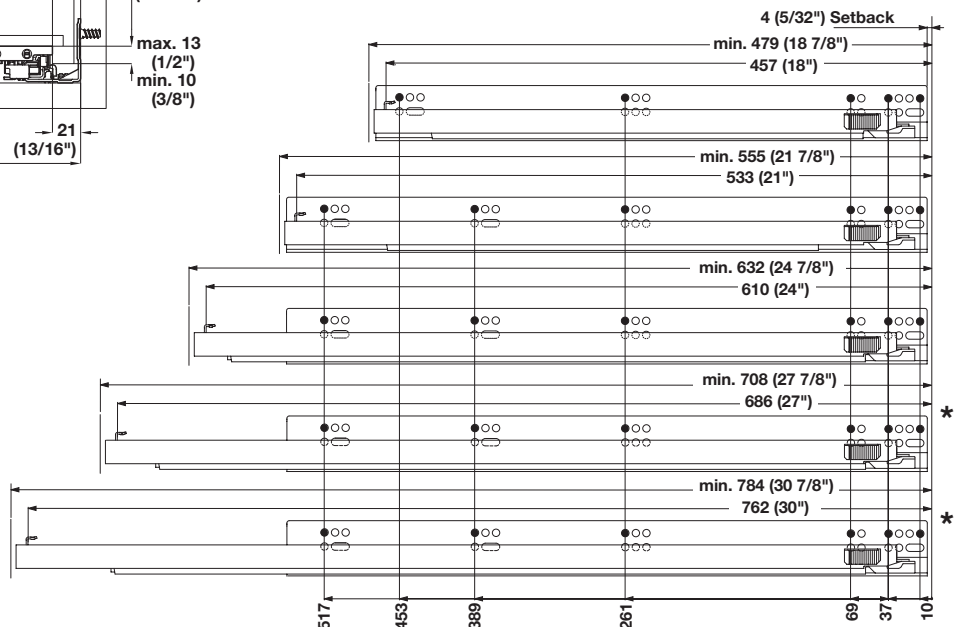
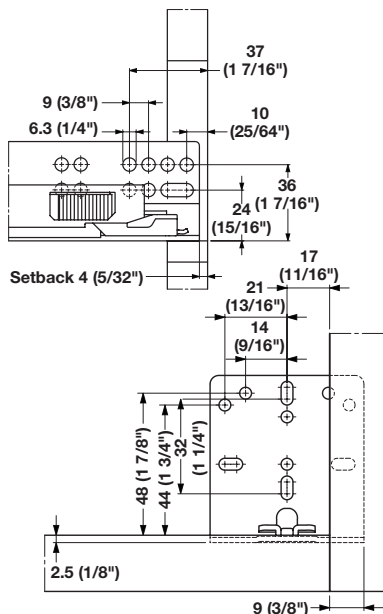
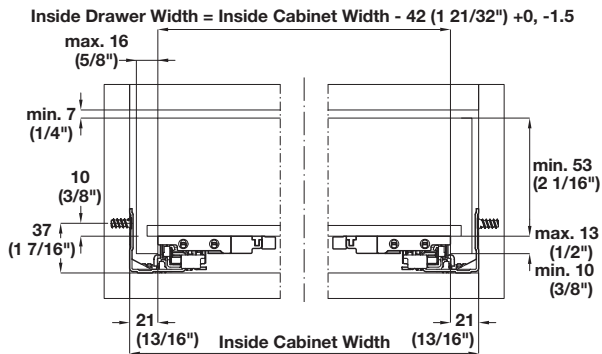
Material: Steel; Finish: zinc-plated

Drawer Length	Min. Installation Depth	Item No.
457 (18")	479 (18 7/8")	433.20.448
533 (21")	555 (21 7/8")	433.20.456
610 (24")	632 (24 7/8")	433.20.464
686 (27")	708 (27 7/8")	433.20.471
762 (30")	784 (30 7/8")	433.20.479

Note

Requires R/L front locking device and R/L rear adjustment adapter.

8



*110 lbs. (50 kg) weight capacity for extended lengths

Pan head screws	pages 11.134-11.135
Varianta screws	page 11.142
Locking devices and rear adjustment bracket	page 8.37

Dimensional data not binding. We reserve the right to alter specifications without notice.

Dimensions in mm
 Inches are approximate