

300FU Series

200 lb Extra Heavy Duty Full Extension Side Mount
Ball Bearing Slides

Installation Instructions

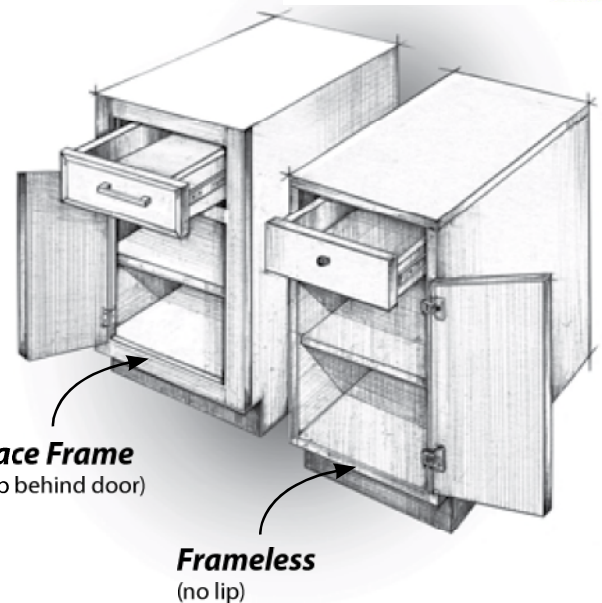


Parts Included:

2 pcs Drawer slides
16 pcs Installation screws

Tools Required:

Pencil
Phillips Screwdriver
Drill with 1/8" drill bit
Level
Tape Measure



Cabinet & Drawer Requirements:

Side Clearance:

Measure the width of the opening and the width of the drawer box. **Opening – Drawer = 1" to 1-1/16"**

7/32" to 1/2" of clearance between the width of the cabinet space and the drawer per slide is required for installation.

! If the drawer box is not within these parameters, the drawer slide will not function correctly.

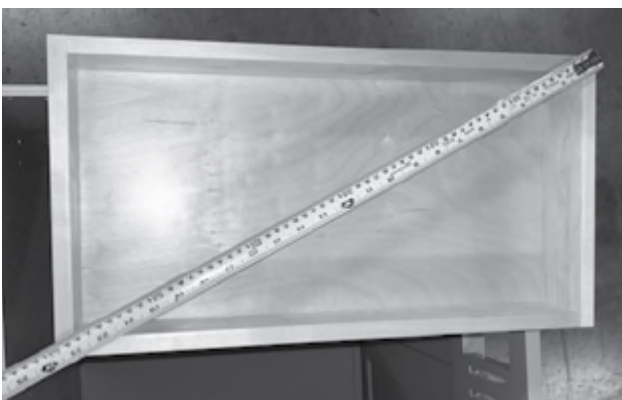


Cabinet and Drawer Measurements:

Ensure that the cabinet and drawer are both square by measuring the distance from the front of each side to the back of the opposite side of both the cabinet and drawer.

The maximum difference is 1/16"

! If the difference is greater than 1/16" the slide will not work correctly.



Frameless Cabinets

Install slide in cabinet

1. Separate the cabinet and drawer member of the slide by pressing the non-handed tripper disconnect release then pulling the two members apart.
 - ! Take note of how the slides are oriented, which will be necessary when reassembling the slide.
 - ! The section with the Star shaped hole is the drawer member and the section with the two sliding pieces is the cabinet member.



2. Measure from the top of the cabinet to the desired drawer location. Draw a level line on the inside of the cabinet where the top of the cabinet member will mount.



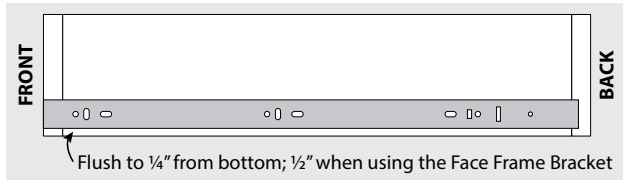
3. Use the line and a level to position the cabinet member to the side of the cabinet ensuring that the front of the member is flush with the front of the cabinet.



Install slide to drawer

- Mount the drawer members to the drawer box sides flush with the front edge and between 1/4" and 1/2" from bottom edge depending on drawer height.

! Ensure the drawer members are parallel and level for optimal performance.

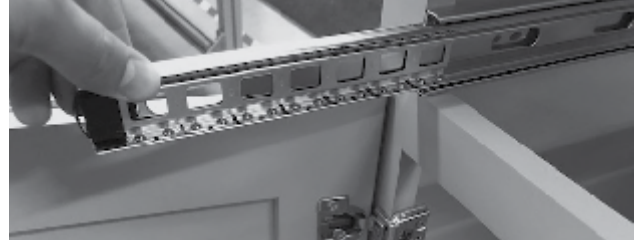


hardware
resources®

Bossier City, LA | www.HardwareResources.com

Install drawer in cabinet

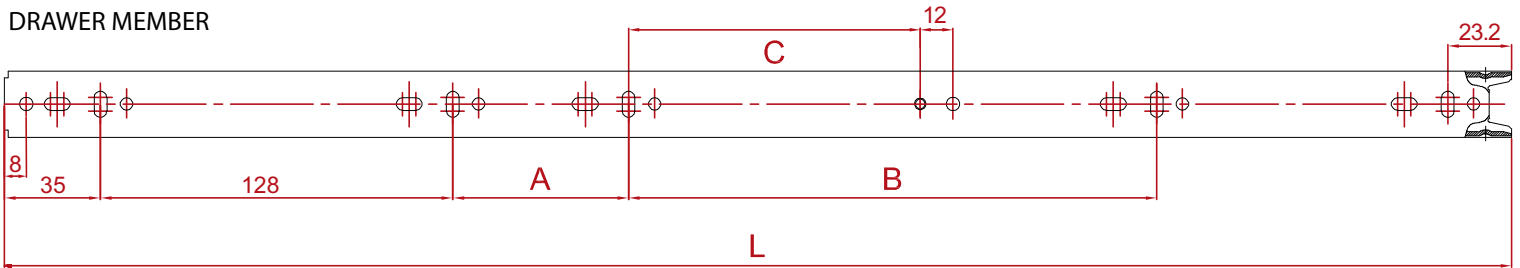
- Before installing the drawer to the cabinet, ensure that the ball bearing cage is located to the front of the cabinet member as shown below. Failure to do so may damage the cabinet member.



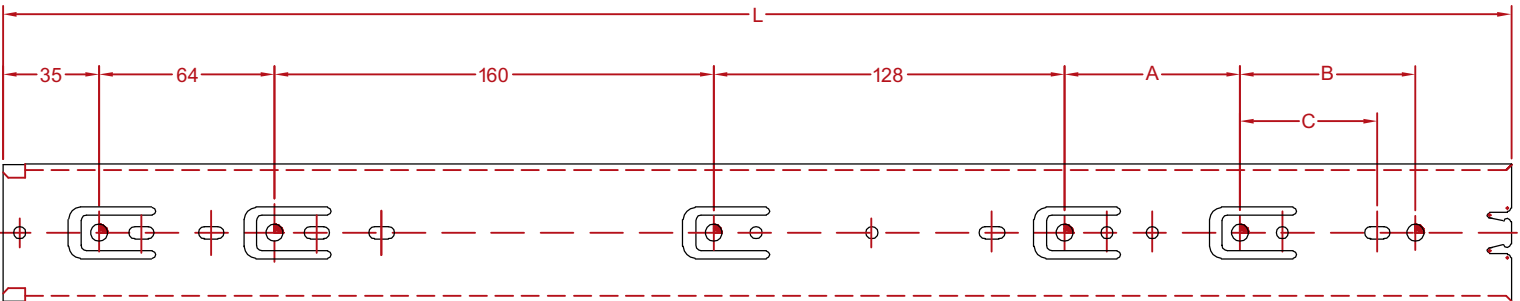
- Carefully insert the drawer members into the cabinet members and slide the drawer all the way back so that the drawer members are fully engaged.
- Cycle the drawer all the way in and back out 4 or 5 times so that the rear brackets are adjusted.

Hole pattern drawings

DRAWER MEMBER



CABINET MEMBER



DRAWER MEMBER

Specifications	L	A	B	C
300FU12 - 12"	298	-	-	60
300FU14 - 14"	348	-	-	98
300FU16 - 16"	398	-	-	124
300FU18 - 18"	448	192	-	146
300FU20 - 20"	498	64	160	106
300FU22 - 22"	548	64	192	106
300FU24 - 24"	598	64	224	156
300FU26 - 26"	648	64	256	168
300FU28 - 28"	698	64	288	193

all measurements shown in millimeters

CABINET MEMBER

Specifications	L	A	B	C	D
300FU12 - 12"	300	136	-	-	-
300FU14 - 14"	350	160	-	-	-
300FU16 - 16"	400	160	64	-	-
300FU18 - 18"	450	160	128	-	-
300FU20 - 20"	500	160	128	-	64
300FU22 - 22"	550	160	128	-	64
300FU24 - 24"	600	160	128	64	64
300FU26 - 26"	650	160	128	96	64
300FU28 - 28"	700	160	128	96	128

all measurements shown in millimeters