

1284 Epoxy-Coated Drawer Slide

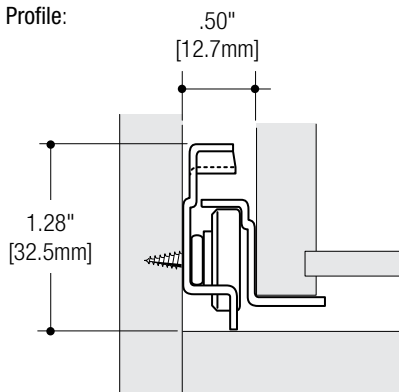


Features

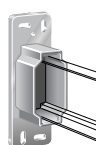
- Positive stop
- Stay close design
- Lift out disconnect
- Recommended maximum drawer width 18"

Mounting: Side
Action: Ball-bearing rollers
Load Rating: 75 lb. class
Height: 1.28" [32.5mm]
Clearance: .50" + .03" - 0" on each side
Finish: Almond (ALM), Brown (BRN), White (WH)

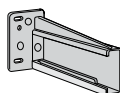
Profile:



Mounting Brackets



1123 PLAS
Plastic Rear
Mounting Bracket



1284-4
Plastic Rear
Mounting Bracket

Product	Pack	Handed
1123 PLAS	500 per carton	—
1284LB-4R	500 brackets per carton	Right
1284LB-4L	500 brackets per carton	Left
1284-4R	200 brackets per carton	Right
1284-4L	200 brackets per carton	Left
1284HP-4R	4 bags of 25	Right
1284HP-4L	4 bags of 25	Left
1284-4WP	25 brackets per carton	Both

Configurations

Bulk (B)	10 pairs per carton without screws		
Poly (P)	1 pair per bag with screws; 10 pairs per carton		
Quantity (Q)	50 pairs per carton without screws; multiple cartons		
1284 Almond (ALM) Finish			
Size	Bulk (B)	Poly (P)	Quantity (Q)
300mm	1284B ALM 300	1284P ALM 300	1284Q ALM 300
350mm	1284B ALM 350	1284P ALM 350	1284Q ALM 350
400mm	1284B ALM 400	1284P ALM 400	1284Q ALM 400
450mm	1284B ALM 450	1284P ALM 450	1284Q ALM 450
500mm	1284B ALM 500	1284P ALM 500	1284Q ALM 500
550mm	1284B ALM 550	1284P ALM 550	1284Q ALM 550
600mm	1284B ALM 600	1284P ALM 600	1284Q ALM 600
650mm	1284B ALM 650	1284P ALM 650	1284Q ALM 650
1284 Brown (BRN) Finish			
300mm	—	—	1284Q BRN 300
350mm	—	—	1284Q BRN 350
400mm	—	—	1284Q BRN 400
450mm	—	—	1284Q BRN 450
500mm	—	—	1284Q BRN 500
550mm	—	—	1284Q BRN 550
600mm	—	—	1284Q BRN 600
650mm	—	—	1284Q BRN 650
1284 White (WH) Finish			
300mm	1284B WH 300	1284P WH 300	1284Q WH 300
350mm	1284B WH 350	1284P WH 350	1284Q WH 350
400mm	1284B WH 400	1284P WH 400	1284Q WH 400
450mm	1284B WH 450	1284P WH 450	1284Q WH 450
500mm	1284B WH 500	1284P WH 500	1284Q WH 500
550mm	1284B WH 550	1284P WH 550	1284Q WH 550
600mm	1284B WH 600	1284P WH 600	1284Q WH 600
650mm	1284B WH 650	1284P WH 650	1284Q WH 650

Recommended Fasteners	KV Part	Finish	Qty	
	#6 x 7/16" Phillips Pan Head	1284-80	Zinc (ZC)	1000
	#6 x 5/8" Phillips Pan Head	8100-93 ZC	Zinc (ZC)	1000

☐ Non-stock item – minimum order quantities and additional lead time may apply.