

8040 Hinged Door Slides



Features

- One piece, non-marring roller
- Permanently staked hinge pin

8040EZ: 3/4" offset hinge

Mounting: Hinge mounts to top of case, and the slide mounts to backside of door

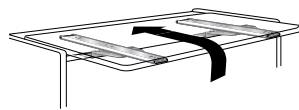
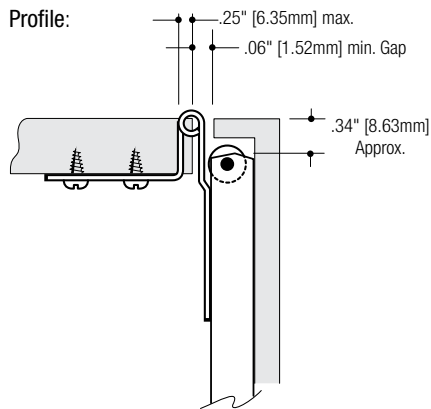
Action: Ball-bearing movement

Load Rating: 20 lb. class

Clearance: .37" [9.5mm] low profile mounts to rear side of door

Finish: Anochrome (ANO), Ebony Black (EB)


Profile:



Up and over application

Configurations

Bulk (B)	10 pairs per carton without screws	
Poly (P)	1 pair per bag with screws; 10 pairs per carton	
8040 Anochrome (ANO) Finish		
Size	Bulk (B)	Poly (P)
12"	8040BEZ 12	8040PEZ 12
14"	8040BEZ 14	8040PEZ 14
16"	8040BEZ 16	8040PEZ 16
18"	8040BEZ 18	8040PEZ 18
20"	8040BEZ 20	8040PEZ 20
22"	8040BEZ 22	8040PEZ 22
24"	8040BEZ 24	8040PEZ 24
8040 Ebony Black (EB) Finish		
12"	8040BEZ EB 12	8040PEZ EB 12
14"	8040BEZ EB 14	8040PEZ EB 14
16"	8040BEZ EB 16	8040PEZ EB 16
18"	8040BEZ EB 18	8040PEZ EB 18
20"	8040BEZ EB 20	8040PEZ EB 20
22"	8040BEZ EB 22	8040PEZ EB 22
24"	8040BEZ EB 24	8040PEZ EB 24

Recommended Fasteners	KV Part	Finish	Qty
 #7 x 1/2" Phillips Pan Head	8500-93	Zinc (ZC)	1000

Non-stock item – minimum order quantities and additional lead time may apply.