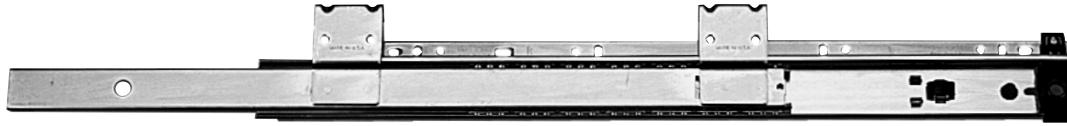


# 8200 3/4 Extension Pencil or Center Drawer Slide



## Features

- Quick disconnect drawer members
- Anti-rebound stay-close design holds pencil drawer in closed position yet allows for easy opening

**Mounting:** Under surface

**Action:** Ball-bearing movement

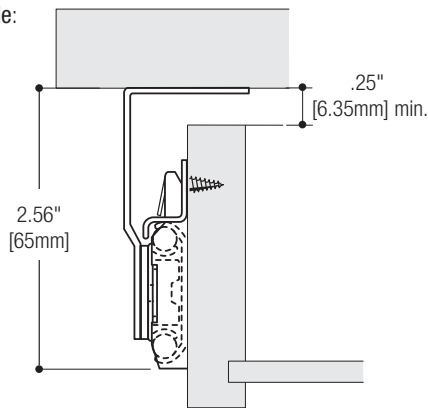
**Load Rating:** 75 lb. class

**Height:** 2.56" [65mm] overall

**Clearance:** 1.62" [41mm] per side out-board  
.62" [15.7mm] per side in-board


**Finish:** Anochrome (ANO), Ebony Black (EB)

**Profile:**



## Configurations

Poly (P)	1 pair per bag with screws; 10 pairs per carton	
Quantity (Q)	20 pairs without screws; multiple cartons	
<b>8200 Anochrome (ANO) Finish</b>		
<b>Size</b>	<b>Poly (P)</b>	<b>Quantity (Q)</b>
12"	8200P 12	8200Q 12
14"	8200P 14	8200Q 14
16"	8200P 16	8200Q 16
18"	8200P 18	8200Q 18
20"	8200P 20	8200Q 20
22"	8200P 22	8200Q 22
24"	8200P 24	8200Q 24
<b>8200 Ebony Black (EB) Finish</b>		
12"	–	8200Q EB 12
14"	–	8200Q EB 14
16"	–	8200Q EB 16
18"	–	8200Q EB 18
20"	–	8200Q EB 20
22"	–	8200Q EB 22
24"	–	8200Q EB 24

Recommended Fasteners		KV Part	Finish	Qty
	#7 x 1/2" Phillips Pan Head	8500-93	Zinc (ZC)	1000

☐ Non-stock item – minimum order quantities and additional lead time may apply.