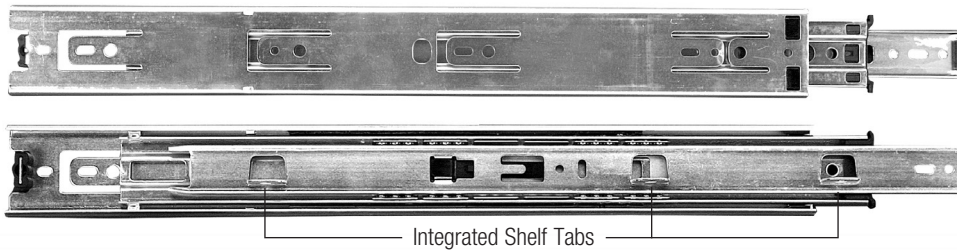


8407 Full Extension Box or File Drawer Slide with Shelf Tabs



Features

- 32mm hole pattern with direct access mounting
- Lever disconnect for easy drawer removal
- Integrated shelf tabs
- Recommended maximum drawer width 24"

Mounting: Side

Action: Telescopic movement on ball-bearings

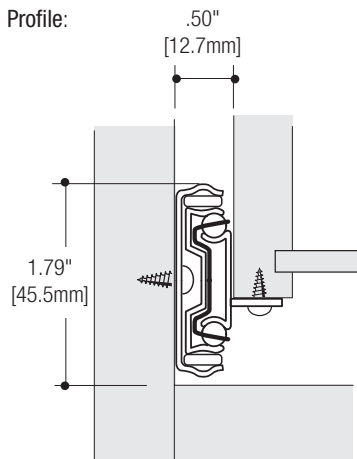
Load Rating: 100 lb. class

Height: 1.79" [45.5mm]

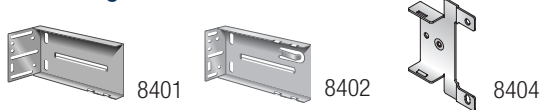
Clearance: .50" + .03" - 0" on each side

Finish: Anochrome (ANO), Ebony Black (EB)

Profile:



Mounting Brackets



Product	Front or Rear	Finish	Pack
8401	Rear	Zinc (ZC)	20 brackets/carton
8402	Rear	Zinc (ZC)	20 brackets/carton
8402BBL	Rear	Zinc (ZC)	400 brackets/carton
8402WP	Rear	Zinc (ZC)	20 brackets/warehouse pack
8404	Front	Zinc (ZC)	20 brackets/carton
8404B	Front	Zinc (ZC)	400 brackets/carton
8404 EB	Front	Ebony Black (EB)	20 brackets/carton
8404BBL	Front	Zinc (ZC)	400 brackets/carton
8404B KIT	Both	Zinc (ZC)	2 [8403] + 2 [8404] + screws

Configurations


Bulk (B)	10 pairs per carton without screws
Poly (P)	1 pair per bag with screws; 10 pairs per carton
Quantity (Q)	50 pairs without screws; multiple cartons

8407 Anochrome (ANO) Finish

Size	Bulk (B)	Poly (P)	Quantity (Q)
10"	8407B 10	8407P 10	8407Q 10
12"	8407B 12	8407P 12	8407Q 12
14"	8407B 14	8407P 14	8407Q 14
16"	8407B 16	8407P 16	8407Q 16
18"	8407B 18	8407P 18	8407Q 18
20"	8407B 20	8407P 20	8407Q 20
22"	8407B 22	8407P 22	8407Q 22
24"	8407B 24	8407P 24	8407Q 24
26"	8407B 26	8407P 26	8407Q 26
28"	8407B 28	8407P 28	8407Q 28

8407 Ebony Black (EB) Finish

14"	8407B EB 14	–	–
16"	8407B EB 16	–	–
18"	8407B EB 18	–	–
20"	8407B EB 20	–	–
22"	8407B EB 22	–	–
24"	8407B EB 24	–	–

Recommended Fasteners	KV Part	Finish	Qty	
	#7 x 1/2" Phillips Pan Head	8500-93	Zinc (ZC)	1000
		8500-93 EB	Ebony Black (EB)	1000

 Non-stock item – minimum order quantities and additional lead time may apply.