



KNAPE & VOGT

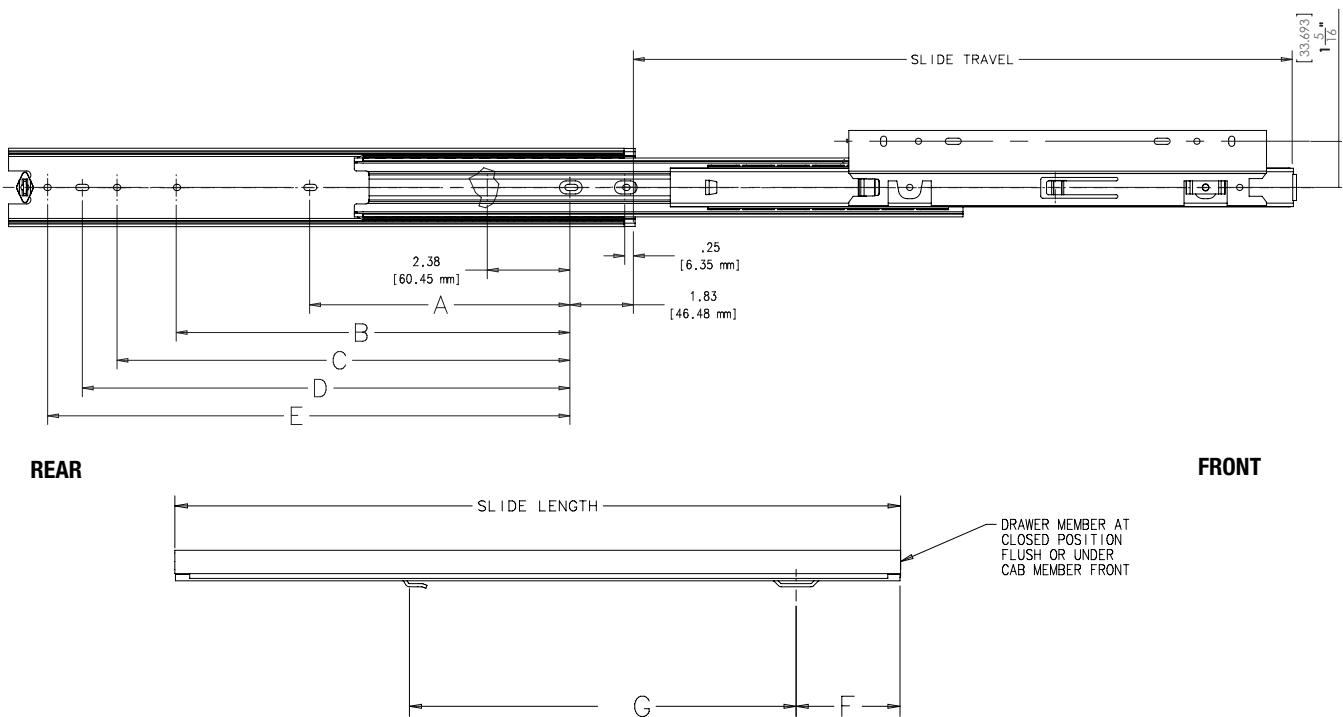
8805

Heavy-Duty, Over-Travel Drawer Slide

Product: Heavy-Duty Over-Travel Drawer Slide
 Mounting: Side - Unhanded Slide and QD Rail
 Clearance: .89" (+.030, -.000)
 Load Rating: 200-Pound Class
 Height: 2-9/32". Slide with QD 2-25/32".
 Finish: Zinc Plated
 Travel: 1" Over-Travel

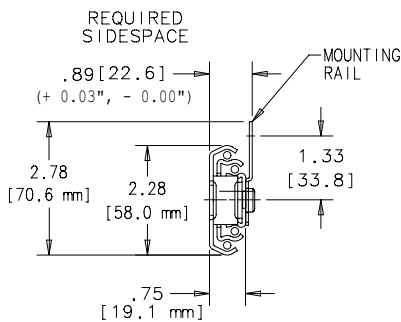
Action: Telescopic
 Hardware: Customer supplied mounting hardware
 # 8 Panhead Wood Screws [Customer to determine length of mounting hardware based on application.]
 Sizes: 12", 14", 16", 18", 20", 22", 24", 26", 28"
 Packaging: Bulk pack (8805B):
 All Sizes4 pair per box
 Mounting hardware not included.
 One set of installation instructions.

KV 8805 Major Dimensions and Mounting Hole Locations



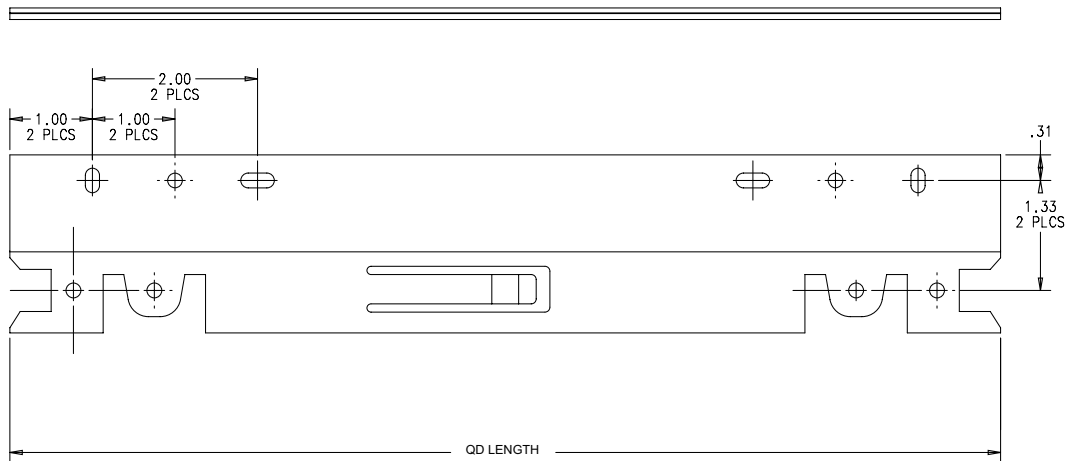
Dimensions in [] are in millimeters

CROSS SECTION



QD LENGTH	SLIDE LENGTH	SLIDE TRAVEL	A	B	C	D	E	F	G
10" [254]	12.00 [305]	13.00 [330]	-	5.33 [135.4]	7.05 [179.1]	8.05 [204.5]	9.05 [229.9]	2.11 [53.5]	7.81 [198.4]
10" [254]	14.00 [356]	15.00 [381]	-	7.33 [186.2]	9.05 [229.9]	10.05 [255.3]	11.05 [280.7]	2.11 [53.5]	7.81 [198.4]
10" [254]	16.00 [406]	17.00 [432]	-	9.33 [237.0]	11.05 [280.7]	12.05 [306.1]	13.05 [331.5]	2.11 [53.5]	7.81 [198.4]
12" [305]	18.00 [457]	19.00 [483]	7.50 [190.5]	11.33 [287.8]	13.05 [331.5]	14.05 [356.9]	15.05 [382.3]	2.61 [66.2]	9.81 [249.2]
12" [305]	20.00 [508]	21.00 [533]	8.50 [215.9]	13.33 [338.6]	15.05 [382.3]	16.05 [407.7]	17.05 [433.1]	2.61 [66.2]	9.81 [249.2]
14" [356]	22.00 [559]	23.00 [584]	9.50 [241.3]	15.33 [389.4]	17.05 [433.1]	18.05 [458.5]	19.05 [483.9]	3.11 [78.9]	11.81 [300.0]
14" [356]	24.00 [610]	25.00 [635]	10.50 [266.7]	17.33 [440.2]	19.05 [483.9]	20.05 [509.3]	21.05 [534.7]	3.11 [78.9]	11.81 [300.0]
17" [432]	26.00 [660]	27.00 [686]	11.50 [292.1]	19.33 [491.0]	21.05 [534.7]	22.05 [560.1]	23.05 [585.5]	3.61 [91.6]	14.81 [376.2]
17" [432]	28.00 [711]	29.00 [737]	12.50 [317.5]	21.33 [541.8]	23.05 [585.5]	24.05 [610.9]	25.05 [636.3]	3.61 [91.6]	14.81 [376.2]

NOTE: This slide must never be used as a pullout step, platform or any other application supporting human weight as injury may result.



Installation Instructions for: 8805 Heavy-Duty, Over-Travel Drawer Slide

For Best Results, Read Instructions First!

These instructions show how to install the KV 8805 Drawer Slide. Please note that improper installation may void the Knap & Vogt Limited Lifetime Warranty.

To install the slides correctly, follow these instructions, use only KV hardware, and make no modifications.

Mounting Instructions

1. Refer to Figure A for cabinet mounting hole locations. Use #8 panhead screws (not included) to secure slide to cabinet. Use horizontal mounting holes first to allow for slide adjustments.

2. Refer to Figure B for drawer mounting hole locations. Use #8 panhead screws (not included) to QD rail to drawer. Use vertical-mounting holes first to allow for adjustments.

3. Extend slides fully and insert drawer by lowering the rear of the QD rail into "bayonet" tab (Figure C) and lower the front of the drawer into the "belt-loop" pocket. The lock tab will snap into place when drawer is properly inserted. Cycle slides to determine if any adjustments are needed before securing the slide to the cabinet and the disconnect rail to the drawer. Note: A minimum of 4 screws must be used to secure each slide to cabinet and each disconnect bracket to drawer (minimum of 16 screws).

4. To remove drawer extend slides fully and press in lock tab from the outside and lift drawer from the front. Note: Make sure the contents of the drawer are emptied before removing the drawer.

Figure A

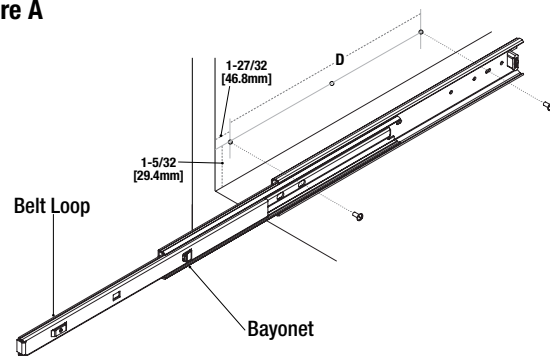


Figure B

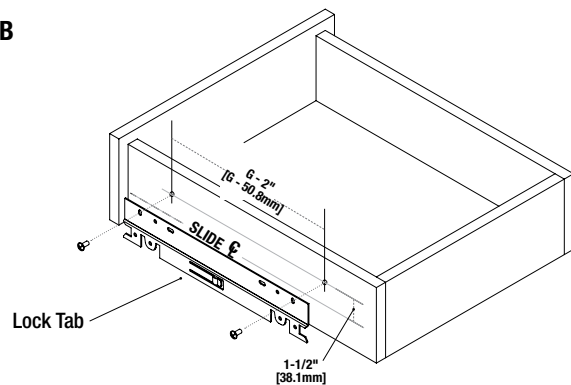


Figure C

