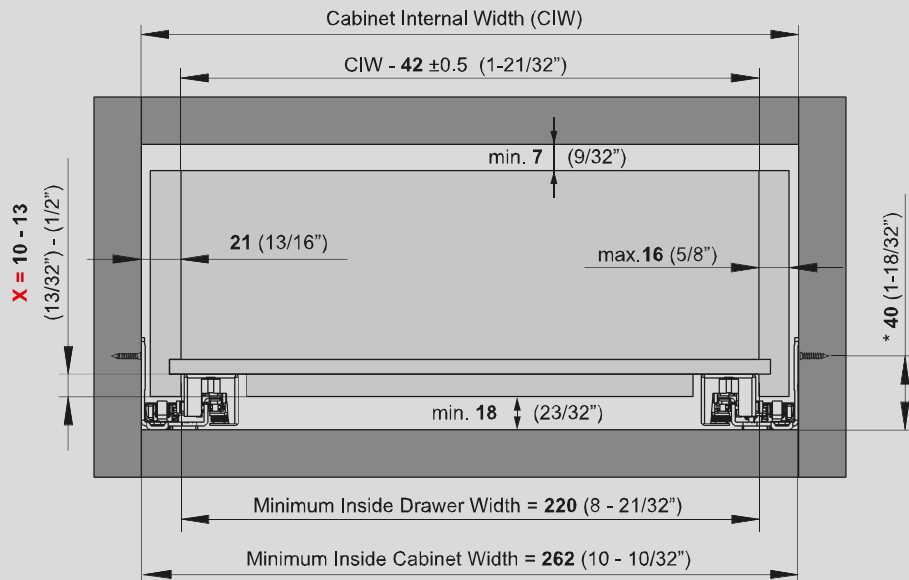


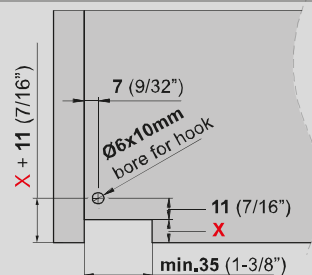
Drawer and Cabinet Dimensions

Face frame application



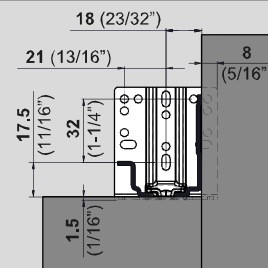
In frameless bottom mounting application minimum height of screw center should be () min. 42mm (1- 21/32")

Drawer Back Preparation



X = 10 - 13mm
X = (13/32") - (1/2")

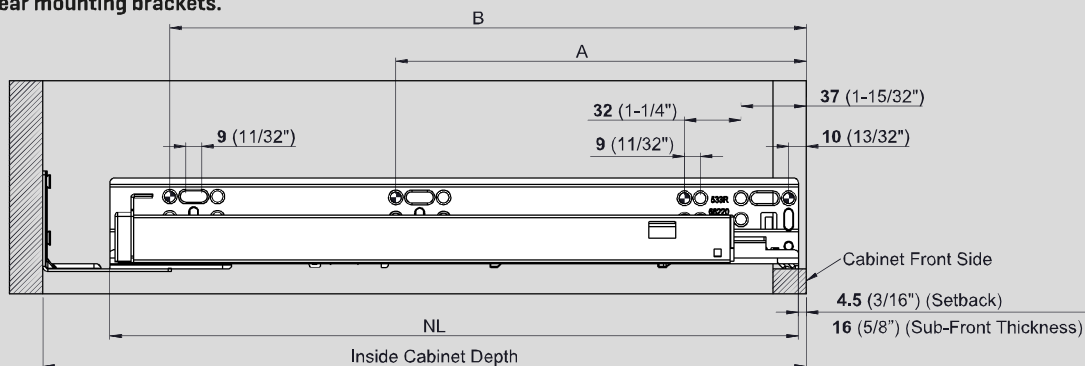
Rear Mounting Bracket



Note: Use a minimum of three screws per bracket.

Slide Mounting Specifications

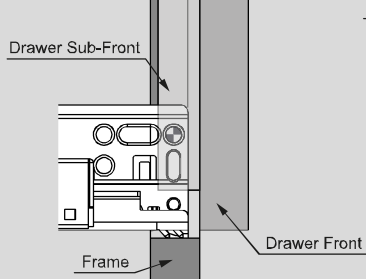
Compatible with metal rear mounting brackets.



Drawer Length	Inside cabinet depth with rear attachment		Slide Length (NL)	Screw locations for frameless cabinets	
	Max	Min		A	B
229 (9")	310 (12-7/32")	270 (10-5/8")	261 (10-9/32")	133 (5-7/32")	229 (9")
305 (12")	368 (14-1/2")	328 (12-29/32")	319 (12-9/16")	165 (6-1/2")	261 (10-9/32")
381 (15")	444 (17-1/2")	404 (15-29/32")	395 (15-9/16")	165 (6-1/2")	357 (14-1/16")
457 (18")	520 (20-1/2")	480 (18-29/32")	471 (18-17/32")	261 (10-9/32")	453 (17-27/32")
533 (21")	597 (23-1/2")	557 (21-15/16")	548 (21-9/16")	261 (10-9/32")	517 (20-3/8")

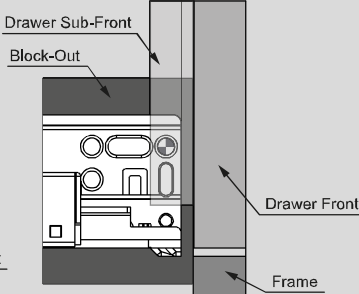
Runner Setback for Standard Drawer (See Standard Drawer Table)

Trial Recommended



Runner Setback for Inset Drawer (See Inset Drawer Table)

Trial Recommended



Runner Setback (Standard Drawer)

Setback		
Sub-Front Thickness	13 (1/2")	1.5 (1/16")
	16 (5/8")	4.5 (3/16")
	19 (3/4")	7.5 (5/16")

Runner Setback (Inset Drawer)

Setback				
Sub-Front Thickness	13 (1/2")	17.5 (11/16")	20.5 (13/16")	23.5 (15/16")
	16 (5/8")	20.5 (13/16")	23.5 (15/16")	26.5 (1-1/32")
	19 (3/4")	23.5 (15/16")	26.5 (1-1/32")	29.5 (1-5/32")
		16 (5/8")	19 (3/4")	22 (7/8")
Drawer Front Thickness				

Milimeter to inch Conversation Chart

1	1.5	2	3	4	5	5.5	6	7	8	9	9.5	10	11	12	13	13.5	14	15	16	17	17.5	18	19	20	20.5	21	22	23	24	24.5	25.4
1/32	1/16	3/32	1/8	5/32	3/16	7/32	1/4	9/32	5/16	11/32	3/8	13/32	7/16	15/32	1/2	17/32	9/16	19/32	5/8	21/32	11/16	23/32	3/4	25/32	13/16	27/32	7/8	29/32	15/16	31/32	1

smart slide full-fit | Power

