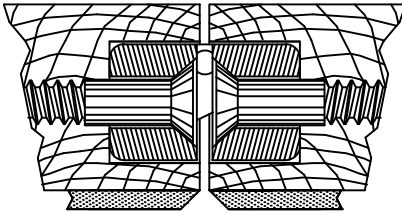
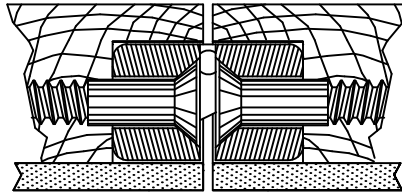


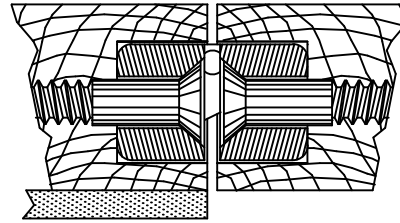
180 DEGREE OPENING - STANDARD BACKSET WITH MATERIAL APPLIED TO DOOR & FRAME



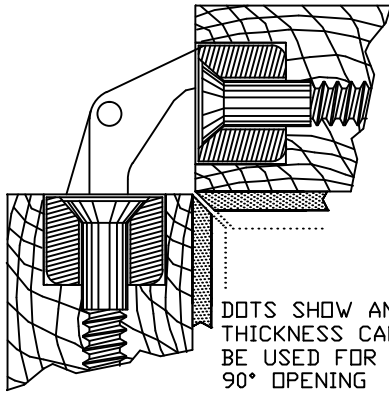
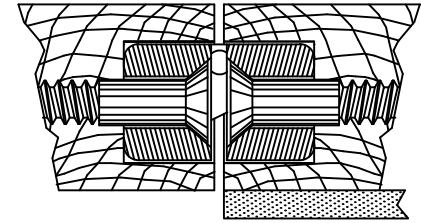
180 DEGREE OPENING WITH NO BACKSET AND MATERIAL APPLIED TO DOOR & FRAME



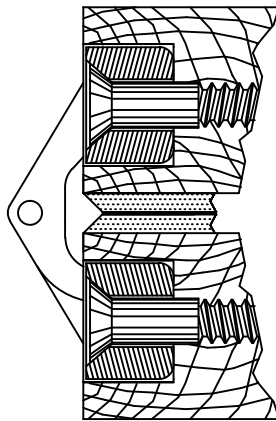
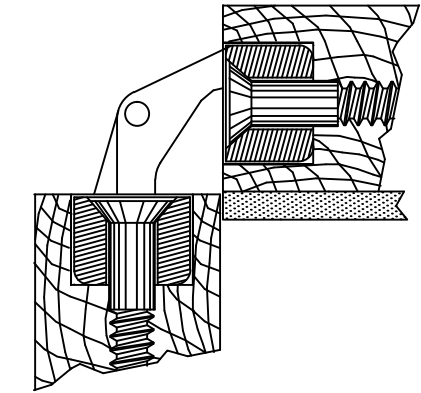
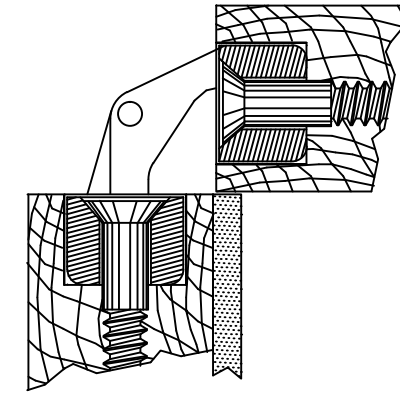
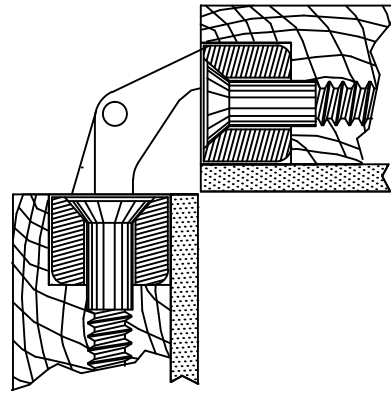
90 DEGREE OPENING - STANDARD BACKSET WITH MATERIAL APPLIED TO DOOR ONLY



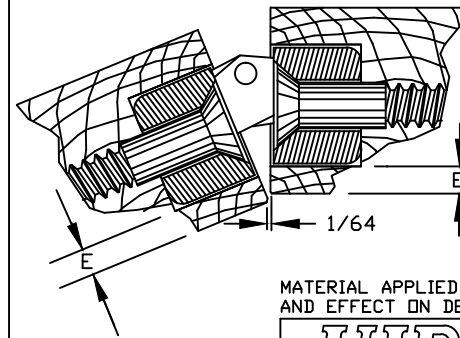
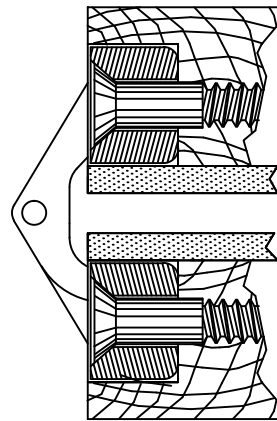
90 DEGREE OPENING - STANDARD BACKSET WITH MATERIAL APPLIED TO FRAME ONLY



DOTS SHOW ANY THICKNESS CAN BE USED FOR 90° OPENING



A 45° BEVEL ON APPLIED MATERIAL, WITH A THICKNESS LESS THAN HALF THE MAX. DOOR CLEARANCE, WILL PROVIDE 180° DOOR OPENING. SEE HINGE TEMPLATE DRAWING FOR DOOR CLEARANCE AT 180 DEGREE OPENING.



CLEARANCE REDUCES TO APPROXIMATELY 1/64 INCH AS DOOR APPROACHES THE FRAME UPON OPENING. BEYOND THAT POINT THE CLEARANCE INCREASES TO THE MAXIMUM CLEARANCE WHEN THE DOOR REACHES IT'S FULLY OPEN POSITION AT 180 DEGREES. SEE THE HINGE TEMPLATE DRAWING FOR THAT DIMENSION. IF THE TEMPLATE 'E' DIMENSION IS EXCEEDED THE DOOR WILL HIT THE JAMB AND BIND. SEE HINGE CATALOG FOR DIMENSION 'E'.

MATERIAL APPLIED TO DOOR AND/OR FRAME AND EFFECT ON DEGREE OF DOOR OPENING

UIP ©Copyright 2008 Universal Industrial Products, Inc. One Coreway Drive Pioneer, Ohio 43554-0628	SCALE: NONE
	DRAWN BY: NNM
SOSS INVISIBLE HINGE	DATE: 5/01/11
OPFN CI FARANCF DFTATI	DRAWING #4477-C

DO NOT SCALE DRAWING