



BROAN™ Fresh In Basic
FIN-180B

30-180 CFM at 0.2 in. w.g.
30-170 CFM at 0.4 in. w.g.

The Broan Fresh In series is a quiet and effective supply air solution for hot and mixed climates, offering renewed fresh air comfort. Thanks to its ECM motor, the Basic FIN-180B model delivers energy-efficient continuous ventilation at a constant airflow in typical installations. Designed to be the most versatile, reliable and energy-efficient supply fan on the market, it can also be installed horizontally, vertically, upside down, or flush to the ceiling.

Mechanical components

- High efficiency ECM motor
- Constant airflow blower designed to maintain the selected airflow in standard installations
- Silent ventilation with balanced metallic dual inlet blower wheel
- Spring loaded damper
- Blower efficiency as high as 12.4 CFM/W
- Protection grill for blower

Electronic features

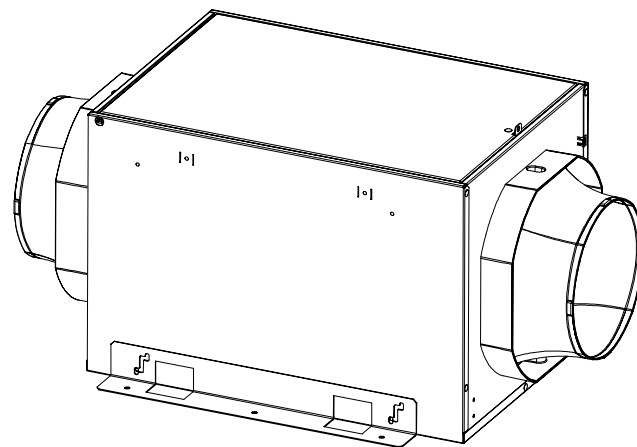
- Adjustable speed from 30 to 180 CFM in 10 CFM increments

Other features

- Offers the greatest reduction of HERS score compared to CIF solutions or PSC motors
- High density EPS Insulation
- Metal housing
- Filtration
- Robust design

Installation features

- Five installation possibilities: ceiling hung, flush to ceiling, attic mounted, ceiling mounted and wall mounted
- Paintable door and frame
- Compact and designed to fit between 12-in. cc joists
- 6-in. diameter ports with integrated test ports and bumps to maintain tie-trap in place
- 6-ft power cord
- Easy maintenance : can be done within 5 minutes through the access door



Options

- 9.25" x 9.25" x 2" MERV 8 filter
- 9.25" x 9.25" x 2" MERV 13 filter
- Paintable decorative finishing ring for discreet installation

Warranty

The BROAN™ Fresh In Basic is protected by a 5-year warranty on parts only.

Requirements and standards

When properly installed and set, this unit is:

- ENERGY STAR rated
- HVI certified
- ASHRAE 62.2 2010, 2016, IRC/IMC compliant
- ETL Listed. Conforms to UL 507

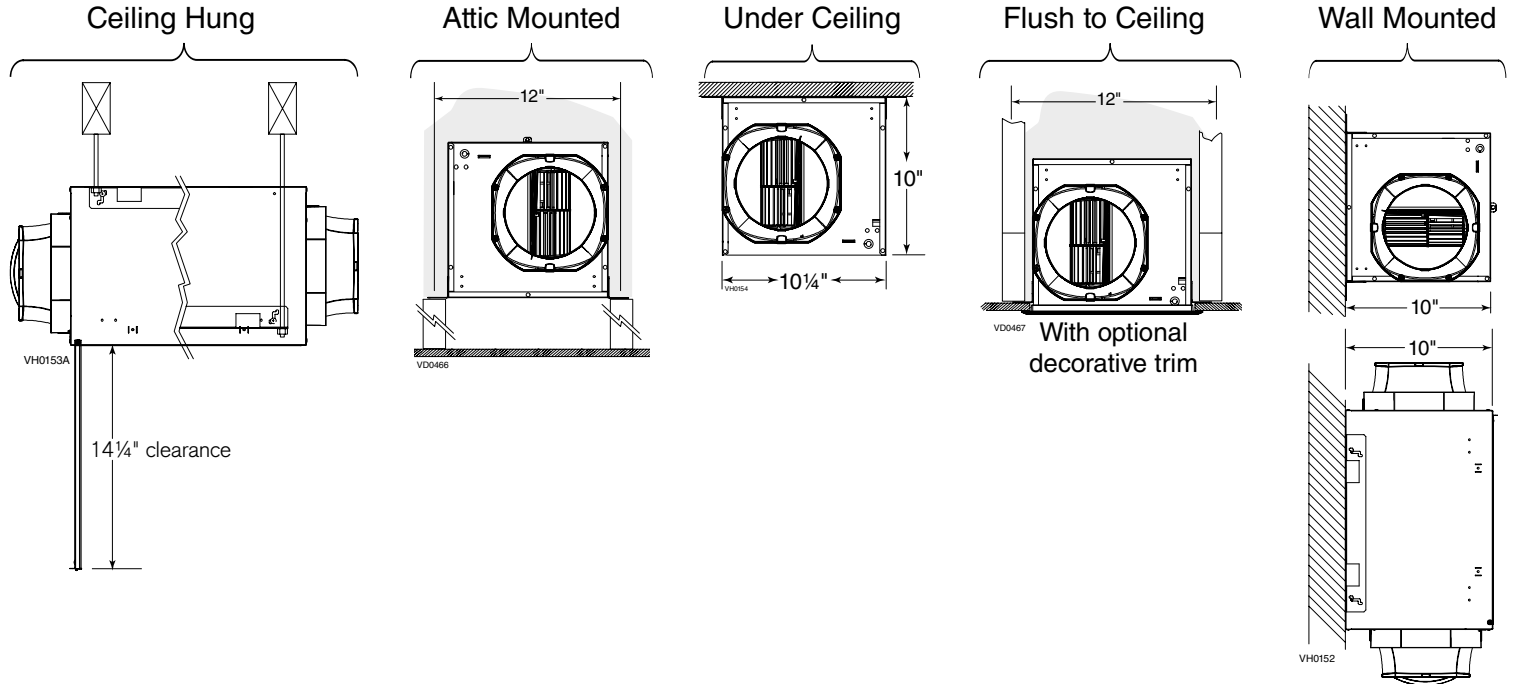
Characteristics

Noise level	0.65 sone at 130 CFM
Weight	11 lb.
Shipping weight	14.5 lb.
Ports diameter	6 in.
Width	10 ¼ in.
Length	14 ¾ in. (without ports)
Height	10 in.
Min. operating temperature	14°F



Mounting options

Can be installed as a stand alone unit or connected to the return ducting of an AHU.



Electricity Consumption

Airflow setting (CFM)		30		60		90			120			180		
Static Pressure (in. w. g.)		0.1	0.2	0.1	0.2	0.1	0.2	0.4	0.1	0.2	0.4	0.1	0.2	0.4
Main Filter	Power (Watts)	4.8	6.8	7.0	8.9	7.8	10.8	19.0	9.7	14.4	22.5	22.0	27.0	37.7
	Efficiency (CFM/Watts)	6.3	4.4	8.6	6.7	11.5	8.3	4.7	12.4	8.3	5.3	8.2	6.7	5.3
MERV 13	Power (Watts)	5.2	7.2	7.4	10.8	11.3	15.2	22.7	17.0	21.2	N/A	32.5	37.0	N/A
	Efficiency (CFM/Watts)	5.8	4.2	8.1	5.6	8.0	5.9	4.0	7.1	5.7	N/A	5.5	4.9	N/A

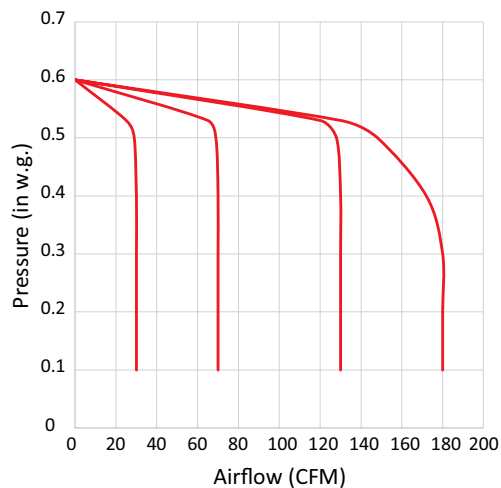
Factory Setting: 80 CFM

120 VAC, 60 Hz, 0.7 Amp

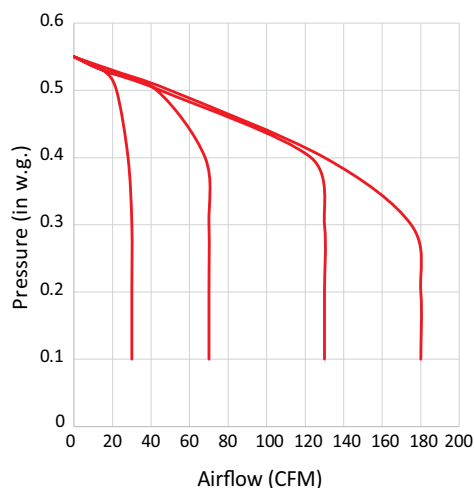
Fan Curve Examples

Airflow fully adjustable from 30 to 180 CFM.

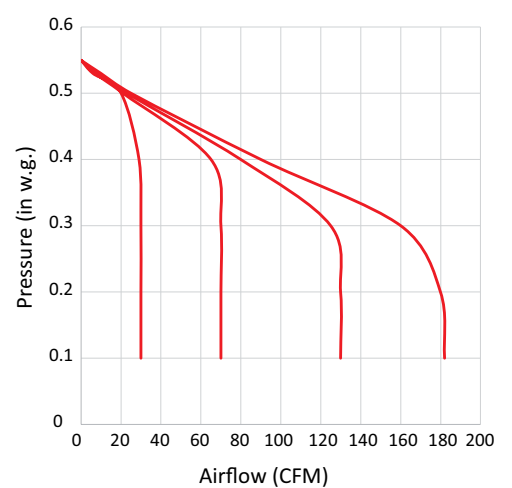
Fan curves at maximum speed with main filter



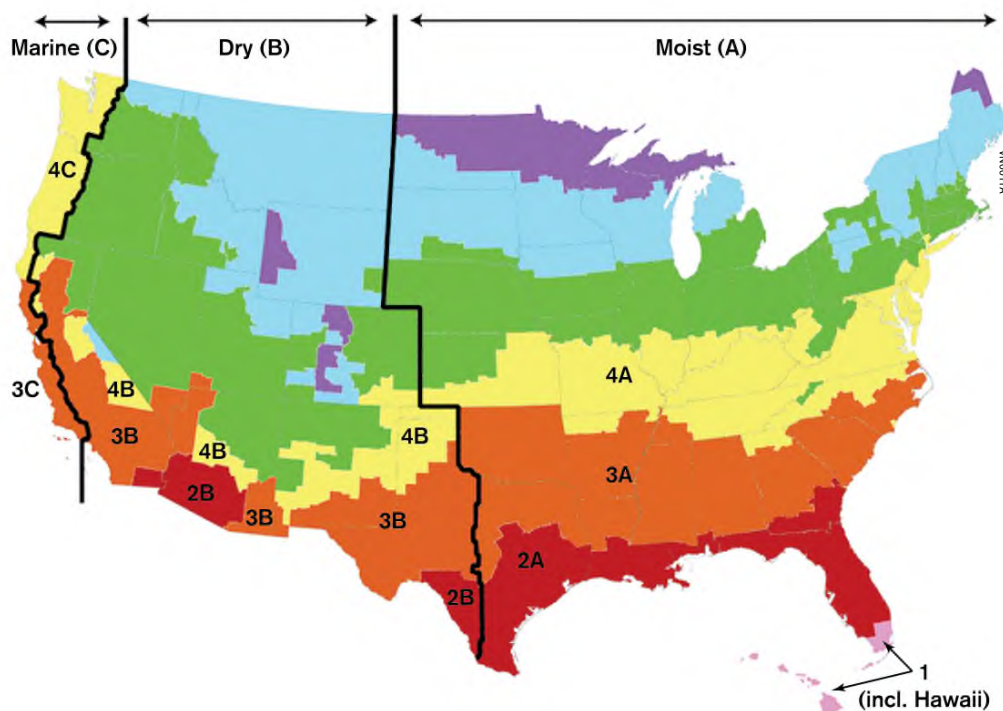
Fan curves at maximum speed with MERV 8 filter



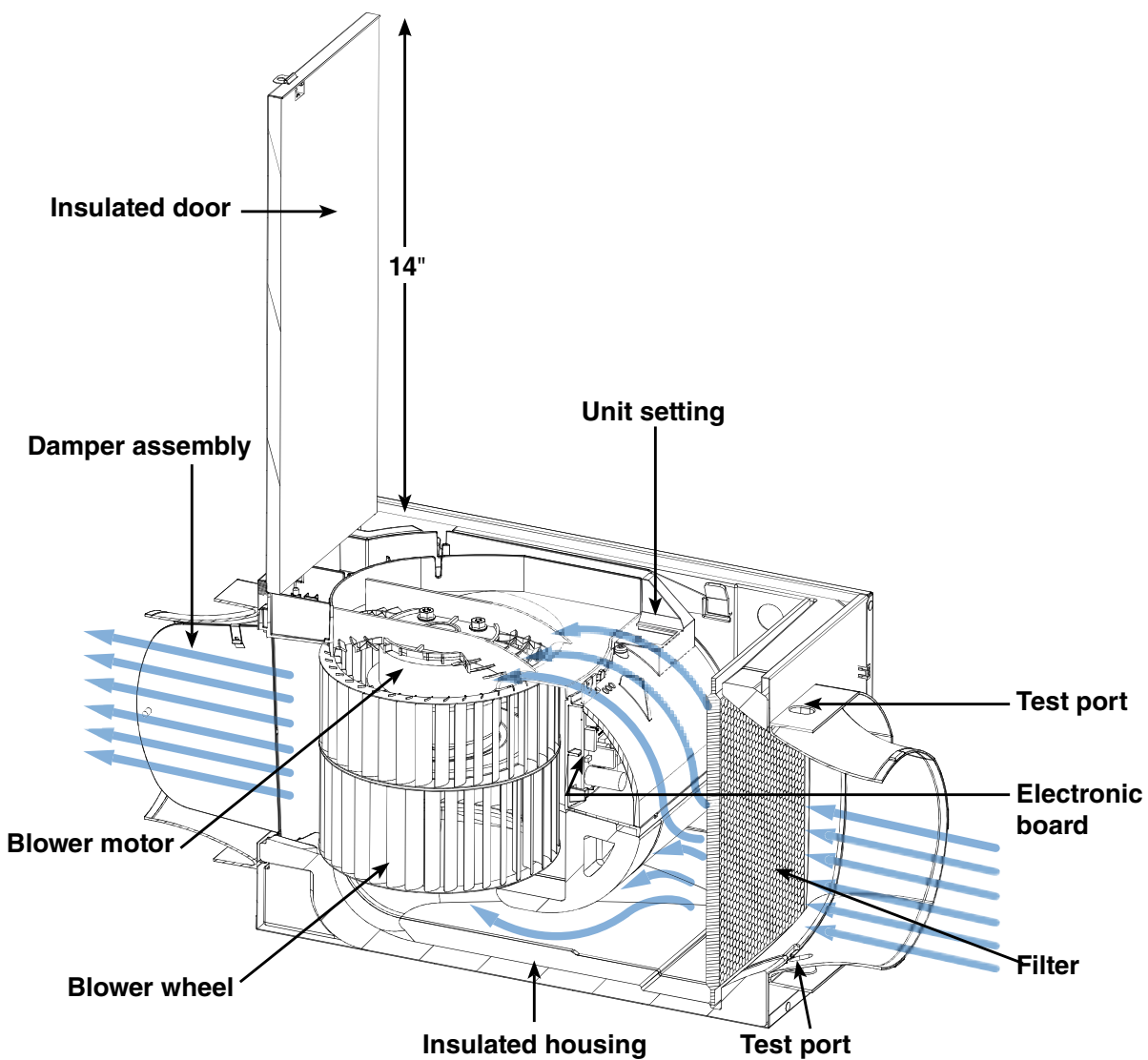
Fan curves at maximum speed with MERV 13 filter



Installation Zones



Installation allowed in zones 1-4. Refer to the installation instructions for more details.



A&E Specs

Performance Requirements

- Unit's blower shall be designed to maintain a constant airflow in typical installations
- Noise level shall be lower than 0.65 sone at 130 CFM, 0.2 in w.g.
- Unit speed shall be selectable from 30 to 180 CFM in 10 CFM increments.
- Backdraft damper shall have a magnet to prevent flickering and stay closed during door blower test.
- Unit's blower efficiency shall be at least 8.3 CFM/W at 120 CFM, 0.2 in. w.g.
- Unit shall be equipped with test ports to allow airflow measurement.
- Unit shall have an access door that allows quick and easy maintenance of all parts.

Construction Requirements

- Blower wheel shall be metallic.
- Unit shall have an ECM motor.
- Backdraft damper shall be integrated to the unit.
- The unit's blower shall be protected by a grill.
- Filter shall be accessible without a tool.
- Unit's housing and door shall be paintable and made of 24 ga galvanized steel.
- Unit shall include a washable metallic filter.
- Unit shall allow 2-in. thick MERV filters in option.
- Unit shall be equipped with a power cord at least 5.5-ft long with NEMA 5-15P and an integrated strain relief.
- Unit's width shall not exceed 10.25".
- Unit's height shall not exceed 10".
- Unit's housing's length shall not exceed 14.75".
- Unit's weight shall not exceed 12 pounds.

Quality Requirements

- All plastic parts in the airflow shall be UL94 HB fire rated.
- Electrical enclosure shall be in plastic to prevent condensation and UL94 5VA fire rated.
- Unit's housing shall be insulated and not show any thermal bridge to the metallic housing.
- Unit's insulation shall be made of expanded polystyrene and UL94 HF-2 fire rated.
- Unit shall be protected by a 5-year warranty.
- Unit shall be ENERGY STAR and HVI rated.
- Unit shall be ASHRAE 62.2 2010 and 2016 IRC/IMC compliant.
- Unit shall be certified by an independent laboratory.
- Manufacturer shall be ISO 9001-2015.
- Manufacturing plant shall be located in North America.

Installation requirements

- Unit shall fit between 12-in. cc joists.
- Unit shall be designed to be connected with central ventilation or to be used in a standalone installation.
- Unit shall be suitable for ceiling hung, ceiling mounted, attic mounted, wall mounted and flush-to-ceiling installation.
- Unit shall be designed to be installed in any orientation.
- Unit's ports shall be 6-in. round with bumps to maintain a tie-wrap in place.