



**BROAN™ Fresh In Premium
FIN-180P**

180 CFM at 0.2 in. w.g.

170 CFM at 0.4 in. w.g.

Complies with code requirements from 25 CFM to 180 CFM

The Broan Fresh In series is an effective supply air solution for hot and mixed climates. No matter how dry or humid your local conditions, they're no match for the fresh air comfort of Fresh In. The Premium FIN-180P model delivers energy-efficient ventilation in compliance with local building codes. Designed for flexible installation, your Fresh In unit can be installed horizontally, vertically, upside down, or flush to the ceiling and will deliver constant airflow in typical installations, thanks to its ECM motor. Better yet, the premium Fresh In model comes with five preset comfort modes, so you can choose the perfect setting for your home and local conditions. A sophisticated algorithm selects the best time of the day for ventilation and takes advantage of air handler usage, making Fresh In the most intelligent, versatile, reliable and energy-efficient supply fan on the market.

Mechanical components

- High efficiency ECM motor
- Constant airflow blower designed to maintain the selected airflow in standard installations
- Silent ventilation with balanced metallic dual inlet blower wheel
- Motorized damper
- Blower efficiency as high as 9.7 CFM/W
- Protection grill for blower

Advanced electronic features

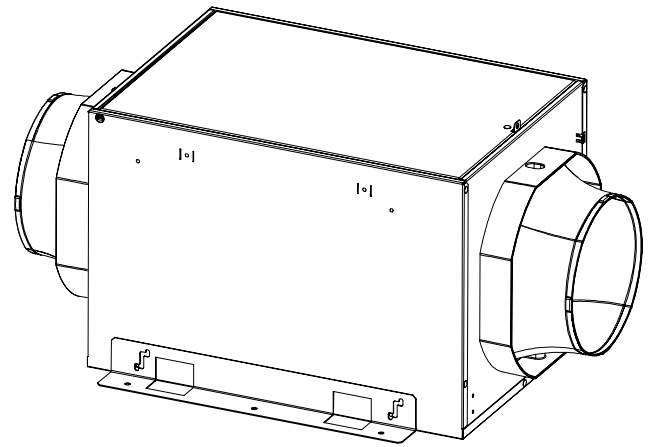
- Learns from the AHU's operation patterns and the climate variations to provide optimal efficiency
- Eight operation modes: 3 code-compliant modes and 5 comfort and energy-saving modes
- Temperature and humidity sensor
- Temperature and humidity limit settings
- Two possible speeds at set up (130 & 180 CFM)

Other features

- Offers the greatest reduction of HERS score compared to CIP solutions or PSC motors
- High density EPS Insulated housing
- Metal housing
- Filtration
- Robust design

Installation features

- Unequaled installation flexibility: stand alone or combined to an AHU; ceiling hung, attic, flush to ceiling, ceiling mounted, wall mounted
- Paintable door and frame
- Compact and designed to fit between 12-in. c.c. joists
- 6-in. diameter ports with integrated test ports and bumps to maintain tie-trap in place
- 6-ft power cord
- Easy maintenance : can be done within 5 minutes through the access door
- Powered from AHU 24 VAC (R,C) (or low voltage transformer)
- Connected to thermostat (W, Y, G)



Options

- VT11W Wall Control that offers an ON/OFF function and a filter maintenance reminder
- 9.25" x 9.25" x 2" MERV 8 filter
- 9.25" x 9.25" x 2" MERV 13 filter
- Paintable decorative finishing ring for discreet installation

Warranty

The BROAN™ Fresh In Premium is protected by a 5-year warranty on parts only.

Requirements and standards

When properly installed and set, this unit is:

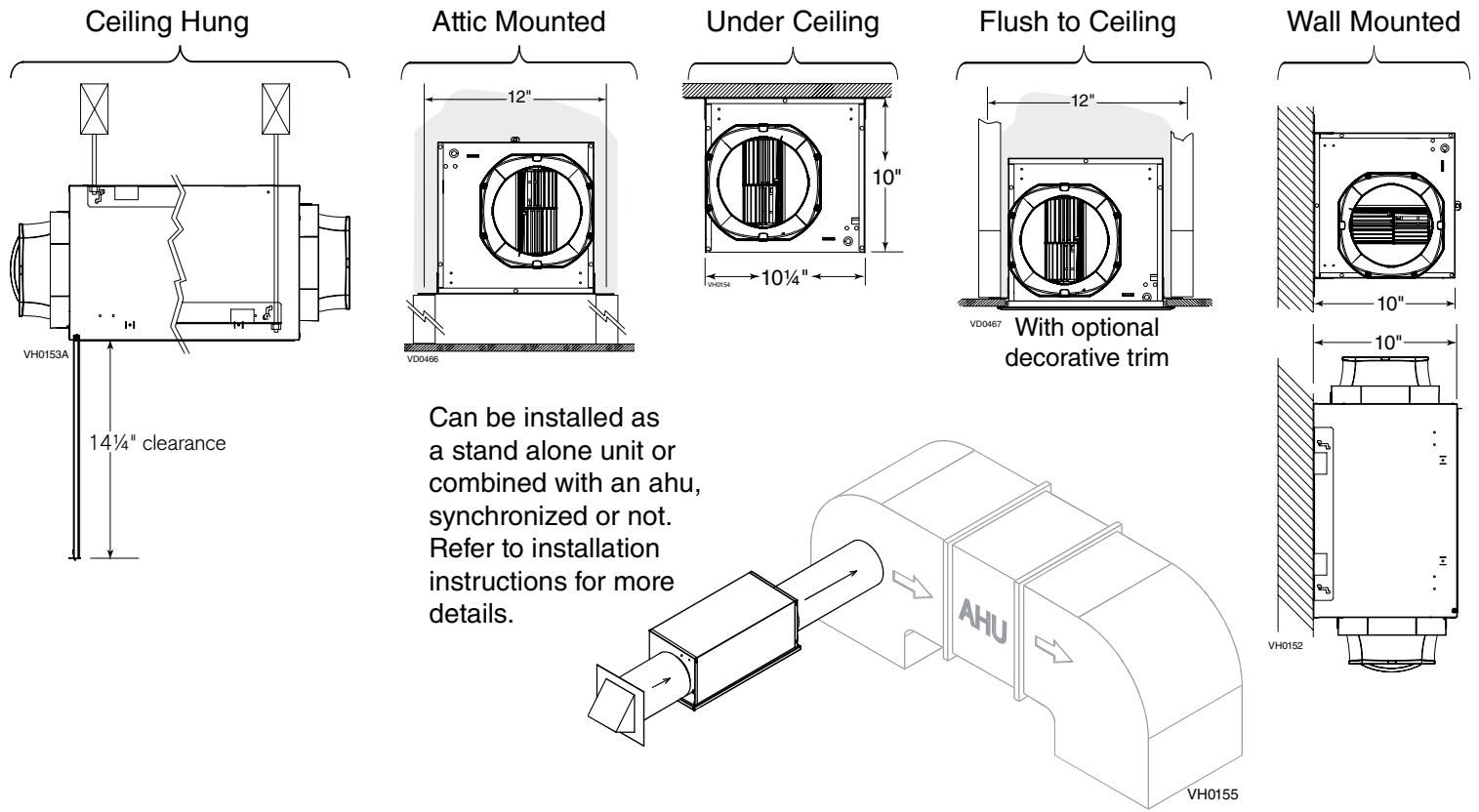
- ENERGY STAR rated
- HVI certified
- ASHRAE 62.2 2010, 2016, IRC/IMC compliant
- ETL Listed. Conforms to UL 507

Characteristics

Noise level	0.65 sone at 130 CFM
Weight	11 lb.
Shipping weight	14.5 lb.
Ports diameter	6 in.
Width	10 ¼ in.
Length	14 ¾ in. (without ports)
Height	10 in.
Speeds	130 CFM or 180 CFM includes a time-based adjustment
Min. operating temperature	14°F

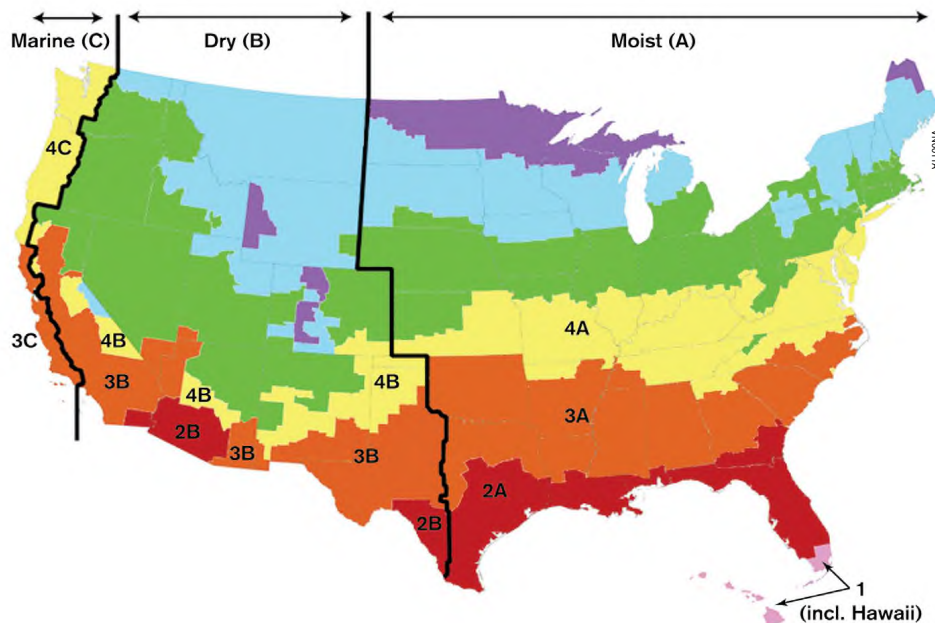


Mounting options



Limits Table

Selected mode	Installation Zones	No thermostat Call				Thermostat Heating Call		Thermostat Cooling Call		
		Lower limits (F)		Upper limits (F)		Lower limits (F)	Upper limits (F)	Lower limits (F)	Upper limits (F)	
		T°	Dew point	T°	Dew point	T°	Dew point	T°	Dew point	
1 - Ashrae 2016	N/A	14				14				
2 - Ashrae 2010 (factory setting)	N/A	14	Code compliant – no limits				14	Code compliant – no limits		
3 - IRC / IMC 2012-2015	N/A	14					14			
A - Comfort mode Hot / Humid #1	2A, 1	40	23	88	73	32	14	96	78	
B - Comfort mode Hot / Humid #2	1, 2A	40	23	90	75	32	14	98	80	
C - Comfort mode Hot / Dry	2B	40	23	95	75	32	14	102	85	
D - Comfort mode Mixed / Humid	3A, 4A, 3C, 4C	40	23	85	75	32	14	90	80	
E - Comfort mode Mixed / Dry	3B, 4B	40	23	86	75	32	14	95	80	



Details & Performance

Electricity Consumption

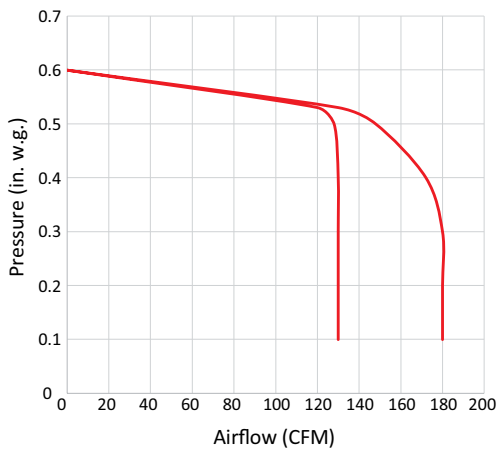
Airflow setting (CFM)		130			180		
Static Pressure (in. w. g.)		0.1	0.2	0.4	0.1	0.2	0.4
Main Filter	Power (Watts)	13.4	18.2	26.5	23.5	28.2	40.0
	Efficiency (CFM/Watts)	9.7	7.1	4.9	7.7	6.4	4.9
MERV 13	Power (Watts)	20.1	25.0	N/A	33.4	38.7	N/A
	Efficiency (CFM/Watts)	6.5	5.2	N/A	5.4	4.7	N/A

Factory setting : 130 CFM, 60 % Run time, Mode 2

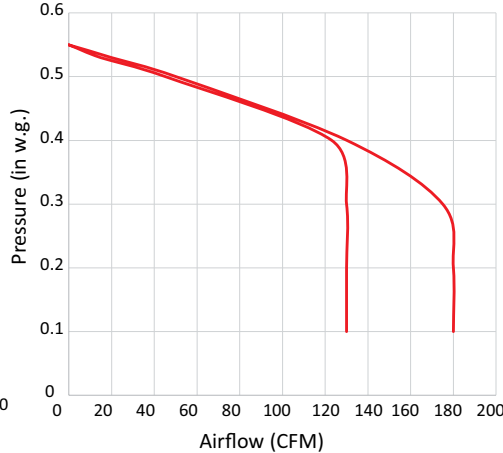
120 VAC, 60 Hz, 0.7 Amp

Airflow adjustable at 130 or 180 CFM.

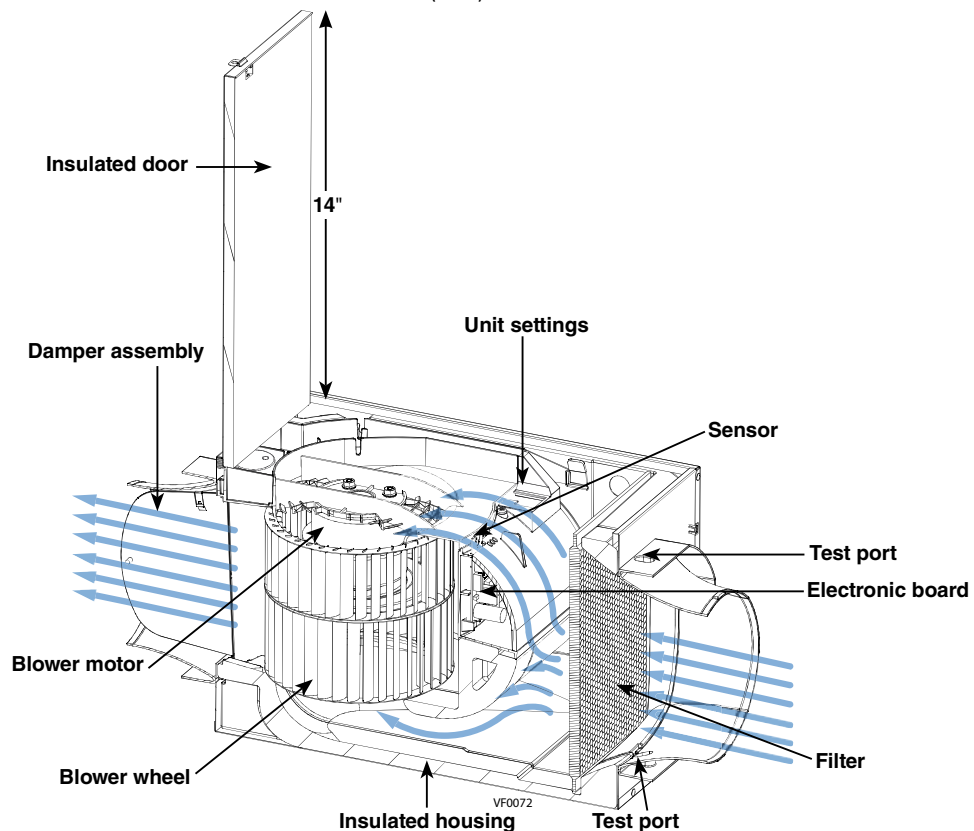
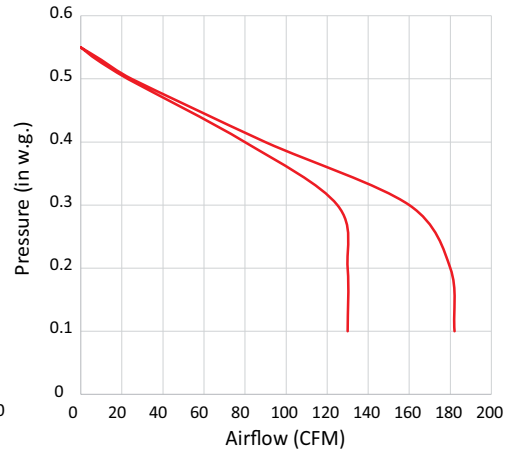
Fan curves at maximum speed with main filter



Fan curves at maximum speed with MERV 8 filter



Fan curves at maximum speed with MERV 13 filter



A&E Specs

Performance Requirements

- Unit's blower shall be designed to maintain a constant airflow in typical situations
- Noise level shall be lower than 0.65 sone at 130 CFM, 0.2 in w.g.
- Unit speed shall be selectable at 130 or 180 CFM.
- Backdraft damper shall be motorized.
- Unit's blower efficiency shall be at least 7.7 CFM/W at 130 CFM, 0.1 in. w.g.
- Unit shall be equipped with test ports to allow airflow measurement.
- Unit shall have an access door that allows quick and easy maintenance of all parts.

Intelligence Requirements

- Unit shall measure temperature and dew point every hour and keep the data of the last 48 hours in memory.
- Unit shall be capable of measuring the operating time of heating and cooling operation from the thermostat and keep the data of the last 48 hours in memory.
- Unit shall offer an optional control that includes an ON/OFF function and a filter maintenance reminder.
- Unit shall be able to stop ventilation when temperature or dew point is outside the preset limits.
- Unit's preset limits shall be different when heating/cooling is operating than when heating/cooling is not operating.

Construction Requirements

- Blower wheel shall be metallic.
- Unit shall have an ECM motor.
- Motorized damper shall be integrated to the unit.
- The unit's blower shall be protected by a grill.
- Filter shall be accessible without a tool.
- Unit's housing and door shall be paintable and made of 24 ga galvanized steel.
- Unit shall include a washable metallic filter.
- Unit shall allow 2-in. thick MERV filters in option.
- Unit shall be equipped with a power cord at least 5.5-ft long with NEMA 5-15P and an integrated strain relief.
- Unit's width shall not exceed 10.25".
- Unit's height shall not exceed 10".
- Unit's housing's length shall not exceed 14.75".
- Unit's weight shall not exceed 12 pounds.

Quality Requirements

- All plastic parts in the airflow shall be UL94 HB fire rated.
- Electrical enclosure shall be in plastic to prevent condensation and UL94 5VA fire rated.
- Unit's housing shall be insulated and not show any thermal bridge to the metallic housing.
- Unit's insulation shall be made of expanded polystyrene and UL94 HF-2 fire rated.
- Unit shall be protected by a 5-year warranty on parts.
- Unit shall be ENERGY STAR and HVI rated.
- Unit shall be ASHRAE 62.2 2010 and 2016 IRC/IMC compliant.
- Unit shall be certified by an independent laboratory.
- Manufacturer shall be ISO 9001-2015.
- Manufacturing plant shall be located in North America.

Installation requirements

- Unit shall fit between 12-in. cc joists.
- Unit shall be designed to be connected with central ventilation or to be used in a standalone installation.
- Unit shall be suitable for ceiling hung, ceiling mounted, attic mounted, wall mounted and flush-to-ceiling installation.
- Unit shall be designed to be installed in any orientation.
- Unit's ports shall be 6-in. round with bumps to maintain a tie-wrap in place.